



PIAGGIO & C.s.p.a.



SPARE PARTS CATALOGUE



California EV (V11 EV Usa) 1100 1997-2000

Chassis prefix: ZGUKD

Engine prefix:

CALIFORNIA

GU021



Index

| | |
|---|----|
| Products..... | 4 |
| Part reference..... | 11 |
| FRAME..... | 19 |
| Drawing 33.01 - Top box..... | 19 |
| Drawing 33.02 - Side cases..... | 20 |
| Drawing 33.03 - Stands..... | 21 |
| Drawing 33.04 - Transmission complete..... | 23 |
| Drawing 33.05 - Braking correction device..... | 25 |
| Drawing 33.06 - Dashboard..... | 27 |
| Drawing 33.07 - Fuel vapour recover system..... | 29 |
| Drawing 33.08 - Headlight-Horn..... | 31 |
| Drawing 33.09 - Taillight..... | 32 |
| Drawing 33.10 - Air filter..... | 33 |
| Drawing 33.11 - Front fork..... | 34 |
| Drawing 33.12 - Swing arm..... | 37 |
| Drawing 33.13 - Electrical system..... | 38 |
| Drawing 33.14 - Leather side cases..... | 40 |
| Drawing 33.15 - Side cases - Top box..... | 41 |
| Drawing 33.16 - Handlebar - Controls..... | 42 |
| Drawing 33.17 - Windscreen..... | 44 |
| Drawing 33.18 - Front/Rear mudguard..... | 45 |
| Drawing 33.19 - Foot rests..... | 48 |
| Drawing 33.20 - Brake caliper..... | 50 |
| Drawing 33.21 - Front master cilinder..... | 51 |
| Drawing 33.22 - Rear master cylinder..... | 53 |
| Drawing 33.23 - Luggage rack..... | 55 |
| Drawing 33.24 - Front wheel..... | 56 |
| Drawing 33.25 - Rear wheel..... | 57 |
| Drawing 33.26 - Saddles..... | 58 |
| Drawing 33.27 - Fuel tank..... | 62 |
| Drawing 33.28 - Front/rear shock absorber..... | 64 |
| Drawing 33.29 - Frame..... | 65 |
| Drawing 33.30 - Ignition unit..... | 67 |
| Drawing 33.34 - Supply I..... | 69 |
| Drawing 33.35 - Supply II..... | 70 |
| Drawing 33.39 - CDI unit assy I..... | 71 |
| Drawing 33.40 - CDI unit assy II..... | 72 |
| Drawing 33.48 - Exhaust unit..... | 75 |
| Drawing 33.50 - Gear lever..... | 77 |
| ENGINE..... | 78 |
| Drawing 34.31 - Crankshaft I..... | 78 |
| Drawing 34.32 - Crankshaft II..... | 79 |
| Drawing 34.33 - Driven shaft..... | 81 |



| | |
|--|-----|
| Drawing 34.36 - Gear box..... | 83 |
| Drawing 34.37 - Crankcase I..... | 85 |
| Drawing 34.38 - Crankcase II..... | 87 |
| Drawing 34.41 - Starter motor cover..... | 89 |
| Drawing 34.42 - Throttle body I..... | 90 |
| Drawing 34.43 - Throttle body II..... | 92 |
| Drawing 34.44 - Timing system II..... | 94 |
| Drawing 34.45 - Timing system I..... | 95 |
| Drawing 34.46 - Clutch..... | 96 |
| Drawing 34.47 - Generator - Regulator..... | 97 |
| Drawing 34.49 - Starter motor..... | 98 |
| Drawing 34.51 - Oil pump..... | 99 |
| Drawing 34.52 - Transmission cage..... | 101 |
| Drawing 34.53 - Cylinder head I..... | 103 |
| Drawing 34.54 - Cylinder headII..... | 105 |



Products

| Code | Validity |
|------------------|----------|
| 9032533US202UNC | |
| 9032534US401UNC | |
| 9032534US402UNC | |
| 9032534US403UNC | |
| 9032534US404UNC | |
| 9032534US405UNC | |
| 903253705221UNC | |
| 9032542US401AUNC | |
| 9032543US402UNC | |
| 903257405108UNC | |
| 9032583US202UNC | |
| GU900056301101 | |
| GU900056301701 | |
| GU900056301902 | |
| GU900056305101 | |
| GU900056305102 | |
| GU900056305115 | |
| GU900056305701 | |
| GU900056305702 | |
| GU900056305705 | |
| GU900056305710 | |
| GU900056305717 | |
| GU900056321102 | |
| GU900056321115 | |
| GU9032174US701 | |
| GU9032211US503 | |
| GU9032529EU301 | |
| GU9032533US201 | |
| GU9032533US202 | |
| GU9032533US401 | |
| GU9032533US402 | |
| GU9032533US403 | |
| GU9032534US202 | |
| GU9032534US203 | |
| GU9032534US401 | |
| GU9032534US402 | |
| GU9032534US403 | |
| GU9032534US404 | |
| GU9032534US405 | |
| GU903253501201 | |
| GU903253501208 | |
| GU903253501221 | |



| Code | Validity |
|----------------|----------|
| GU903253505201 | |
| GU903253505208 | |
| GU903253505221 | |
| GU903253506201 | |
| GU903253506208 | |
| GU903253506221 | |
| GU903253508201 | |
| GU903253509208 | |
| GU9032536AU201 | |
| GU9032536AU202 | |
| GU9032536AU203 | |
| GU9032536AU304 | |
| GU9032536AU305 | |
| GU9032536EU201 | |
| GU9032536EU202 | |
| GU9032536EU203 | |
| GU9032536EU304 | |
| GU9032536EU305 | |
| GU9032536GB201 | |
| GU9032536GB202 | |
| GU9032536GB203 | |
| GU9032536GB304 | |
| GU9032536GB305 | |
| GU9032536JP201 | |
| GU9032536JP202 | |
| GU9032536JP203 | |
| GU903253701221 | |
| GU903253705221 | |
| GU903253706221 | |
| GU903253707221 | |
| GU903253708221 | |
| GU903253709221 | |
| GU9032538AU201 | |
| GU9032538AU202 | |
| GU9032538AU203 | |
| GU9032538AU304 | |
| GU9032538EU201 | |
| GU9032538EU202 | |
| GU9032538EU203 | |
| GU9032538EU304 | |
| GU9032538EU305 | |
| GU9032538GB201 | |
| GU9032538GB202 | |
| GU9032538GB203 | |
| GU9032538GB304 | |



| Code | Validity |
|----------------|----------|
| GU9032538GB305 | |
| GU9032538JP201 | |
| GU9032538JP202 | |
| GU9032538JP203 | |
| GU9032538JP305 | |
| GU9032538NZ202 | |
| GU9032542US201 | |
| GU9032542US203 | |
| GU9032542US401 | |
| GU9032542US402 | |
| GU9032542US403 | |
| GU9032543US202 | |
| GU9032543US203 | |
| GU9032543US402 | |
| GU9032543US403 | |
| GU903254505208 | |
| GU903254505215 | |
| GU903254505219 | |
| GU903254505221 | |
| GU9032546AU201 | |
| GU9032546AU202 | |
| GU9032546AU203 | |
| GU9032546EU201 | |
| GU9032546EU202 | |
| GU9032546EU203 | |
| GU9032546GB201 | |
| GU9032546GB202 | |
| GU9032546GB203 | |
| GU9032546JP201 | |
| GU9032546JP202 | |
| GU9032546JP203 | |
| GU9032546NZ201 | |
| GU9032547AU202 | |
| GU9032547AU203 | |
| GU9032547EU202 | |
| GU9032547EU203 | |
| GU9032547GB202 | |
| GU9032547GB203 | |
| GU9032547JP202 | |
| GU9032547JP203 | |
| GU9032547NZ202 | |
| GU9032547NZ203 | |
| GU903254805205 | |
| GU903254805226 | |
| GU903255601203 | |



| Code | Validity |
|----------------|----------|
| GU903255601222 | |
| GU903255605203 | |
| GU903255605222 | |
| GU903255608203 | |
| GU903255608222 | |
| GU903256401906 | |
| GU903256601802 | |
| GU903256601805 | |
| GU903256601808 | |
| GU903256601905 | |
| GU903256601908 | |
| GU903256601909 | |
| GU903256605802 | |
| GU903256605805 | |
| GU903256605808 | |
| GU903256605809 | |
| GU903256605820 | |
| GU903256605905 | |
| GU903256605908 | |
| GU903256621905 | |
| GU903256621908 | |
| GU903256701805 | |
| GU903256701815 | |
| GU903256705801 | |
| GU903256705805 | |
| GU903256705815 | |
| GU903256705821 | |
| GU903256721801 | |
| GU903256721805 | |
| GU903256721815 | |
| GU903256721821 | |
| GU903257201108 | |
| GU903257201115 | |
| GU903257201119 | |
| GU903257201121 | |
| GU903257205115 | |
| GU903257221108 | |
| GU903257221115 | |
| GU903257301103 | |
| GU903257301122 | |
| GU903257305103 | |
| GU903257305122 | |
| GU903257401108 | |
| GU903257401115 | |
| GU903257401121 | |



| Code | Validity |
|----------------|----------|
| GU903257401123 | |
| GU903257405108 | |
| GU903257405121 | |
| GU903257405123 | |
| GU903257421108 | |
| GU903257421121 | |
| GU903257421123 | |
| GU903258105227 | |
| GU9032582AU202 | |
| GU9032582EU201 | |
| GU9032582EU202 | |
| GU9032582GB201 | |
| GU9032582GB202 | |
| GU9032582JP201 | |
| GU9032582JP202 | |
| GU9032582NZ202 | |
| GU9032583EU701 | |
| GU9032583US201 | |
| GU9032583US202 | |
| GU9032583US402 | |
| GU9032584AU601 | |
| GU9032584CA701 | |
| GU9032584CA801 | |
| GU9032584CA901 | |
| GU9032584CA902 | |
| GU9032584EU601 | |
| GU9032584EU801 | |
| GU9032584EU802 | |
| GU9032584GB601 | |
| GU9032584GB801 | |
| GU9032584JP601 | |
| GU9032584JP801 | |
| GU9032584JP802 | |
| GU9032584US701 | |
| GU9032584US801 | |
| GU9032584US901 | |
| GU9032584US902 | |
| GU9032585AU601 | |
| GU9032585AU602 | |
| GU9032585AU603 | |
| GU9032585AU704 | |
| GU9032585EU601 | |
| GU9032585EU602 | |
| GU9032585EU603 | |
| GU9032585EU704 | |



| Code | Validity |
|----------------|----------|
| GU9032585GB601 | |
| GU9032585GB602 | |
| GU9032585GB704 | |
| GU9032585JP601 | |
| GU9032585JP602 | |
| GU9032586AU601 | |
| GU9032586AU602 | |
| GU9032586EU601 | |
| GU9032586EU602 | |
| GU9032586EU603 | |
| GU9032586GB601 | |
| GU9032586GB602 | |
| GU9032586GB603 | |
| GU9032586JP601 | |
| GU9032586JP602 | |
| GU903259101205 | |
| GU903259101226 | |
| GU903259106205 | |
| GU903259106226 | |
| GU903259107205 | |
| GU903259107226 | |
| GU903259109226 | |
| GU903259301123 | |
| GU903259305123 | |
| GU903259306123 | |
| GU903259307123 | |
| GU903259308123 | |
| GU903259321123 | |
| GU903259401127 | |
| GU903259405127 | |
| GU903259406127 | |
| GU903259407127 | |
| GU903259408127 | |
| GU903259409127 | |
| GU903259501105 | |
| GU903259501126 | |
| GU903259505126 | |
| GU903259601121 | |
| GU903259701208 | |
| GU903259701215 | |
| GU903259701219 | |
| GU903259701221 | |
| GU903259705208 | |
| GU903259705215 | |
| GU903259705219 | |



| Code | Validity |
|----------------|----------|
| GU903259705221 | |
| GU903259706208 | |
| GU903259706215 | |
| GU903259706219 | |
| GU903259706221 | |
| GU903259707215 | |
| GU903259707219 | |
| GU903259708208 | |
| GU903259708215 | |
| GU903259708219 | |
| GU903259708221 | |
| GU903259709208 | |
| GU903259709215 | |
| GU903259801203 | |
| GU903259801222 | |
| GU903259805203 | |
| GU903259805222 | |
| GU903259807203 | |
| GU903259821203 | |
| GU903259821222 | |
| GU9032700US602 | |



| Code | Drawing Nr. | Pos. | Code | Drawing Nr. | Pos. | Code | Drawing Nr. | Pos. |
|---------------|-------------|------|---------------|-------------|------|------------|-------------|------|
| GU00823931055 | 33.19 | 41 | GU02762800 | 33.06 | 3 | GU03122900 | 33.48 | 15 |
| GU00823931055 | 33.26 | 22 | GU02763000 | 33.06 | 11 | GU03123000 | 33.48 | 10 |
| GU00823931055 | 33.27 | 28 | GU02763400 | 33.06 | 10 | GU03123400 | 33.48 | 17 |
| GU00823931080 | 33.29 | 17 | GU02764000 | 33.06 | 12 | GU03123900 | 33.48 | 8 |
| GU00823931080 | 34.41 | 3 | GU02765500 | 33.06 | 19 | GU03128600 | 33.48 | 11 |
| GU00823944050 | 33.10 | 17 | GU02766000 | 33.06 | 18 | GU03128700 | 33.48 | 16 |
| GU00823944050 | 33.30 | 43 | GU02766200 | 33.06 | 26 | GU03132800 | 33.16 | 14 |
| GU00823950050 | 33.22 | 11 | GU02766300 | 33.06 | 31 | GU03158200 | 34.51 | 12 |
| GU00823952080 | 33.35 | 15 | GU02766500 | 33.06 | 32 | GU03163300 | 33.40 | 35 |
| GU00823956060 | 33.07 | 16 | GU02767200 | 33.06 | 9 | GU03212000 | 34.36 | 17 |
| GU00823956060 | 33.07 | 5 | GU02768200 | 33.06 | 28 | GU03214500 | 34.33 | 13 |
| GU00823956080 | 33.07 | 7 | GU02768400 | 33.06 | 29 | GU03214800 | 34.33 | 11 |
| GU00823956080 | 33.10 | 12 | GU02768600 | 33.06 | 35 | GU03215100 | 34.33 | 5 |
| GU00823956080 | 34.51 | 30 | GU02781100 | 33.06 | 30 | GU03339800 | 33.25 | 23 |
| GU00823956080 | 34.52 | 28 | GU03001600 | 34.37 | 21 | GU03400102 | 33.29 | 1 |
| GU00979726 | 33.02 | 14 | GU03001600 | 34.38 | 21 | GU03420300 | 33.19 | 1 |
| GU01000700 | 34.38 | 1 | GU03003501 | 34.37 | 27 | GU03422100 | 33.19 | 2 |
| GU01007200 | 34.51 | 31 | GU03003501 | 34.38 | 26 | GU03432740 | 33.03 | 22 |
| GU01051700 | 34.45 | 8 | GU03022130 | 34.54 | 1 | GU03434300 | 33.18 | 1 |
| GU01054000 | 34.45 | 5 | GU03023530 | 34.54 | 36 | GU03434301 | 33.18 | 1 |
| GU01054500 | 34.45 | 9 | GU03036000 | 34.54 | 6 | GU03434302 | 33.18 | 1 |
| GU01061530 | 34.32 | 14 | GU03036100 | 34.54 | 5 | GU03434303 | 33.18 | 1 |
| GU01112800 | 33.35 | 18 | GU03060130 | 34.31 | 1 | GU03434304 | 33.18 | 1 |
| GU01112900 | 33.35 | 17 | GU03060130 | 34.32 | 25 | GU03434305 | 33.18 | 1 |
| GU01116020 | 33.07 | 10 | GU03060230 | 34.32 | 3 | GU03434306 | 33.18 | 1 |
| GU01121030 | 33.48 | 5 | GU03067030 | 34.32 | 20 | GU03434307 | 33.18 | 1 |
| GU01153602 | 34.51 | 23 | GU03084400 | 34.46 | 3 | GU03435200 | 33.18 | 2 |
| GU01336800 | 33.25 | 12 | GU03093000 | 33.16 | 21 | GU03435300 | 33.18 | 5 |
| GU01517700 | 34.41 | 2 | GU03100200 | 33.27 | 1 | GU03435400 | 33.18 | 3 |
| GU01530500 | 34.42 | 3 | GU03100201 | 33.07 | 1 | GU03435500 | 33.18 | 6 |
| GU01530500 | 34.43 | 3 | GU03100202 | 33.27 | 1 | GU03436300 | 33.18 | 9 |
| GU01530504 | 34.42 | 2 | GU03100203 | 33.27 | 1 | GU03436300 | 34.41 | 6 |
| GU01530504 | 34.43 | 2 | GU03100204 | 33.27 | 1 | GU03436400 | 33.18 | 7 |
| GU01614100 | 33.24 | 9 | GU03100205 | 33.27 | 1 | GU03436500 | 33.18 | 8 |
| GU01635700 | 33.25 | 9 | GU03100220 | 33.07 | 1 | GU03436600 | 33.18 | 12 |
| GU01652230 | 33.05 | 1 | GU03100221 | 33.07 | 1 | GU03437001 | 33.18 | 19 |
| GU01652330 | 33.21 | 16 | GU03100222 | 33.07 | 1 | GU03437002 | 33.18 | 19 |
| GU01654630 | 33.05 | 34 | GU03100223 | 33.07 | 1 | GU03437003 | 33.18 | 19 |
| GU01654630 | 33.21 | 20 | GU03100224 | 33.07 | 1 | GU03437004 | 33.18 | 19 |
| GU01659130 | 33.05 | 6 | GU03100225 | 33.07 | 1 | GU03437005 | 33.18 | 19 |
| GU01659130 | 33.21 | 22 | GU03101600 | 33.27 | 9 | GU03437006 | 33.18 | 19 |
| GU01659131 | 33.05 | 35 | GU03101701 | 33.27 | 10 | GU03437007 | 33.18 | 19 |
| GU01659131 | 33.21 | 25 | GU03101720 | 33.27 | 10 | GU03439000 | 33.18 | 21 |
| GU01659230 | 33.05 | 5 | GU03101900 | 33.27 | 6 | GU03446900 | 33.19 | 3 |
| GU01659230 | 33.21 | 21 | GU03102200 | 33.27 | 8 | GU03447400 | 33.19 | 4 |
| GU01721600 | 33.40 | 16 | GU03102400 | 33.27 | 7 | GU03460500 | 33.26 | 1 |
| GU01735500 | 33.27 | 20 | GU03103000 | 33.27 | 18 | GU03462800 | 33.26 | 14 |
| GU01756100 | 33.08 | 3 | GU03103200 | 33.27 | 11 | GU03462800 | 33.27 | 25 |
| GU01756220 | 33.08 | 6 | GU03103500 | 33.27 | 29 | GU03464000 | 33.26 | 3 |
| GU01766031 | 33.06 | 18 | GU03103501 | 33.27 | 29 | GU03466501 | 33.23 | 1 |
| GU01782500 | 33.06 | 36 | GU03103900 | 33.27 | 5 | GU03466900 | 33.26 | 12 |
| GU01917800 | 33.27 | 2 | GU03103920 | 33.07 | 2 | GU03467300 | 33.26 | 11 |
| GU01917900 | 33.27 | 3 | GU03105300 | 33.27 | 17 | GU03468000 | 33.23 | 2 |
| GU02517700 | 34.37 | 18 | GU03106400 | 33.27 | 4 | GU03468200 | 33.23 | 6 |
| GU02517700 | 34.38 | 18 | GU03106500 | 33.34 | 7 | GU03469200 | 33.29 | 12 |
| GU02740400 | 33.08 | 23 | GU03106500 | 33.35 | 7 | GU03469201 | 33.29 | 45 |
| GU02740458 | 33.08 | 24 | GU03107630 | 33.35 | 26 | GU03471801 | 33.26 | 19 |
| GU02740459 | 33.08 | 25 | GU03113360001 | 34.42 | 18 | GU03471802 | 33.26 | 16 |
| GU02740501 | 33.08 | 1 | GU03113360001 | 34.43 | 18 | GU03472400 | 33.27 | 22 |
| GU02740505 | 33.08 | 1 | GU03113460001 | 34.42 | 19 | GU03472900 | 33.27 | 23 |
| GU02746900 | 33.08 | 2 | GU03113460001 | 34.43 | 19 | GU03476206 | 33.26 | 4 |
| GU02747901 | 33.13 | 11 | GU03116020 | 33.07 | 10 | GU03476207 | 33.26 | 4 |
| GU02761500 | 33.06 | 1 | GU03117500 | 33.16 | 6 | GU03476208 | 33.26 | 4 |
| GU02761900 | 33.06 | 14 | GU03117800 | 33.16 | 6 | GU03476209 | 33.26 | 4 |
| GU02762000 | 33.06 | 15 | GU03120902 | 33.48 | 1 | GU03476210 | 33.26 | 4 |
| GU02762301 | 33.06 | 13 | GU03120903 | 33.48 | 2 | GU03476211 | 33.26 | 4 |
| GU02762400 | 33.06 | 1 | GU03121000 | 33.48 | 5 | GU03476221 | 33.26 | 4 |



| Code | Drawing Nr. | Pos. | Code | Drawing Nr. | Pos. | Code | Drawing Nr. | Pos. |
|---------------|-------------|------|------------|-------------|------|---------------|-------------|------|
| GU03476222 | 33.26 | 4 | GU03530500 | 33.11 | 4 | GU03615300 | 33.24 | 4 |
| GU03476223 | 33.26 | 4 | GU03530503 | 33.11 | 9 | GU03616300 | 33.24 | 10 |
| GU03476224 | 33.26 | 4 | GU03530504 | 33.11 | 12 | GU03617700 | 33.24 | 2 |
| GU03476225 | 33.26 | 4 | GU03530505 | 33.11 | 13 | GU03617700 | 33.25 | 2 |
| GU03476226 | 33.26 | 4 | GU03530506 | 33.11 | 14 | GU03630601001 | 33.25 | 1 |
| GU03476227 | 33.26 | 4 | GU03530507 | 33.11 | 15 | GU03631000 | 33.25 | 6 |
| GU03476228 | 33.26 | 4 | GU03530508 | 33.11 | 16 | GU03631100 | 33.25 | 5 |
| GU03476229 | 33.26 | 4 | GU03530509 | 33.11 | 17 | GU03631400 | 33.25 | 7 |
| GU03476306 | 33.26 | 8 | GU03530510 | 33.11 | 20 | GU03633300 | 33.25 | 11 |
| GU03476307 | 33.26 | 8 | GU03530511 | 33.11 | 21 | GU03635700 | 33.25 | 9 |
| GU03476308 | 33.26 | 8 | GU03530512 | 33.11 | 22 | GU03635800 | 33.20 | 6 |
| GU03476309 | 33.26 | 8 | GU03530513 | 33.11 | 23 | GU03652200 | 33.21 | 16 |
| GU03476310 | 33.26 | 8 | GU03530514 | 33.11 | 24 | GU03652300 | 33.05 | 1 |
| GU03476311 | 33.26 | 8 | GU03530515 | 33.11 | 25 | GU03653000 | 33.20 | 1 |
| GU03476321 | 33.26 | 8 | GU03530516 | 33.11 | 26 | GU03653001 | 33.20 | 1 |
| GU03476322 | 33.26 | 8 | GU03530517 | 33.11 | 27 | GU03654600 | 33.20 | 2 |
| GU03476323 | 33.26 | 8 | GU03530518 | 33.11 | 28 | GU03656200 | 33.05 | 20 |
| GU03476324 | 33.26 | 8 | GU03530519 | 33.11 | 29 | GU03657100 | 33.21 | 13 |
| GU03476325 | 33.26 | 8 | GU03530520 | 33.11 | 30 | GU03657101 | 33.21 | 13 |
| GU03476326 | 33.26 | 8 | GU03530521 | 33.11 | 31 | GU03657500 | 33.20 | 7 |
| GU03476327 | 33.26 | 8 | GU03530522 | 33.11 | 32 | GU03658201 | 33.21 | 15 |
| GU03476328 | 33.26 | 8 | GU03530523 | 33.11 | 33 | GU03658300 | 33.05 | 8 |
| GU03476329 | 33.26 | 8 | GU03530524 | 33.11 | 34 | GU03658400 | 33.21 | 14 |
| GU03480050 | 33.02 | 1 | GU03530525 | 33.11 | 35 | GU03658500 | 33.22 | 14 |
| GU03480050 | 33.15 | 2 | GU03530526 | 33.11 | 36 | GU03658800 | 33.05 | 7 |
| GU03480051 | 33.02 | 1 | GU03530527 | 33.11 | 37 | GU03658801 | 33.05 | 7 |
| GU03480051 | 33.15 | 1 | GU03530528 | 33.11 | 38 | GU03659700 | 33.21 | 24 |
| GU03480058 | 33.14 | 1 | GU03530529 | 33.11 | 41 | GU03667300 | 33.05 | 25 |
| GU03482000 | 33.01 | 3 | GU03530530 | 33.11 | 42 | GU03668200 | 33.05 | 21 |
| GU03482000 | 33.02 | 4 | GU03530531 | 33.11 | 44 | GU03668500 | 33.05 | 18 |
| GU03482001 | 33.01 | 3 | GU03530532 | 33.11 | 45 | GU03668801 | 33.05 | 24 |
| GU03482536 | 33.14 | 2 | GU03530533 | 33.11 | 46 | GU03668900 | 33.05 | 26 |
| GU03484000 | 33.01 | 9 | GU03530534 | 33.11 | 47 | GU03669000 | 33.16 | 25 |
| GU03484000 | 33.02 | 12 | GU03530535 | 33.11 | 48 | GU03669001 | 33.16 | 26 |
| GU03484001 | 33.01 | 8 | GU03530536 | 33.11 | 48 | GU03675900 | 33.22 | 21 |
| GU03484001 | 33.02 | 13 | GU03530537 | 33.11 | 48 | GU03704540 | 33.13 | 26 |
| GU03485050 | 33.02 | 5 | GU03530538 | 33.11 | 49 | GU03705000 | 33.13 | 29 |
| GU03485055 | 33.14 | 4 | GU03530539 | 33.11 | 50 | GU03705540 | 33.13 | 29 |
| GU03485736 | 33.14 | 3 | GU03530540 | 33.11 | 51 | GU03725800 | 33.30 | 1 |
| GU03486550 | 33.02 | 6 | GU03530542 | 33.17 | 7 | GU03725830 | 33.40 | 1 |
| GU03486555 | 33.14 | 5 | GU03530543 | 33.17 | 12 | GU03727800 | 33.39 | 9 |
| GU03487500 | 33.01 | 1 | GU03530543 | 33.17 | 3 | GU03727800 | 33.40 | 31 |
| GU03487501 | 33.01 | 1 | GU03530544 | 33.17 | 15 | GU03729230 | 33.40 | 5 |
| GU03487530 | 33.14 | 8 | GU03530544 | 33.17 | 6 | GU03729531 | 33.40 | 2 |
| GU03487600 | 33.01 | 2 | GU03530545 | 33.17 | 14 | GU03733000 | 34.41 | 7 |
| GU03487636 | 33.14 | 9 | GU03530545 | 33.17 | 5 | GU03733300 | 34.41 | 1 |
| GU03487802 | 33.01 | 5 | GU03530546 | 33.17 | 13 | GU03733400 | 34.41 | 8 |
| GU03487802 | 33.14 | 11 | GU03530546 | 33.17 | 4 | GU03733500 | 34.41 | 9 |
| GU03488000 | 33.01 | 10 | GU03531000 | 33.28 | 8 | GU03736801 | 33.27 | 19 |
| GU03490200 | 33.28 | 1 | GU03531800 | 33.28 | 7 | GU03736820 | 33.07 | 14 |
| GU03490201 | 33.28 | 1 | GU03540201 | 33.12 | 1 | GU03738500 | 33.30 | 38 |
| GU03490600 | 33.11 | 52 | GU03541800 | 33.28 | 16 | GU03738500 | 33.40 | 38 |
| GU03490601 | 33.11 | 52 | GU03550200 | 33.28 | 15 | GU03738800 | 33.16 | 5 |
| GU03490700 | 33.11 | 53 | GU03550230 | 33.28 | 15 | GU03738820 | 33.16 | 5 |
| GU03490701 | 33.11 | 53 | GU03555200 | 33.04 | 34 | GU03747100 | 33.13 | 1 |
| GU03493100 | 33.11 | 7 | GU03556600 | 33.28 | 20 | GU03747130 | 33.13 | 1 |
| GU03494000 | 33.11 | 11 | GU03556620 | 33.28 | 21 | GU03747200 | 33.13 | 2 |
| GU03496100 | 33.08 | 8 | GU03575100 | 33.17 | 1 | GU03748400 | 33.13 | 8 |
| GU03496200 | 33.08 | 11 | GU03575101 | 33.17 | 1 | GU03750600 | 33.08 | 14 |
| GU03498100 | 33.11 | 8 | GU03575102 | 33.17 | 10 | GU03750601 | 33.08 | 15 |
| GU03500200 | 33.11 | 2 | GU03600300 | 33.16 | 1 | GU03753100 | 33.09 | 21 |
| GU03522500001 | 33.11 | 39 | GU03609600 | 33.16 | 27 | GU03759100 | 33.03 | 29 |
| GU03522501001 | 33.11 | 39 | GU03610300 | 33.24 | 1 | GU03760001 | 33.06 | 40 |
| GU03522600001 | 33.11 | 43 | GU03611600 | 33.24 | 5 | GU03767200 | 33.06 | 9 |
| GU03522601001 | 33.11 | 43 | GU03611700 | 33.24 | 6 | GU03769400 | 33.16 | 23 |
| GU03525400 | 33.11 | 19 | GU03611700 | 33.25 | 8 | GU03900000 | 33.29 | 43 |
| GU03526600 | 33.11 | 18 | GU03614101 | 33.24 | 9 | GU03900020 | 33.29 | 43 |



| Code | Drawing Nr. | Pos. | Code | Drawing Nr. | Pos. | Code | Drawing Nr. | Pos. |
|------------|-------------|------|------------|-------------|------|------------|-------------|------|
| GU03909900 | 33.29 | 42 | GU12154200 | 34.52 | 33 | GU14090400 | 34.46 | 14 |
| GU03922001 | 33.26 | 9 | GU12157800 | 34.51 | 32 | GU14102570 | 33.07 | 6 |
| GU03922020 | 33.26 | 9 | GU12157900 | 33.34 | 18 | GU14121200 | 33.48 | 4 |
| GU03922021 | 33.26 | 9 | GU12157900 | 33.35 | 16 | GU14152200 | 34.51 | 8 |
| GU03941000 | 34.53 | 41 | GU12159000 | 34.51 | 17 | GU14158800 | 34.51 | 19 |
| GU03941000 | 34.54 | 37 | GU12207200 | 34.52 | 18 | GU14201110 | 34.52 | 10 |
| GU03945400 | 33.26 | 10 | GU12207700 | 34.52 | 19 | GU14204955 | 34.52 | 27 |
| GU03991000 | 34.37 | 45 | GU12211700 | 34.36 | 12 | GU14210513 | 34.36 | 14 |
| GU03991030 | 34.38 | 42 | GU12327700 | 33.12 | 16 | GU14210702 | 34.36 | 5 |
| GU03991500 | 34.52 | 38 | GU12351100 | 33.04 | 11 | GU14212013 | 34.36 | 17 |
| GU10032700 | 34.53 | 32 | GU12355202 | 33.04 | 18 | GU14212210 | 34.36 | 21 |
| GU10032700 | 34.54 | 32 | GU12355203 | 33.04 | 18 | GU14213001 | 34.33 | 12 |
| GU10034100 | 34.53 | 29 | GU12356300 | 33.04 | 30 | GU14213803 | 34.52 | 4 |
| GU10034100 | 34.54 | 29 | GU12433000 | 33.13 | 30 | GU14214210 | 34.33 | 18 |
| GU10158701 | 34.51 | 13 | GU12547200 | 33.12 | 5 | GU14214510 | 34.33 | 13 |
| GU10528900 | 33.04 | 9 | GU12548201 | 33.12 | 11 | GU14214810 | 34.33 | 11 |
| GU10528900 | 34.52 | 26 | GU12548401 | 33.12 | 10 | GU14215110 | 34.33 | 5 |
| GU12001200 | 34.37 | 14 | GU12717600 | 34.51 | 22 | GU14215213 | 34.33 | 17 |
| GU12001200 | 34.38 | 14 | GU13021900 | 34.53 | 17 | GU14215400 | 34.33 | 4 |
| GU12003702 | 34.37 | 32 | GU13021900 | 34.54 | 17 | GU14217300 | 34.33 | 16 |
| GU12003702 | 34.38 | 29 | GU13036801 | 34.53 | 3 | GU14217410 | 34.33 | 2 |
| GU12003900 | 34.37 | 2 | GU13036801 | 34.54 | 3 | GU14217901 | 33.22 | 3 |
| GU12003900 | 34.38 | 2 | GU13037000 | 34.53 | 10 | GU14217901 | 34.43 | 11 |
| GU12006400 | 33.20 | 11 | GU13037000 | 34.54 | 10 | GU14217901 | 34.52 | 20 |
| GU12006400 | 33.34 | 24 | GU13037200 | 34.53 | 8 | GU14217901 | 34.52 | 6 |
| GU12006400 | 33.35 | 22 | GU13037200 | 34.54 | 8 | GU14218011 | 34.33 | 10 |
| GU12006400 | 34.51 | 21 | GU13037400 | 34.53 | 11 | GU14218401 | 34.36 | 7 |
| GU12007600 | 34.51 | 34 | GU13037400 | 34.54 | 11 | GU14219310 | 34.33 | 14 |
| GU12011400 | 34.37 | 40 | GU13037600 | 34.53 | 12 | GU14219401 | 34.36 | 13 |
| GU12011400 | 34.38 | 37 | GU13037600 | 34.54 | 12 | GU14230501 | 34.33 | 26 |
| GU12011401 | 34.37 | 40 | GU13084100 | 34.46 | 1 | GU14230711 | 34.33 | 19 |
| GU12011401 | 34.38 | 37 | GU13148300 | 34.51 | 2 | GU14231012 | 34.33 | 8 |
| GU12011402 | 34.37 | 40 | GU13432640 | 33.03 | 2 | GU14231201 | 34.33 | 27 |
| GU12011402 | 34.38 | 37 | GU13432640 | 33.22 | 27 | GU14231510 | 34.36 | 22 |
| GU12011403 | 34.37 | 40 | GU13432640 | 33.50 | 3 | GU14232400 | 34.33 | 25 |
| GU12011403 | 34.38 | 37 | GU13433440 | 33.03 | 21 | GU14232512 | 34.33 | 9 |
| GU12011700 | 34.37 | 41 | GU14003600 | 34.37 | 24 | GU14234300 | 34.33 | 23 |
| GU12011700 | 34.38 | 38 | GU14003600 | 34.38 | 24 | GU14234405 | 34.33 | 20 |
| GU12011800 | 34.37 | 39 | GU14011900 | 34.37 | 10 | GU14234600 | 34.33 | 24 |
| GU12011800 | 34.38 | 36 | GU14011900 | 34.38 | 10 | GU14234600 | 34.45 | 4 |
| GU12012200 | 34.37 | 11 | GU14011901 | 34.37 | 10 | GU14235500 | 34.33 | 21 |
| GU12012200 | 34.38 | 11 | GU14011901 | 34.38 | 10 | GU14237800 | 34.52 | 14 |
| GU12018900 | 34.37 | 6 | GU14018400 | 34.53 | 24 | GU14335303 | 33.25 | 15 |
| GU12018900 | 34.38 | 6 | GU14018400 | 34.54 | 24 | GU14429500 | 33.19 | 12 |
| GU12021700 | 34.31 | 13 | GU14020865 | 34.31 | 10 | GU14429600 | 33.03 | 12 |
| GU12021700 | 34.32 | 13 | GU14020865 | 34.32 | 10 | GU14429900 | 33.03 | 37 |
| GU12021800 | 34.31 | 12 | GU14023760 | 34.53 | 38 | GU14432900 | 33.03 | 4 |
| GU12021800 | 34.32 | 12 | GU14023760 | 34.54 | 38 | GU14433200 | 33.03 | 5 |
| GU12022600 | 33.04 | 6 | GU14030201 | 34.53 | 25 | GU14433400 | 33.03 | 9 |
| GU12022600 | 34.52 | 23 | GU14030201 | 34.54 | 25 | GU14433400 | 34.44 | 8 |
| GU12022600 | 34.53 | 15 | GU14030401 | 34.53 | 26 | GU14433400 | 34.45 | 10 |
| GU12022600 | 34.54 | 15 | GU14030401 | 34.54 | 26 | GU14433500 | 33.03 | 10 |
| GU12031800 | 34.53 | 33 | GU14034865 | 34.53 | 22 | GU14434000 | 33.03 | 18 |
| GU12031800 | 34.54 | 33 | GU14034865 | 34.54 | 22 | GU14439800 | 33.08 | 9 |
| GU12038100 | 34.53 | 14 | GU14036860 | 34.53 | 4 | GU14461400 | 33.13 | 31 |
| GU12038100 | 34.54 | 14 | GU14036860 | 34.54 | 4 | GU14498550 | 33.12 | 18 |
| GU12054000 | 34.44 | 4 | GU14037300 | 34.53 | 9 | GU14516700 | 33.28 | 4 |
| GU12067701 | 34.31 | 21 | GU14037300 | 34.54 | 9 | GU14517000 | 33.28 | 5 |
| GU12067701 | 34.32 | 21 | GU14038000 | 34.53 | 13 | GU14609650 | 33.05 | 15 |
| GU12082300 | 34.46 | 4 | GU14038000 | 34.54 | 13 | GU14609650 | 33.13 | 25 |
| GU12082800 | 34.46 | 5 | GU14072001 | 34.44 | 10 | GU14615901 | 33.04 | 21 |
| GU12082901 | 34.46 | 2 | GU14072001 | 34.45 | 12 | GU14615901 | 33.04 | 31 |
| GU12087001 | 34.46 | 9 | GU14085700 | 34.46 | 6 | GU14615901 | 33.04 | 4 |
| GU12150700 | 34.51 | 16 | GU14085900 | 34.46 | 7 | GU14615901 | 33.18 | 14 |
| GU12150900 | 34.51 | 14 | GU14086000 | 34.46 | 8 | GU14615901 | 33.22 | 6 |
| GU12154200 | 33.34 | 21 | GU14086100 | 34.46 | 10 | GU14615901 | 33.29 | 23 |
| GU12154200 | 34.51 | 25 | GU14090202 | 34.46 | 12 | GU14615901 | 33.48 | 6 |



| Code | Drawing Nr. | Pos. | Code | Drawing Nr. | Pos. | Code | Drawing Nr. | Pos. |
|------------|-------------|------|------------|-------------|------|------------|-------------|------|
| GU14615901 | 34.31 | 22 | GU19007700 | 34.37 | 23 | GU28769550 | 33.16 | 24 |
| GU14615901 | 34.32 | 22 | GU19007700 | 34.38 | 23 | GU29018361 | 34.37 | 36 |
| GU14615901 | 34.47 | 17 | GU19007700 | 34.47 | 16 | GU29018361 | 34.38 | 33 |
| GU14616150 | 33.24 | 13 | GU19149800 | 33.05 | 3 | GU29023550 | 34.53 | 36 |
| GU14616150 | 33.25 | 22 | GU19149800 | 33.20 | 5 | GU29053350 | 34.45 | 3 |
| GU14634051 | 33.25 | 4 | GU19149800 | 33.21 | 18 | GU29054460 | 34.44 | 7 |
| GU14634400 | 33.25 | 20 | GU19157800 | 33.22 | 13 | GU29067060 | 34.31 | 20 |
| GU14717600 | 33.30 | 13 | GU19355320 | 33.04 | 19 | GU29104985 | 33.07 | 4 |
| GU14717600 | 33.40 | 13 | GU19355321 | 33.04 | 19 | GU29105860 | 33.34 | 3 |
| GU14766110 | 33.06 | 7 | GU19355322 | 33.04 | 19 | GU29105860 | 33.35 | 3 |
| GU14781570 | 33.09 | 23 | GU19355323 | 33.04 | 19 | GU29106061 | 33.34 | 12 |
| GU14781670 | 33.08 | 22 | GU19355324 | 33.04 | 19 | GU29106061 | 33.35 | 12 |
| GU14781870 | 33.09 | 24 | GU19355325 | 33.04 | 19 | GU29106660 | 33.07 | 9 |
| GU17034050 | 34.53 | 28 | GU19355326 | 33.04 | 19 | GU29106860 | 33.34 | 27 |
| GU17034050 | 34.54 | 28 | GU19355327 | 33.04 | 19 | GU29106860 | 33.35 | 25 |
| GU17045860 | 34.44 | 2 | GU19355328 | 33.04 | 19 | GU29107261 | 33.34 | 1 |
| GU17045860 | 34.45 | 2 | GU19355329 | 33.04 | 19 | GU29107261 | 33.35 | 1 |
| GU17067900 | 34.31 | 23 | GU19357660 | 33.04 | 20 | GU29107360 | 33.34 | 2 |
| GU17067900 | 34.32 | 23 | GU19705900 | 33.29 | 41 | GU29107360 | 33.35 | 2 |
| GU17121061 | 33.48 | 5 | GU19707100 | 33.13 | 9 | GU29107960 | 33.34 | 20 |
| GU17122962 | 33.48 | 15 | GU19748400 | 33.13 | 11 | GU29108550 | 33.07 | 3 |
| GU17123062 | 33.48 | 10 | GU23440710 | 33.19 | 16 | GU29109161 | 33.34 | 14 |
| GU17335950 | 33.25 | 16 | GU23441210 | 33.19 | 20 | GU29109161 | 33.35 | 14 |
| GU17350400 | 33.04 | 23 | GU23441810 | 33.19 | 18 | GU29112760 | 33.34 | 16 |
| GU17350700 | 33.04 | 24 | GU23443210 | 33.19 | 19 | GU29113035 | 34.42 | 22 |
| GU17351400 | 33.04 | 28 | GU23768310 | 33.06 | 2 | GU29113035 | 34.43 | 22 |
| GU17355400 | 33.04 | 25 | GU25656100 | 33.05 | 19 | GU29113860 | 33.34 | 13 |
| GU17355402 | 33.04 | 25 | GU25656100 | 33.05 | 37 | GU29113860 | 33.35 | 13 |
| GU17355404 | 33.04 | 25 | GU25656100 | 33.20 | 9 | GU29115860 | 33.10 | 15 |
| GU17355406 | 33.04 | 25 | GU25656100 | 33.21 | 12 | GU29116960 | 33.10 | 14 |
| GU17355408 | 33.04 | 25 | GU25656100 | 33.22 | 16 | GU29120950 | 33.48 | 1 |
| GU17355410 | 33.04 | 25 | GU25656102 | 34.51 | 26 | GU29120951 | 33.48 | 2 |
| GU17355412 | 33.04 | 25 | GU27530503 | 33.11 | 6 | GU29123951 | 33.48 | 8 |
| GU17444250 | 33.19 | 29 | GU27530505 | 33.11 | 5 | GU29127185 | 33.07 | 11 |
| GU17451750 | 33.29 | 11 | GU27603020 | 33.16 | 10 | GU29217960 | 34.47 | 7 |
| GU17530260 | 33.28 | 9 | GU27603120 | 33.16 | 9 | GU29326300 | 33.12 | 15 |
| GU17656850 | 33.22 | 17 | GU27603520 | 33.16 | 4 | GU29418360 | 33.29 | 35 |
| GU17658260 | 33.05 | 9 | GU27603620 | 33.16 | 3 | GU29433850 | 33.03 | 25 |
| GU17658260 | 33.21 | 15 | GU27604815 | 33.21 | 5 | GU29442250 | 33.19 | 24 |
| GU17659650 | 33.05 | 17 | GU27661115 | 33.21 | 10 | GU29443501 | 33.19 | 9 |
| GU17718350 | 33.30 | 12 | GU27663615 | 33.21 | 6 | GU29443550 | 33.19 | 15 |
| GU17718350 | 33.40 | 12 | GU27664075 | 33.21 | 3 | GU29446050 | 33.19 | 17 |
| GU17750520 | 33.13 | 23 | GU28058060 | 34.44 | 14 | GU29447150 | 33.19 | 40 |
| GU17751200 | 33.13 | 24 | GU28058060 | 34.45 | 16 | GU29461650 | 33.26 | 2 |
| GU17762200 | 33.06 | 39 | GU28115560 | 34.42 | 17 | GU29482400 | 33.02 | 9 |
| GU17768750 | 34.51 | 20 | GU28115560 | 34.43 | 17 | GU29530562 | 34.42 | 4 |
| GU17999550 | 34.37 | 43 | GU28150560 | 34.51 | 38 | GU29530562 | 34.43 | 4 |
| GU17999550 | 34.38 | 40 | GU28153960 | 34.51 | 36 | GU29606970 | 33.16 | 7 |
| GU18001150 | 34.37 | 20 | GU28157450 | 34.51 | 27 | GU29616450 | 33.25 | 21 |
| GU18001150 | 34.38 | 20 | GU28157850 | 34.51 | 28 | GU29704060 | 34.47 | 15 |
| GU18144350 | 34.51 | 18 | GU28157950 | 33.07 | 15 | GU29711460 | 34.47 | 5 |
| GU18161150 | 33.34 | 11 | GU28157950 | 33.34 | 25 | GU29711960 | 34.47 | 11 |
| GU18161150 | 33.35 | 11 | GU28157950 | 33.35 | 23 | GU29721660 | 33.30 | 16 |
| GU18211050 | 34.36 | 15 | GU28217350 | 34.33 | 29 | GU29722760 | 33.30 | 20 |
| GU18211051 | 34.36 | 15 | GU28236260 | 34.33 | 32 | GU29722760 | 33.40 | 20 |
| GU18211052 | 34.36 | 15 | GU28238261 | 34.33 | 33 | GU29724460 | 33.30 | 2 |
| GU18211054 | 34.36 | 15 | GU28576590 | 33.13 | 5 | GU29727061 | 33.30 | 34 |
| GU18258101 | 33.50 | 13 | GU28576590 | 33.26 | 17 | GU29728960 | 33.39 | 4 |
| GU18258201 | 33.50 | 21 | GU28704900 | 33.13 | 28 | GU29729260 | 33.39 | 2 |
| GU18259151 | 33.22 | 26 | GU28707050 | 33.13 | 27 | GU29729461 | 33.40 | 34 |
| GU18259151 | 33.50 | 6 | GU28716748 | 33.30 | 22 | GU29729762 | 33.39 | 6 |
| GU18352400 | 33.04 | 15 | GU28716748 | 33.40 | 22 | GU29737960 | 33.39 | 5 |
| GU18355100 | 33.04 | 17 | GU28742560 | 33.13 | 22 | GU29995735 | 33.27 | 21 |
| GU18432760 | 33.03 | 17 | GU28742560 | 33.30 | 4 | GU30000770 | 34.37 | 1 |
| GU18434060 | 33.03 | 6 | GU28742560 | 33.40 | 4 | GU30001461 | 34.37 | 15 |
| GU18548000 | 33.12 | 9 | GU28762540 | 33.06 | 5 | GU30001461 | 34.38 | 15 |
| GU18678350 | 33.22 | 28 | GU28763340 | 33.06 | 6 | GU30003260 | 34.37 | 25 |



| Code | Drawing Nr. | Pos. | Code | Drawing Nr. | Pos. | Code | Drawing Nr. | Pos. |
|------------|-------------|------|-------------|-------------|------|------------|-------------|------|
| GU30003560 | 34.37 | 27 | GU30158800 | 34.51 | 19 | GU30601800 | 33.16 | 18 |
| GU30003800 | 34.51 | 39 | GU30158900 | 34.51 | 40 | GU30602500 | 33.16 | 20 |
| GU30004910 | 34.37 | 34 | GU30159000 | 34.51 | 17 | GU30602761 | 33.16 | 11 |
| GU30004910 | 34.38 | 31 | GU30200260 | 34.52 | 1 | GU30603800 | 33.16 | 2 |
| GU30022060 | 34.53 | 20 | GU30200860 | 34.52 | 11 | GU30603804 | 33.16 | 2 |
| GU30022060 | 34.54 | 20 | GU30211160 | 34.36 | 8 | GU30605560 | 33.16 | 16 |
| GU30022160 | 34.53 | 1 | GU30211260 | 34.36 | 9 | GU30605680 | 33.21 | 2 |
| GU30022260 | 34.53 | 2 | GU30211560 | 34.36 | 10 | GU30611460 | 33.25 | 10 |
| GU30022260 | 34.54 | 2 | GU30211660 | 34.36 | 11 | GU30634160 | 33.25 | 19 |
| GU30023670 | 34.53 | 37 | GU30213602 | 34.33 | 1 | GU30638660 | 33.12 | 20 |
| GU30027931 | 33.30 | 31 | GU30214225 | 34.33 | 18 | GU30652202 | 33.05 | 1 |
| GU30036010 | 34.53 | 6 | GU30230725 | 34.33 | 19 | GU30652302 | 33.21 | 16 |
| GU30036110 | 34.53 | 5 | GU30231025 | 34.33 | 8 | GU30654602 | 33.05 | 34 |
| GU30053360 | 34.44 | 3 | GU30231525 | 34.36 | 22 | GU30654602 | 33.21 | 20 |
| GU30057810 | 34.44 | 15 | GU30250860 | 33.50 | 1 | GU30658760 | 33.05 | 16 |
| GU30057810 | 34.45 | 17 | GU30252060 | 33.50 | 15 | GU30659102 | 33.05 | 6 |
| GU30060660 | 34.31 | 4 | GU30252360 | 33.50 | 16 | GU30659102 | 33.21 | 22 |
| GU30060660 | 34.32 | 4 | GU30256860 | 33.50 | 11 | GU30659200 | 33.05 | 5 |
| GU30060760 | 34.31 | 5 | GU30256960 | 33.50 | 14 | GU30659200 | 33.21 | 21 |
| GU30060760 | 34.32 | 5 | GU30257660 | 33.50 | 9 | GU30660180 | 33.21 | 1 |
| GU30060960 | 34.31 | 6 | GU30257860 | 33.50 | 20 | GU30665860 | 33.22 | 12 |
| GU30060960 | 34.32 | 6 | GU30258160 | 33.50 | 10 | GU30666060 | 33.22 | 10 |
| GU30061060 | 34.31 | 7 | GU30328031 | 33.12 | 12 | GU30666760 | 33.22 | 4 |
| GU30061060 | 34.32 | 7 | GU30335260 | 33.25 | 14 | GU30666960 | 33.22 | 1 |
| GU30061241 | 34.31 | 8 | GU30350262 | 33.04 | 1 | GU30675160 | 33.22 | 34 |
| GU30061241 | 34.32 | 8 | GU30350360 | 33.04 | 2 | GU30678160 | 33.22 | 22 |
| GU30064161 | 34.31 | 18 | GU30354602 | 33.04 | 29 | GU30678160 | 33.50 | 2 |
| GU30064161 | 34.32 | 18 | GU30356760 | 33.04 | 13 | GU30705061 | 33.13 | 29 |
| GU30081810 | 34.36 | 3 | GU30401061 | 33.34 | 23 | GU30714201 | 34.47 | 3 |
| GU30093860 | 33.16 | 22 | GU30402770 | 33.30 | 11 | GU30716500 | 33.30 | 21 |
| GU30105200 | 33.35 | 20 | GU30424660 | 34.52 | 37 | GU30716500 | 33.40 | 21 |
| GU30106170 | 33.34 | 9 | GU30425260 | 33.19 | 37 | GU30717061 | 33.30 | 15 |
| GU30106170 | 33.35 | 9 | GU30429760 | 33.03 | 36 | GU30717061 | 33.40 | 15 |
| GU30106620 | 33.07 | 8 | GU30429860 | 33.03 | 15 | GU30717410 | 33.30 | 14 |
| GU30106800 | 33.34 | 10 | GU30429960 | 33.03 | 14 | GU30717410 | 33.40 | 14 |
| GU30106800 | 33.35 | 10 | GU30430360 | 33.03 | 1 | GU30728230 | 33.30 | 29 |
| GU30108070 | 33.34 | 19 | GU30432060 | 33.03 | 3 | GU30728230 | 33.40 | 29 |
| GU30108270 | 33.34 | 15 | GU30433560 | 33.03 | 33 | GU30728970 | 33.39 | 3 |
| GU30108770 | 33.34 | 22 | GU304370602 | 33.18 | 19 | GU30729331 | 33.30 | 18 |
| GU30109330 | 33.48 | 21 | GU30447060 | 33.19 | 8 | GU30729331 | 33.40 | 18 |
| GU30112571 | 34.42 | 1 | GU30450260 | 33.29 | 3 | GU30729570 | 33.39 | 1 |
| GU30112571 | 34.43 | 1 | GU30461360 | 33.29 | 21 | GU30730711 | 34.49 | 1 |
| GU30113370 | 34.42 | 18 | GU30462060 | 33.29 | 25 | GU30732200 | 33.30 | 45 |
| GU30113460 | 33.10 | 3 | GU30462160 | 33.29 | 31 | GU30732200 | 33.40 | 43 |
| GU30113470 | 34.42 | 19 | GU30462360 | 33.29 | 24 | GU30732400 | 33.30 | 44 |
| GU30113600 | 33.10 | 2 | GU30463260 | 33.29 | 33 | GU30732400 | 33.40 | 42 |
| GU30114060 | 33.10 | 1 | GU30466860 | 33.29 | 27 | GU30732560 | 33.13 | 21 |
| GU30114370 | 34.42 | 7 | GU30468104 | 34.42 | 23 | GU30732560 | 33.30 | 3 |
| GU30114370 | 34.43 | 7 | GU30468104 | 34.43 | 23 | GU30732560 | 33.40 | 3 |
| GU30114470 | 34.42 | 5 | GU30474660 | 33.09 | 14 | GU30732900 | 33.39 | 10 |
| GU30114470 | 34.43 | 5 | GU30477101 | 33.13 | 16 | GU30732900 | 33.40 | 32 |
| GU30114560 | 33.10 | 9 | GU30477200 | 33.13 | 17 | GU30732900 | 33.06 | 38 |
| GU30114660 | 33.10 | 8 | GU30479560 | 33.29 | 20 | GU30735500 | 33.16 | 8 |
| GU30115070 | 34.42 | 8 | GU30482560 | 33.02 | 2 | GU30738060 | 33.16 | 8 |
| GU30115070 | 34.43 | 8 | GU30485760 | 33.02 | 3 | GU30738860 | 33.16 | 5 |
| GU30115071 | 34.42 | 9 | GU30513400 | 33.28 | 2 | GU30738873 | 33.16 | 5 |
| GU30115071 | 34.43 | 9 | GU30516500 | 33.28 | 3 | GU30740960 | 33.09 | 1 |
| GU30115220 | 33.07 | 12 | GU30530510 | 34.49 | 3 | GU30741760 | 33.09 | 2 |
| GU30118670 | 34.42 | 22 | GU30530511 | 34.49 | 4 | GU30746360 | 33.13 | 12 |
| GU30118670 | 34.43 | 22 | GU30530512 | 34.49 | 9 | GU30749760 | 33.13 | 3 |
| GU30123430 | 33.48 | 9 | GU30530521 | 33.11 | 54 | GU30749860 | 33.21 | 7 |
| GU30135200 | 33.16 | 13 | GU30530528 | 33.16 | 19 | GU30751660 | 33.09 | 10 |
| GU30146400 | 34.51 | 1 | GU30530561 | 33.11 | 55 | GU30751661 | 33.09 | 10 |
| GU30147700 | 34.51 | 4 | GU30547060 | 33.12 | 6 | GU30753160 | 33.13 | 10 |
| GU30150900 | 34.51 | 14 | GU30547860 | 33.12 | 4 | GU30758460 | 33.09 | 22 |
| GU30153000 | 34.51 | 11 | GU30576100 | 33.09 | 6 | GU30759600 | 33.30 | 39 |
| GU30158701 | 34.51 | 13 | GU30576100 | 33.18 | 17 | GU30759600 | 33.40 | 39 |
| | | | | | | GU30909961 | 33.29 | 42 |



| Code | Drawing Nr. | Pos. | Code | Drawing Nr. | Pos. | Code | Drawing Nr. | Pos. |
|------------|-------------|------|------------|-------------|------|------------|-------------|------|
| GU30922260 | 33.13 | 6 | GU61013800 | 33.29 | 18 | GU90706170 | 34.46 | 11 |
| GU30999060 | 34.37 | 44 | GU61013800 | 33.30 | 24 | GU90706178 | 34.37 | 35 |
| GU30999060 | 34.38 | 41 | GU61013800 | 33.34 | 5 | GU90706178 | 34.38 | 32 |
| GU31003766 | 33.04 | 33 | GU61013800 | 33.35 | 5 | GU90706178 | 34.47 | 8 |
| GU31003766 | 34.37 | 28 | GU61013800 | 33.40 | 10 | GU90706203 | 33.04 | 7 |
| GU31003766 | 34.52 | 34 | GU61013800 | 33.40 | 24 | GU90706203 | 34.33 | 31 |
| GU31103565 | 33.27 | 14 | GU61013800 | 33.50 | 8 | GU90706203 | 34.36 | 6 |
| GU31468165 | 33.23 | 7 | GU61013800 | 34.42 | 15 | GU90706203 | 34.52 | 24 |
| GU31482565 | 33.02 | 2 | GU61013800 | 34.43 | 15 | GU90706203 | 34.53 | 16 |
| GU31485765 | 33.02 | 3 | GU61270300 | 33.03 | 30 | GU90706203 | 34.54 | 16 |
| GU31487665 | 33.01 | 2 | GU61270300 | 33.19 | 25 | GU90706219 | 34.33 | 28 |
| GU31487765 | 33.01 | 4 | GU61270300 | 33.22 | 25 | GU90706235 | 34.36 | 4 |
| GU31487765 | 33.14 | 10 | GU61270300 | 33.23 | 5 | GU90706313 | 34.37 | 37 |
| GU31488065 | 33.01 | 10 | GU61270300 | 33.28 | 22 | GU90706313 | 34.38 | 34 |
| GU31659260 | 33.20 | 3 | GU61270300 | 33.29 | 9 | GU90706490 | 33.25 | 13 |
| GU31743765 | 33.08 | 19 | GU61270300 | 33.48 | 19 | GU90706584 | 33.04 | 16 |
| GU31743766 | 33.08 | 20 | GU61270300 | 33.50 | 5 | GU90706584 | 33.12 | 19 |
| GU31744765 | 33.08 | 21 | GU61270300 | 34.37 | 13 | GU90714053 | 33.10 | 16 |
| GU31745865 | 33.09 | 15 | GU61270300 | 34.38 | 13 | GU90714082 | 33.10 | 19 |
| GU31750560 | 33.13 | 33 | GU61270300 | 34.44 | 17 | GU90714103 | 33.35 | 21 |
| GU31753765 | 33.08 | 17 | GU61270300 | 34.45 | 19 | GU90718370 | 33.48 | 3 |
| GU31753765 | 33.09 | 12 | GU63657000 | 33.22 | 20 | GU91111511 | 34.53 | 27 |
| GU31755660 | 33.13 | 34 | GU65061300 | 34.51 | 35 | GU91111511 | 34.54 | 27 |
| GU31769465 | 33.16 | 23 | GU65663500 | 33.22 | 7 | GU91112128 | 34.31 | 16 |
| GU37045006 | 34.44 | 1 | GU66468115 | 33.29 | 34 | GU91112128 | 34.32 | 16 |
| GU37045006 | 34.45 | 1 | GU66478610 | 33.18 | 16 | GU91120808 | 33.26 | 21 |
| GU37061506 | 34.31 | 14 | GU66478610 | 33.26 | 6 | GU91180408 | 34.43 | 21 |
| GU37061506 | 34.32 | 14 | GU89000263 | 33.26 | 4 | GU91180600 | 33.27 | 26 |
| GU37062005 | 34.31 | 17 | GU89000264 | 33.26 | 8 | GU91180602 | 33.19 | 23 |
| GU37062005 | 34.32 | 17 | GU89000346 | 33.27 | 1 | GU91180605 | 33.30 | 41 |
| GU37062006 | 34.31 | 17 | GU89000347 | 33.18 | 1 | GU91180607 | 33.13 | 15 |
| GU37062006 | 34.32 | 17 | GU89000348 | 33.18 | 19 | GU91180607 | 33.30 | 9 |
| GU37062007 | 34.31 | 17 | GU89000349 | 33.26 | 4 | GU91180721 | 33.06 | 20 |
| GU37062007 | 34.32 | 17 | GU89000350 | 33.26 | 8 | GU91180725 | 33.29 | 28 |
| GU37062008 | 34.31 | 17 | GU89000356 | 33.27 | 1 | GU91181210 | 33.29 | 5 |
| GU37062008 | 34.32 | 17 | GU89000357 | 33.27 | 1 | GU91551010 | 33.09 | 7 |
| GU37062206 | 34.31 | 15 | GU89000358 | 33.07 | 1 | GU91551010 | 33.18 | 18 |
| GU37062206 | 34.32 | 15 | GU89000359 | 33.07 | 1 | GU91551034 | 34.43 | 24 |
| GU37064106 | 34.32 | 18 | GU89000362 | 33.26 | 4 | GU91551080 | 33.13 | 14 |
| GU37065405 | 34.31 | 19 | GU89000363 | 33.26 | 8 | GU91551080 | 33.30 | 8 |
| GU37065405 | 34.32 | 19 | GU89000365 | 33.07 | 1 | GU91551081 | 33.27 | 27 |
| GU37121205 | 33.48 | 4 | GU90118152 | 34.53 | 31 | GU91551099 | 33.18 | 20 |
| GU37613305 | 33.24 | 7 | GU90118152 | 34.54 | 31 | GU91551105 | 33.08 | 4 |
| GU37703805 | 34.47 | 2 | GU90271020 | 33.12 | 17 | GU91551105 | 33.26 | 15 |
| GU37712306 | 34.47 | 9 | GU90272037 | 33.35 | 19 | GU91551106 | 33.26 | 20 |
| GU37712405 | 34.47 | 1 | GU90272062 | 33.12 | 13 | GU91551120 | 33.05 | 14 |
| GU39103400 | 33.03 | 32 | GU90280009 | 33.09 | 19 | GU91551131 | 33.27 | 15 |
| GU39103400 | 33.29 | 14 | GU90351038 | 34.31 | 9 | GU91600450 | 34.47 | 10 |
| GU39103500 | 33.03 | 27 | GU90351038 | 34.32 | 9 | GU91702355 | 34.44 | 13 |
| GU39103500 | 33.29 | 16 | GU90353016 | 34.53 | 7 | GU91702355 | 34.45 | 15 |
| GU39663801 | 33.21 | 4 | GU90353016 | 34.54 | 7 | GU92201070 | 33.04 | 26 |
| GU39922200 | 33.18 | 4 | GU90402840 | 34.37 | 19 | GU92201417 | 34.52 | 13 |
| GU43083810 | 34.33 | 3 | GU90402840 | 34.38 | 19 | GU92201821 | 33.24 | 3 |
| GU43262180 | 33.22 | 23 | GU90403040 | 33.12 | 7 | GU92204220 | 33.25 | 3 |
| GU55234700 | 34.52 | 30 | GU90403547 | 34.52 | 2 | GU92204230 | 33.12 | 14 |
| GU55235000 | 34.33 | 22 | GU90403548 | 34.52 | 31 | GU92218424 | 34.52 | 7 |
| GU55235001 | 34.33 | 22 | GU90403850 | 33.04 | 10 | GU92234717 | 34.52 | 8 |
| GU55235002 | 34.33 | 22 | GU90405367 | 34.37 | 42 | GU92249217 | 33.12 | 8 |
| GU55235003 | 34.33 | 22 | GU90405367 | 34.38 | 39 | GU92249225 | 33.28 | 6 |
| GU61013800 | 33.03 | 23 | GU90407085 | 33.04 | 27 | GU92249227 | 33.04 | 14 |
| GU61013800 | 33.05 | 13 | GU90706094 | 34.31 | 11 | GU92251022 | 34.33 | 7 |
| GU61013800 | 33.10 | 7 | GU90706094 | 34.32 | 11 | GU92251030 | 34.33 | 30 |
| GU61013800 | 33.13 | 7 | GU90706094 | 34.53 | 21 | GU92251030 | 34.36 | 20 |
| GU61013800 | 33.19 | 22 | GU90706094 | 34.54 | 21 | GU92252210 | 34.51 | 3 |
| GU61013800 | 33.22 | 29 | GU90706140 | 34.52 | 12 | GU92254340 | 33.04 | 12 |
| GU61013800 | 33.25 | 17 | GU90706141 | 33.30 | 19 | GU92256218 | 34.52 | 3 |
| GU61013800 | 33.28 | 14 | GU90706141 | 33.40 | 19 | GU92258525 | 34.36 | 16 |

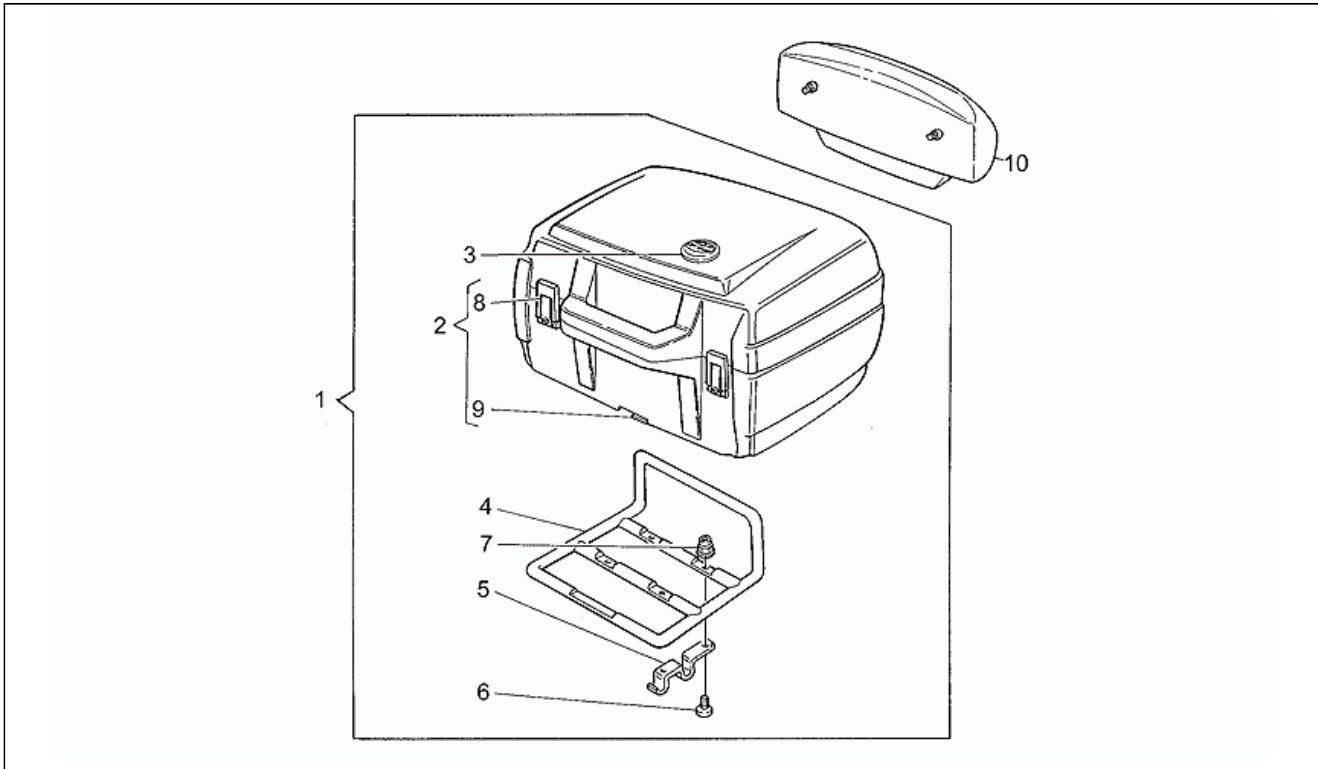


| Code | Drawing Nr. | Pos. | Code | Drawing Nr. | Pos. | Code | Drawing Nr. | Pos. |
|------------|-------------|------|------------|-------------|------|------------|-------------|------|
| GU92259017 | 34.33 | 6 | GU92660601 | 33.29 | 13 | GU95000213 | 33.03 | 13 |
| GU92295702 | 34.33 | 15 | GU92660601 | 33.30 | 10 | GU95000213 | 33.19 | 13 |
| GU92295708 | 33.21 | 9 | GU92660601 | 33.34 | 6 | GU95001206 | 33.23 | 3 |
| GU92295708 | 33.23 | 9 | GU92660601 | 33.35 | 6 | GU95004204 | 34.43 | 21 |
| GU92296750 | 34.36 | 18 | GU92660601 | 33.40 | 11 | GU95004205 | 33.05 | 28 |
| GU92601002 | 33.21 | 23 | GU92660601 | 34.47 | 14 | GU95004205 | 33.30 | 42 |
| GU92601003 | 33.30 | 33 | GU92660801 | 33.27 | 16 | GU95004205 | 33.40 | 41 |
| GU92601003 | 33.40 | 33 | GU92690073 | 33.22 | 35 | GU95004206 | 33.06 | 25 |
| GU92602204 | 33.30 | 37 | GU92781053 | 33.18 | 11 | GU95004206 | 34.37 | 31 |
| GU92602204 | 33.40 | 37 | GU92781053 | 34.41 | 5 | GU95004206 | 34.38 | 28 |
| GU92602205 | 33.03 | 20 | GU92781062 | 33.50 | 7 | GU95004206 | 34.42 | 11 |
| GU92602206 | 33.03 | 24 | GU92781062 | 34.42 | 16 | GU95004206 | 34.51 | 16 |
| GU92602206 | 33.16 | 17 | GU92781062 | 34.43 | 16 | GU95004206 | 34.53 | 40 |
| GU92602206 | 33.22 | 30 | GU92781081 | 33.04 | 5 | GU95004206 | 34.54 | 40 |
| GU92602206 | 33.23 | 4 | GU92781081 | 34.37 | 5 | GU95004208 | 33.08 | 10 |
| GU92602206 | 33.29 | 10 | GU92781081 | 34.38 | 5 | GU95004208 | 33.19 | 6 |
| GU92602206 | 33.29 | 19 | GU92781085 | 33.48 | 7 | GU95004208 | 33.28 | 19 |
| GU92602206 | 33.30 | 26 | GU93180080 | 33.29 | 30 | GU95004208 | 33.29 | 37 |
| GU92602206 | 33.39 | 8 | GU93180111 | 33.24 | 14 | GU95004208 | 33.48 | 12 |
| GU92602206 | 33.40 | 26 | GU93180216 | 33.29 | 2 | GU95004208 | 34.37 | 4 |
| GU92602206 | 33.50 | 12 | GU93180220 | 34.52 | 22 | GU95004208 | 34.38 | 4 |
| GU92602208 | 33.17 | 21 | GU93180245 | 33.04 | 32 | GU95004210 | 33.03 | 8 |
| GU92602208 | 34.37 | 8 | GU93180245 | 33.19 | 35 | GU95004210 | 33.12 | 3 |
| GU92602208 | 34.38 | 8 | GU93180245 | 34.52 | 36 | GU95004219 | 33.24 | 11 |
| GU92602308 | 34.51 | 5 | GU93180577 | 34.41 | 4 | GU95007204 | 34.42 | 21 |
| GU92602312 | 33.03 | 16 | GU93221315 | 33.30 | 35 | GU95007208 | 33.04 | 22 |
| GU92602312 | 33.19 | 14 | GU93221330 | 33.40 | 6 | GU95007208 | 33.48 | 14 |
| GU92602312 | 33.19 | 33 | GU93222020 | 33.06 | 19 | GU95008208 | 33.02 | 8 |
| GU92602312 | 33.29 | 7 | GU93222020 | 33.30 | 28 | GU95008208 | 33.14 | 7 |
| GU92602408 | 33.05 | 30 | GU93222020 | 33.40 | 28 | GU95021104 | 33.30 | 27 |
| GU92602408 | 33.17 | 18 | GU93231606 | 33.19 | 7 | GU95021104 | 33.30 | 36 |
| GU92602508 | 33.03 | 31 | GU93305008 | 33.07 | 13 | GU95021104 | 33.40 | 27 |
| GU92602508 | 34.46 | 15 | GU93305017 | 33.10 | 13 | GU95021104 | 33.40 | 36 |
| GU92602512 | 33.19 | 32 | GU93305017 | 33.34 | 8 | GU95021110 | 33.19 | 39 |
| GU92602512 | 33.50 | 19 | GU93305017 | 33.35 | 8 | GU95021112 | 33.19 | 31 |
| GU92602512 | 34.52 | 15 | GU93305017 | 34.51 | 29 | GU95021112 | 33.29 | 6 |
| GU92602518 | 34.44 | 9 | GU93305060 | 34.42 | 6 | GU95028022 | 34.36 | 2 |
| GU92602518 | 34.45 | 11 | GU93305061 | 34.43 | 6 | GU95100116 | 34.42 | 13 |
| GU92602525 | 34.44 | 12 | GU93450119 | 33.08 | 7 | GU95100116 | 34.43 | 13 |
| GU92602525 | 34.45 | 14 | GU93450120 | 33.06 | 8 | GU95100118 | 33.13 | 19 |
| GU92603010 | 34.53 | 23 | GU93450127 | 33.08 | 16 | GU95100118 | 33.30 | 6 |
| GU92603010 | 34.54 | 23 | GU93450127 | 33.09 | 11 | GU95100120 | 33.09 | 8 |
| GU92603516 | 34.47 | 4 | GU93450140 | 33.06 | 34 | GU95100121 | 33.39 | 7 |
| GU92622318 | 33.35 | 4 | GU93450224 | 33.09 | 3 | GU95100141 | 33.34 | 26 |
| GU92630104 | 33.05 | 11 | GU93450232 | 33.08 | 5 | GU95100141 | 33.35 | 24 |
| GU92630104 | 33.09 | 17 | GU93601022 | 34.36 | 1 | GU95100144 | 33.06 | 22 |
| GU92630106 | 33.50 | 23 | GU93704160 | 33.24 | 12 | GU95100173 | 33.22 | 38 |
| GU92630108 | 33.05 | 23 | GU94321007 | 33.23 | 8 | GU95100239 | 33.27 | 13 |
| GU92630108 | 33.19 | 11 | GU94321051 | 34.36 | 19 | GU95100239 | 33.28 | 18 |
| GU92630110 | 33.03 | 11 | GU94321067 | 34.52 | 29 | GU95100304 | 34.37 | 29 |
| GU92630110 | 33.11 | 10 | GU94321070 | 33.16 | 15 | GU95100332 | 33.05 | 4 |
| GU92630205 | 33.05 | 29 | GU94321072 | 34.51 | 15 | GU95100332 | 33.09 | 20 |
| GU92630206 | 33.09 | 9 | GU94321079 | 34.51 | 15 | GU95100332 | 33.21 | 19 |
| GU92630206 | 33.13 | 20 | GU94321105 | 34.46 | 13 | GU95100333 | 33.05 | 4 |
| GU92630206 | 33.22 | 19 | GU94322185 | 33.50 | 18 | GU95100333 | 33.21 | 19 |
| GU92630206 | 33.28 | 12 | GU94322215 | 34.53 | 30 | GU95100409 | 33.50 | 17 |
| GU92630206 | 33.30 | 7 | GU94322215 | 34.54 | 30 | GU95100414 | 33.19 | 30 |
| GU92630508 | 33.19 | 26 | GU95000204 | 33.09 | 16 | GU95100431 | 33.28 | 17 |
| GU92630508 | 33.29 | 39 | GU95000204 | 33.40 | 8 | GU95100523 | 34.51 | 18 |
| GU92630508 | 33.48 | 13 | GU95000205 | 33.10 | 5 | GU95100709 | 34.37 | 33 |
| GU92640106 | 33.02 | 11 | GU95000206 | 33.17 | 20 | GU95100709 | 34.38 | 30 |
| GU92650106 | 33.06 | 23 | GU95000206 | 33.17 | 9 | GU95100837 | 34.44 | 11 |
| GU92660007 | 33.01 | 7 | GU95000206 | 33.19 | 36 | GU95100837 | 34.45 | 13 |
| GU92660007 | 33.06 | 23 | GU95000206 | 33.22 | 9 | GU95120032 | 33.30 | 32 |
| GU92660007 | 33.14 | 13 | GU95000206 | 33.28 | 11 | GU95120065 | 34.44 | 6 |
| GU92660208 | 33.10 | 11 | GU95000206 | 33.29 | 38 | GU95120065 | 34.45 | 7 |
| GU92660601 | 33.26 | 7 | GU95000206 | 34.47 | 13 | GU95120065 | 34.51 | 33 |



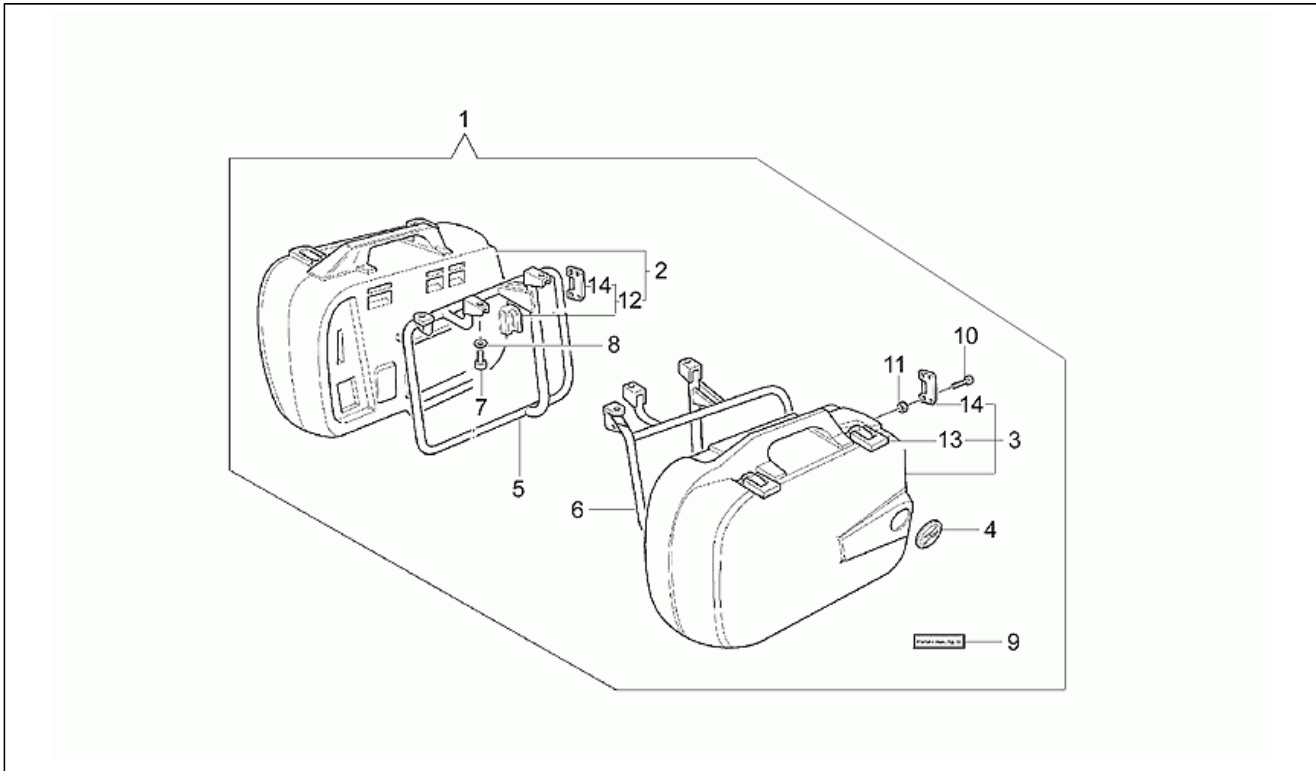
| Code | Drawing Nr. | Pos. | Code | Drawing Nr. | Pos. | Code | Drawing Nr. | Pos. |
|---------------|-------------|------|------------|-------------|------|------------|-------------|------|
| GU95120065 | 34.53 | 35 | GU98054316 | 34.51 | 9 | GU98620225 | 33.10 | 4 |
| GU95120065 | 34.54 | 35 | GU98054316 | 34.53 | 34 | GU98620230 | 33.10 | 4 |
| GU95120085 | 34.51 | 6 | GU98054316 | 34.54 | 34 | GU98620265 | 34.47 | 6 |
| GU95129100 | 33.06 | 17 | GU98054320 | 34.44 | 5 | GU98620335 | 34.37 | 17 |
| GU95129110 | 33.22 | 32 | GU98054320 | 34.45 | 6 | GU98620335 | 34.38 | 17 |
| GU95129130 | 33.22 | 37 | GU98054320 | 34.51 | 37 | GU98620335 | 34.52 | 17 |
| GU95129180 | 33.05 | 3 | GU98054322 | 33.09 | 5 | GU98620340 | 33.11 | 40 |
| GU95129180 | 33.21 | 18 | GU98054325 | 33.28 | 10 | GU98620360 | 34.37 | 30 |
| GU95129180 | 34.53 | 18 | GU98054412 | 33.22 | 5 | GU98621650 | 33.19 | 28 |
| GU95129180 | 34.54 | 18 | GU98054416 | 33.03 | 35 | GU98621650 | 33.29 | 4 |
| GU95187006 | 34.51 | 10 | GU98054416 | 33.29 | 36 | GU98622116 | 33.30 | 40 |
| GU95500222 | 33.22 | 33 | GU98054418 | 33.03 | 26 | GU98622125 | 33.30 | 25 |
| GU95500222 | 34.46 | 17 | GU98054420 | 34.31 | 24 | GU98622125 | 33.40 | 25 |
| GU95512081 | 34.37 | 9 | GU98054420 | 34.32 | 24 | GU98622210 | 33.30 | 17 |
| GU95512081 | 34.38 | 9 | GU98054425 | 34.37 | 12 | GU98622210 | 33.40 | 17 |
| GU95512081 | 34.52 | 9 | GU98054425 | 34.38 | 12 | GU98622310 | 33.13 | 18 |
| GU95522508 | 33.29 | 32 | GU98054522 | 33.19 | 38 | GU98622310 | 33.22 | 8 |
| GU95740175 | 33.22 | 36 | GU98110007 | 33.48 | 20 | GU98622310 | 33.30 | 23 |
| GU95770265 | 33.22 | 31 | GU98200214 | 33.21 | 8 | GU98622310 | 33.40 | 23 |
| GU95780271 | 34.46 | 16 | GU98230510 | 33.06 | 16 | GU98622312 | 33.06 | 24 |
| GU95980214 | 33.04 | 8 | GU98230609 | 33.06 | 21 | GU98622312 | 33.13 | 4 |
| GU95980214 | 34.52 | 25 | GU98230612 | 33.09 | 13 | GU98622312 | 33.34 | 17 |
| GU95980610 | 34.52 | 32 | GU98230612 | 33.10 | 6 | GU98622316 | 33.06 | 24 |
| GU95985223 | 33.10 | 18 | GU98230612 | 33.40 | 9 | GU98622316 | 33.08 | 12 |
| GU95985351 | 33.13 | 32 | GU98230615 | 33.05 | 12 | GU98622316 | 33.13 | 13 |
| GU95990028 | 33.05 | 36 | GU98230615 | 33.19 | 42 | GU98622316 | 33.17 | 19 |
| GU95990028 | 33.20 | 8 | GU98230615 | 33.27 | 30 | GU98622316 | 33.17 | 8 |
| GU95990028 | 33.21 | 11 | GU98230615 | 34.52 | 21 | GU98622316 | 34.52 | 5 |
| GU95990028 | 33.22 | 15 | GU98230616 | 33.22 | 18 | GU98622318 | 33.34 | 4 |
| GU95990037 | 34.51 | 24 | GU98230618 | 33.27 | 24 | GU98622318 | 34.47 | 12 |
| GU95990040 | 33.20 | 10 | GU98230619 | 33.23 | 10 | GU98622320 | 33.22 | 2 |
| GU96506039 | 34.42 | 14 | GU98230621 | 33.01 | 6 | GU98622320 | 33.30 | 5 |
| GU96506039 | 34.43 | 14 | GU98230621 | 33.09 | 4 | GU98622325 | 34.37 | 16 |
| GU96506051 | 33.29 | 26 | GU98230621 | 33.14 | 12 | GU98622325 | 34.37 | 30 |
| GU96508040 | 34.53 | 19 | GU98230621 | 33.19 | 5 | GU98622325 | 34.38 | 16 |
| GU96508040 | 34.54 | 19 | GU98230621 | 33.28 | 13 | GU98622325 | 34.38 | 27 |
| GU96508045 | 33.04 | 3 | GU98230622 | 33.18 | 15 | GU98622325 | 34.42 | 10 |
| GU96508066 | 34.37 | 3 | GU98230626 | 33.26 | 18 | GU98622325 | 34.43 | 10 |
| GU96508066 | 34.38 | 3 | GU98230640 | 33.06 | 21 | GU98622325 | 34.52 | 16 |
| GU96508075 | 34.37 | 7 | GU98230645 | 33.26 | 13 | GU98622325 | 34.53 | 39 |
| GU96508075 | 34.38 | 7 | GU98230816 | 33.22 | 24 | GU98622325 | 34.54 | 39 |
| GU97011801000 | 33.16 | 6 | GU98230816 | 33.29 | 22 | GU98622420 | 33.17 | 16 |
| GU97011802000 | 33.16 | 14 | GU98230816 | 33.50 | 4 | GU98622420 | 33.29 | 40 |
| GU97011803000 | 33.16 | 21 | GU98230820 | 33.24 | 8 | GU98622425 | 33.17 | 17 |
| GU97012300000 | 33.06 | 4 | GU98230825 | 33.24 | 8 | GU98622430 | 33.11 | 1 |
| GU97202112 | 34.43 | 20 | GU98230830 | 33.27 | 12 | GU98622430 | 34.51 | 7 |
| GU98052225 | 33.18 | 10 | GU98230835 | 33.48 | 18 | GU98622525 | 33.20 | 4 |
| GU98052250 | 33.05 | 27 | GU98230841 | 33.05 | 22 | GU98622530 | 33.05 | 2 |
| GU98052325 | 33.50 | 22 | GU98230845 | 33.29 | 8 | GU98622530 | 33.21 | 17 |
| GU98052390 | 34.37 | 26 | GU98230851 | 33.18 | 13 | GU98623530 | 33.05 | 2 |
| GU98052390 | 34.38 | 25 | GU98250820 | 34.37 | 38 | GU98623530 | 33.21 | 17 |
| GU98052430 | 33.19 | 10 | GU98250820 | 34.38 | 35 | GU98623635 | 33.19 | 27 |
| GU98052435 | 34.44 | 16 | GU98260415 | 33.06 | 37 | GU98623640 | 33.19 | 34 |
| GU98052435 | 34.45 | 18 | GU98270620 | 33.17 | 11 | GU98662435 | 33.16 | 12 |
| GU98052440 | 33.03 | 28 | GU98270620 | 33.17 | 2 | GU98690440 | 33.02 | 7 |
| GU98052475 | 34.49 | 10 | GU98280410 | 33.05 | 10 | GU98690440 | 33.14 | 6 |
| GU98052535 | 33.12 | 2 | GU98310610 | 34.42 | 12 | GU98690445 | 33.02 | 7 |
| GU98052545 | 33.03 | 7 | GU98310610 | 34.43 | 12 | GU98690445 | 33.14 | 6 |
| GU98052550 | 33.03 | 34 | GU98310631 | 34.37 | 22 | GU98822316 | 33.29 | 15 |
| GU98052560 | 33.11 | 3 | GU98310631 | 34.38 | 22 | GU98822325 | 34.52 | 35 |
| GU98054110 | 33.40 | 7 | GU98326016 | 33.26 | 5 | GU98872110 | 33.06 | 33 |
| GU98054210 | 33.10 | 10 | GU98350318 | 33.02 | 10 | GU98872115 | 33.06 | 27 |
| GU98054216 | 33.03 | 19 | GU98610110 | 33.30 | 30 | GU99210422 | 33.09 | 18 |
| GU98054312 | 33.25 | 18 | GU98610110 | 33.40 | 30 | | | |
| GU98054312 | 33.29 | 29 | GU98612110 | 34.42 | 20 | | | |
| GU98054314 | 33.19 | 21 | GU98612110 | 34.43 | 20 | | | |
| GU98054316 | 33.03 | 38 | GU98612314 | 33.08 | 18 | | | |

| | |
|--------------------|---------|
| Assembly | FRAME |
| Code | 33.01 |
| Description | Top box |
| Revision | 1 |



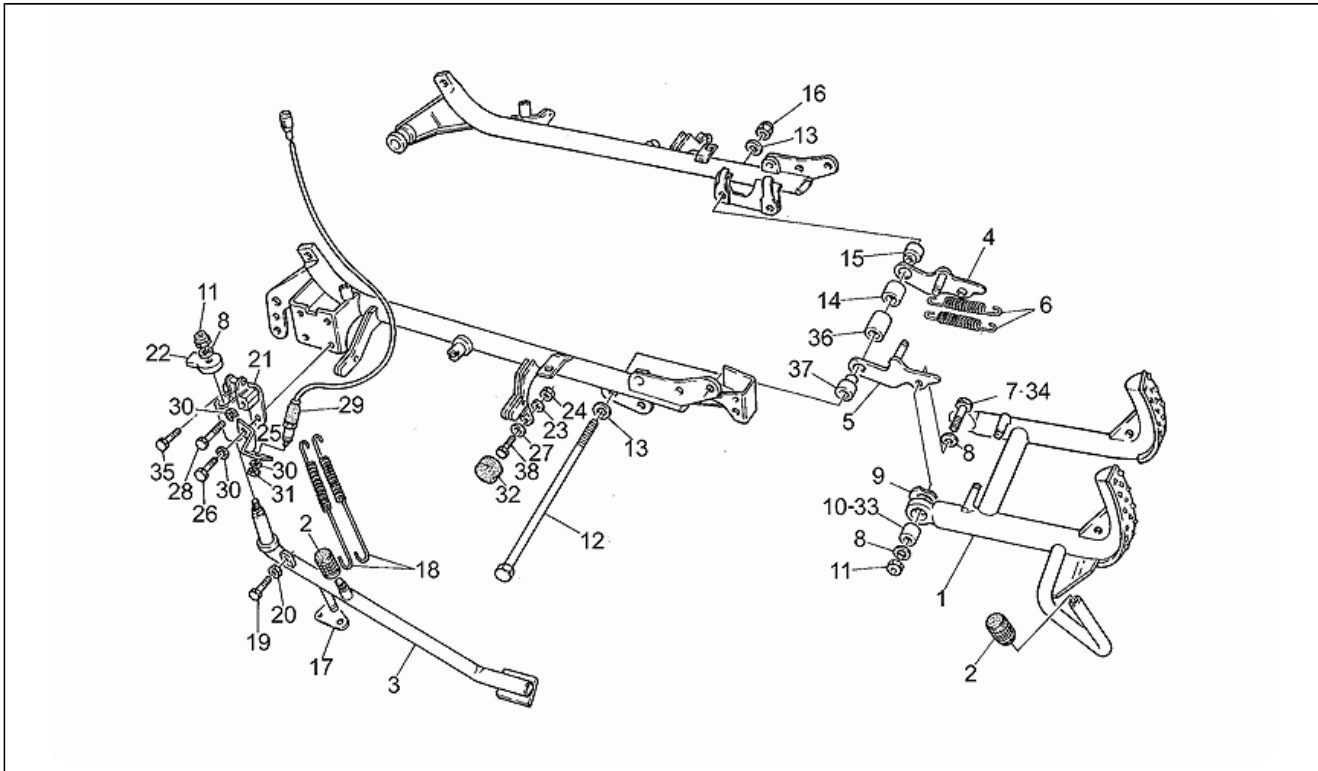
| Pos. | Code | Description | Q.ty | Variants |
|------|------------|----------------------------|------|----------|
| 1 | GU03487500 | Top box kit 40 L | 1 | |
| 1 | GU03487501 | Top box kit 45 L | 1 | |
| 2 | GU03487600 | Top box 45 L | 1 | |
| 2 | GU31487665 | Top box 40 L | 1 | |
| 3 | GU03482000 | "MotoGuzzi" dec. 45 L | 1 | |
| 3 | GU03482001 | "MotoGuzzi" dec. 40 L | 1 | |
| 4 | GU31487765 | Support plate | 2 | |
| 5 | GU03487802 | Clamp | 1 | |
| 6 | GU98230621 | Screw M6X20 | 4 | |
| 7 | GU92660007 | Flanged nut M6x9 | 4 | |
| 8 | GU03484001 | Lock | 2 | |
| 9 | GU03484000 | Lock | 1 | |
| 10 | GU03488000 | Top box backrest 45 L 45 L | 1 | |
| 10 | GU31488065 | Top box backrest 40 L | 1 | |

| | |
|--------------------|------------|
| Assembly | FRAME |
| Code | 33.02 |
| Description | Side cases |
| Revision | 1 |



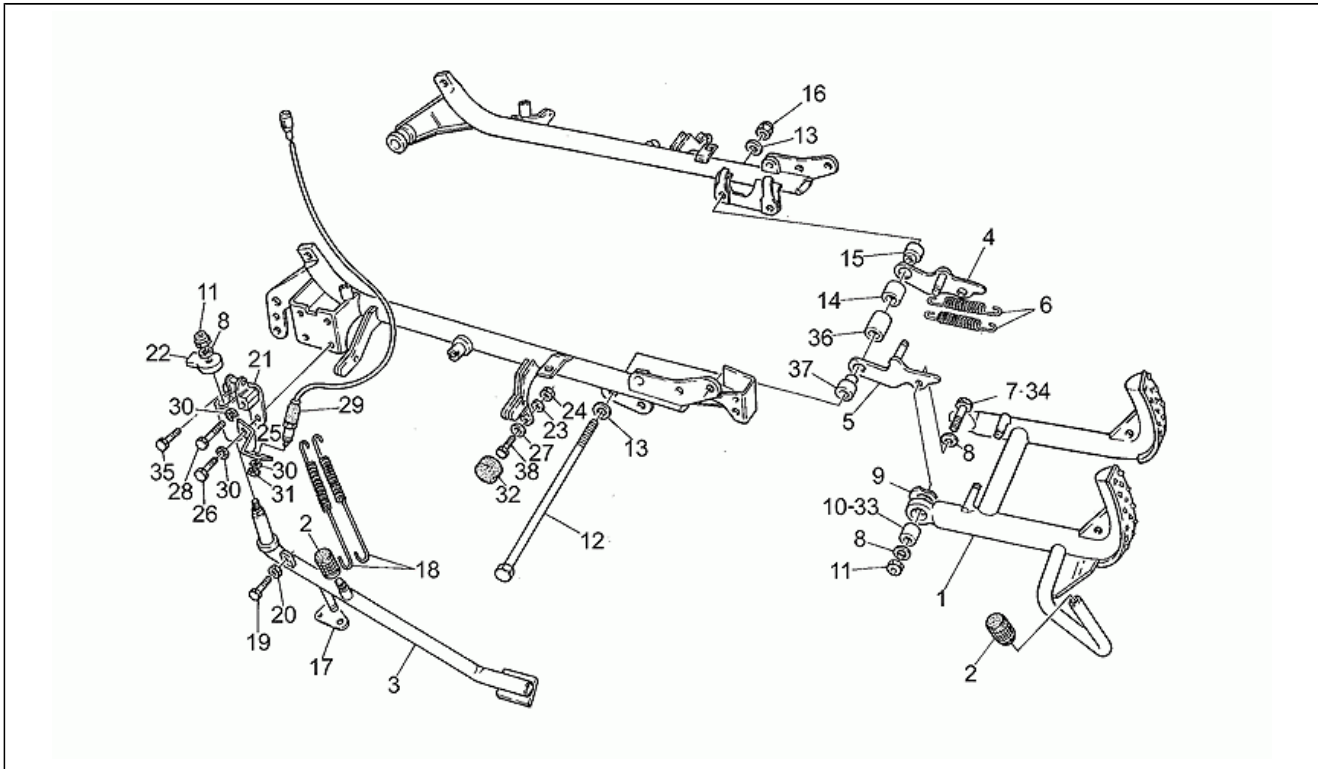
| Pos. | Code | Description | Q.ty | Variants |
|------|------------|------------------------|------|---|
| 1 | GU03480050 | Suitcase kit 40 L | 1 | Technical Specifications: See spare parts comm.n.015 of 2001[01501N] |
| 1 | GU03480051 | Suitcase kit 30 L | 1 | Technical Specifications: See spare parts comm.n.015 of 2001[01501N] |
| 2 | GU30482560 | RH suitcase 40 L | 1 | |
| 2 | GU31482565 | RH suitcase 30 L | 1 | |
| 3 | GU30485760 | LH suitcase 40 L | 1 | |
| 3 | GU31485765 | LH suitcase 30 L | 1 | |
| 4 | GU03482000 | "MotoGuzzi" dec. 45 L | 2 | |
| 5 | GU03485050 | RH support | 1 | Technical Specifications: See spare parts comm.n.015 of 2001[01501N] |
| 6 | GU03486550 | LH support | 1 | Technical Specifications: See spare parts comm.n.015 of 2001[01501N] |
| 7 | GU98690440 | Screw M8X40 | 4 | |
| 7 | GU98690445 | Screw M8X45 | 2 | |
| 8 | GU95008208 | Washer 8,4X15X1,5 | 6 | |
| 9 | GU29482400 | Name plate Kg.10 | 2 | |
| 10 | GU98350318 | Hex socket screw M6X18 | 4 | |
| 11 | GU92640106 | Self-locking nut | 4 | |
| 12 | GU03484000 | Lock | 2 | |
| 13 | GU03484001 | Lock | 4 | |
| 14 | GU00979726 | Lock plate | 2 | Technical Specifications: See spare parts comm.n.008 of 2001[00801N] |

| | |
|--------------------|--------|
| Assembly | FRAME |
| Code | 33.03 |
| Description | Stands |
| Revision | 1 |



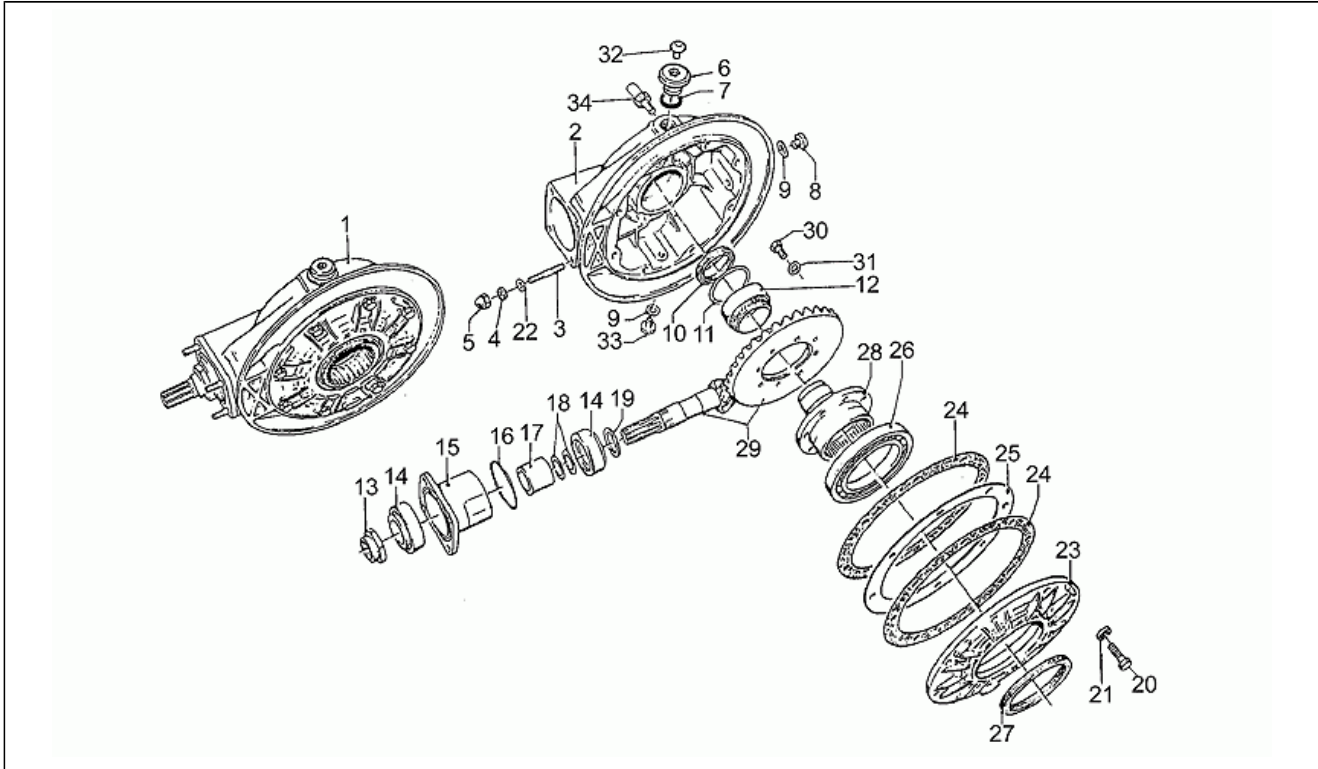
| Pos. | Code | Description | Q.ty | Variants |
|------|------------|-------------------------|------|---|
| 1 | GU30430360 | Central stand | 1 | year:1997[V], 1998[W], 1999[X], 2000[Y] |
| 2 | GU13432640 | Rubber pedal | 2 | |
| 3 | GU30432060 | Lateral stand | 1 | year:1997[V], 1998[W], 1999[X], 2000[Y] |
| 4 | GU14432900 | RH plate | 1 | |
| 5 | GU14433200 | LH plate | 1 | |
| 6 | GU18434060 | Spring | 2 | year:1997[V], 1998[W], 1999[X], 2000[Y] |
| 7 | GU98052545 | Screw | 1 | |
| 8 | GU95004210 | Washer 10,2x18x2 | 3 | |
| 9 | GU14433400 | Spring washer 19x34x1,5 | 2 | |
| 10 | GU14433500 | LH bush | 1 | |
| 11 | GU92630110 | Nut M10X1,5 | 3 | |
| 12 | GU14429600 | Screw | 1 | |
| 13 | GU95000213 | Washer | 1 | |
| 14 | GU30429960 | RH inner spacer | 1 | |
| 15 | GU30429860 | RH outer spacer | 1 | |
| 16 | GU92602312 | Nut | 2 | |
| 17 | GU18432760 | Plate | 1 | |
| 18 | GU14434000 | Spring | 2 | |
| 19 | GU98054216 | Screw | 1 | |
| 20 | GU92602205 | Nut | 1 | |
| 21 | GU13433440 | Block | 1 | |
| 22 | GU03432740 | Lock | 1 | |
| 23 | GU61013800 | Special washer | 1 | |
| 24 | GU92602206 | Nut | 1 | |
| 25 | GU29433850 | Clamp | 1 | year:1997[V], 1998[W], 1999[X], 2000[Y] |
| 26 | GU98054418 | Screw | 1 | |
| 27 | GU39103500 | Disc | 1 | |
| 28 | GU98052440 | Screw | 1 | |

| | |
|--------------------|--------|
| Assembly | FRAME |
| Code | 33.03 |
| Description | Stands |
| Revision | 1 |



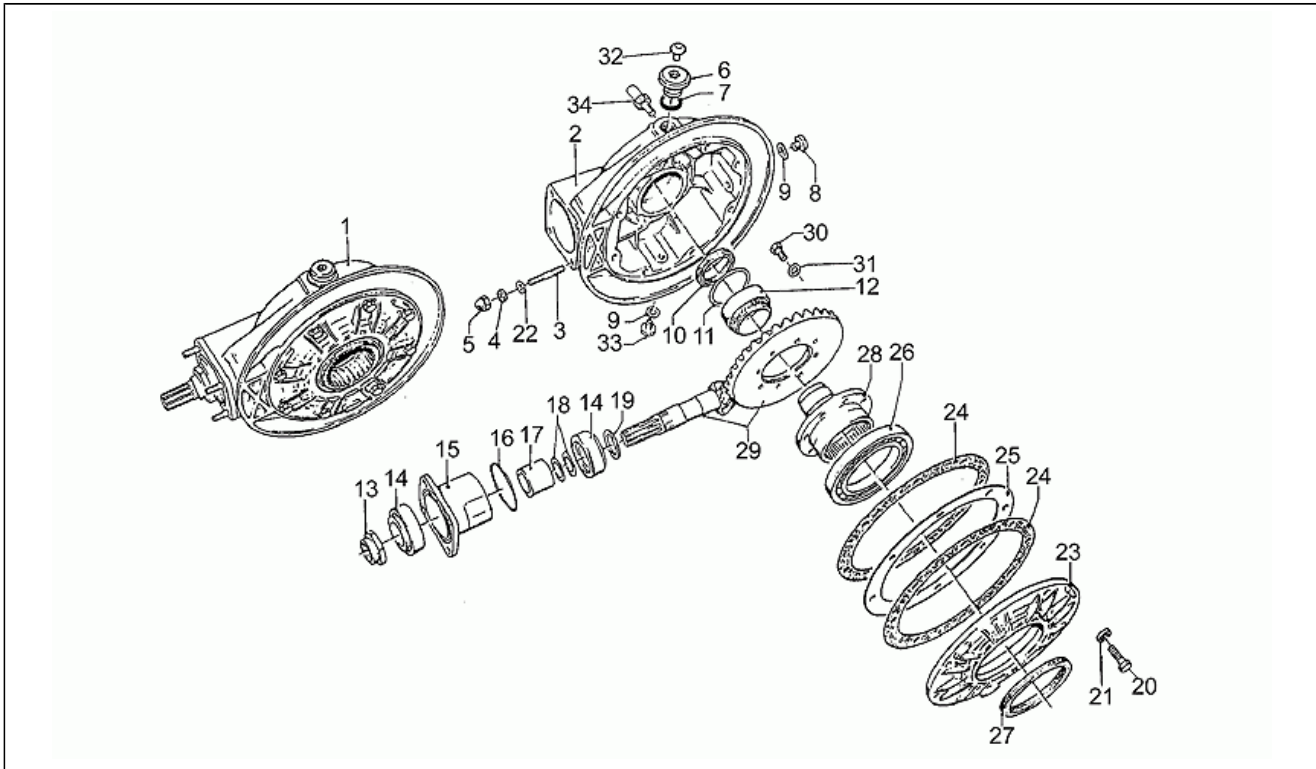
| Pos. | Code | Description | Q.ty | Variants |
|------|------------|------------------------|------|---|
| 29 | GU03759100 | Lateral stand switch | 1 | year:1997[V], 1998[W], 1999[X], 2000[Y] |
| 30 | GU61270300 | Spring washer 8x15x0,3 | 6 | |
| 31 | GU92602508 | Nut M8X1 | 1 | |
| 32 | GU39103400 | Drift | 1 | |
| 33 | GU30433560 | RH bush | 1 | |
| 34 | GU98052550 | Screw | 1 | |
| 35 | GU98054416 | Hex screw M8X16 | 2 | |
| 36 | GU30429760 | LH inner spacer | 1 | |
| 37 | GU14429900 | LH outer spacer | 1 | |
| 38 | GU98054316 | Hex screw M6X16 | 1 | |

| | |
|--------------------|-----------------------|
| Assembly | FRAME |
| Code | 33.04 |
| Description | Transmission complete |
| Revision | 1 |



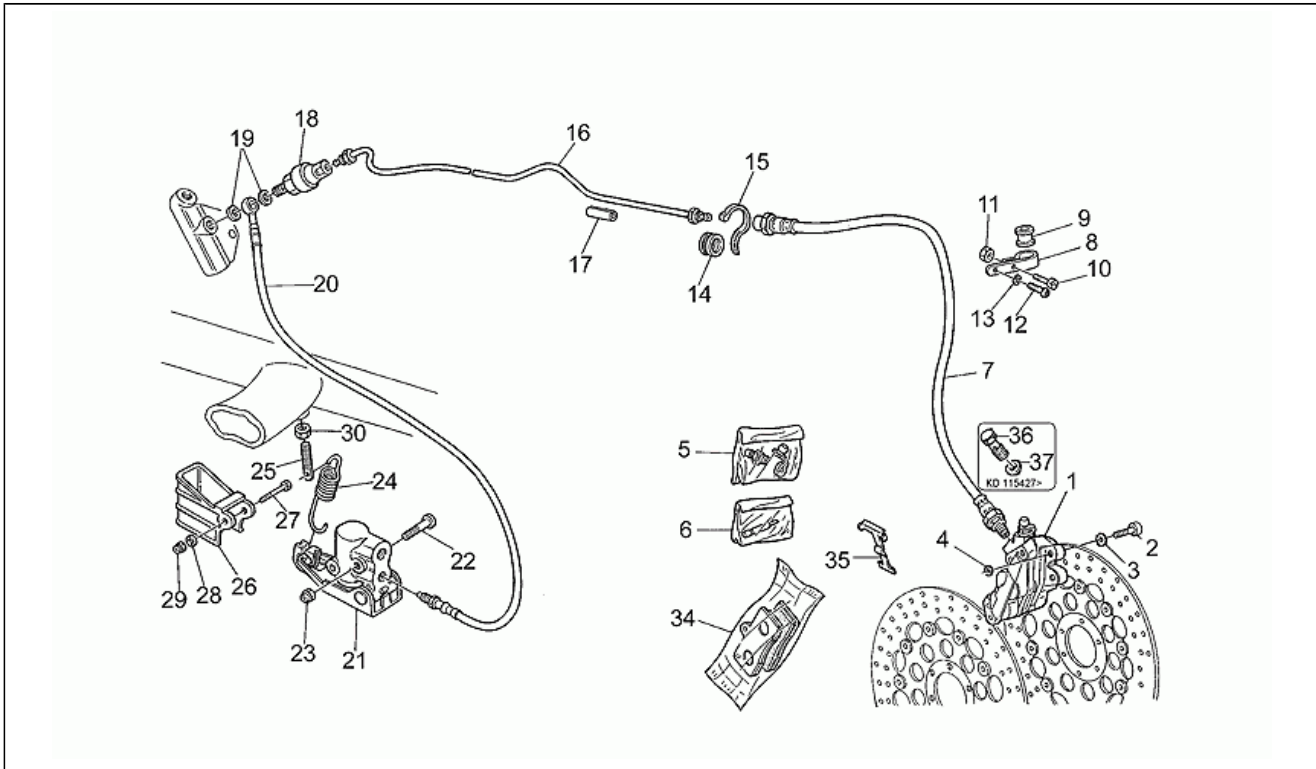
| Pos. | Code | Description | Q.ty | Variants |
|------|------------|----------------------------|------|----------|
| 1 | GU30350262 | Transmission complete 8/33 | 1 | |
| 2 | GU30350360 | Transmission housing | 1 | |
| 3 | GU96508045 | Stud bolt 8x46 | 4 | |
| 4 | GU14615901 | Washer 8,4X13X0,8 | 4 | |
| 5 | GU92781081 | Nut | 4 | |
| 6 | GU12022600 | Oil plug | 1 | |
| 7 | GU90706203 | O-ring 20,24X2,62 | 1 | |
| 8 | GU95980214 | Oil level plug | 1 | |
| 9 | GU10528900 | Gasket | 2 | |
| 10 | GU90403850 | Gasket ring | 1 | |
| 11 | GU12351100 | Gasket ring | 1 | |
| 12 | GU92254340 | Roller bearing 40x55x17 | 1 | |
| 13 | GU30356760 | Nut | 1 | |
| 14 | GU92249227 | Tap.roller bearing 25x5 | 2 | |
| 15 | GU18352400 | Flange | 1 | |
| 16 | GU90706584 | Gasket 58,42x2,62 | 1 | |
| 17 | GU18355100 | Spacer | 1 | |
| 18 | GU12355202 | Shim 0,1 mm | 1 | |
| 18 | GU12355203 | Shim 0,15 mm | 1 | |
| 19 | GU19355320 | Spacer 1 mm | 1 | |
| 19 | GU19355321 | Spacer 1,1 mm | 1 | |
| 19 | GU19355322 | Spacer 1,2 mm | 1 | |
| 19 | GU19355323 | Spacer 1,3 mm | 1 | |
| 19 | GU19355324 | Spacer 1,4 mm | 1 | |
| 19 | GU19355325 | Spacer 1,5 mm | 1 | |
| 19 | GU19355326 | Spacer 1,6 mm | 1 | |
| 19 | GU19355327 | Spacer 1,7 mm | 1 | |
| 19 | GU19355328 | Spacer 1,8 mm | 1 | |

| | |
|--------------------|-----------------------|
| Assembly | FRAME |
| Code | 33.04 |
| Description | Transmission complete |
| Revision | 1 |



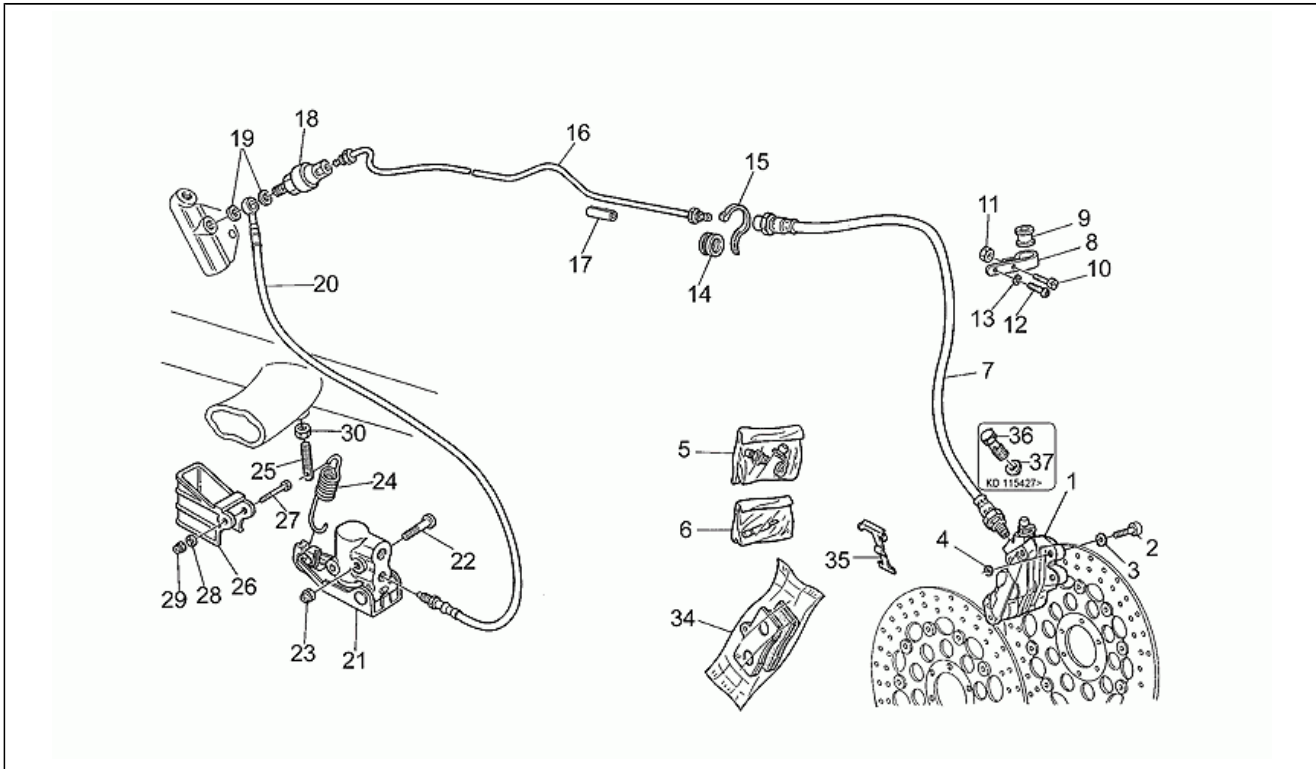
| Pos. | Code | Description | Q.ty | Variants |
|------|------------|------------------------|------|---|
| 19 | GU19355329 | Spacer 1,9 mm | 1 | |
| 20 | GU19357660 | Screw M8X25 | 8 | |
| 21 | GU14615901 | Washer 8,4X13X0,8 | 8 | |
| 22 | GU95007208 | Washer | 4 | |
| 23 | GU17350400 | Flange | 1 | |
| 24 | GU17350700 | Gasket | 2 | |
| 25 | GU17355400 | Spacer 0,8 mm | 1 | |
| 25 | GU17355402 | Spacer 0,9 mm | 1 | |
| 25 | GU17355404 | Spacer 1 mm | 1 | |
| 25 | GU17355406 | Spacer 1,1 mm | 1 | |
| 25 | GU17355408 | Spacer 1,2 mm | 1 | |
| 25 | GU17355410 | Spacer 1,3 mm | 1 | |
| 25 | GU17355412 | Spacer 1,5 mm | 1 | |
| 26 | GU92201070 | Ball bearing 70x110x13 | 1 | |
| 27 | GU90407085 | Gasket ring | 1 | |
| 28 | GU17351400 | Drive flange | 1 | |
| 29 | GU30354602 | Bevel gear 8/33 | 1 | |
| 30 | GU12356300 | Screw | 8 | |
| 31 | GU14615901 | Washer 8,4X13X0,8 | 8 | |
| 32 | GU93180245 | Plug | 1 | |
| 33 | GU31003766 | Oil unload plug M10X1 | 1 | |
| 34 | GU03555200 | Pin | 1 | year:1997[V], 1998[W], 1999[X], 2000[Y] |

| | |
|--------------------|---------------------------|
| Assembly | FRAME |
| Code | 33.05 |
| Description | Braking correction device |
| Revision | 1 |



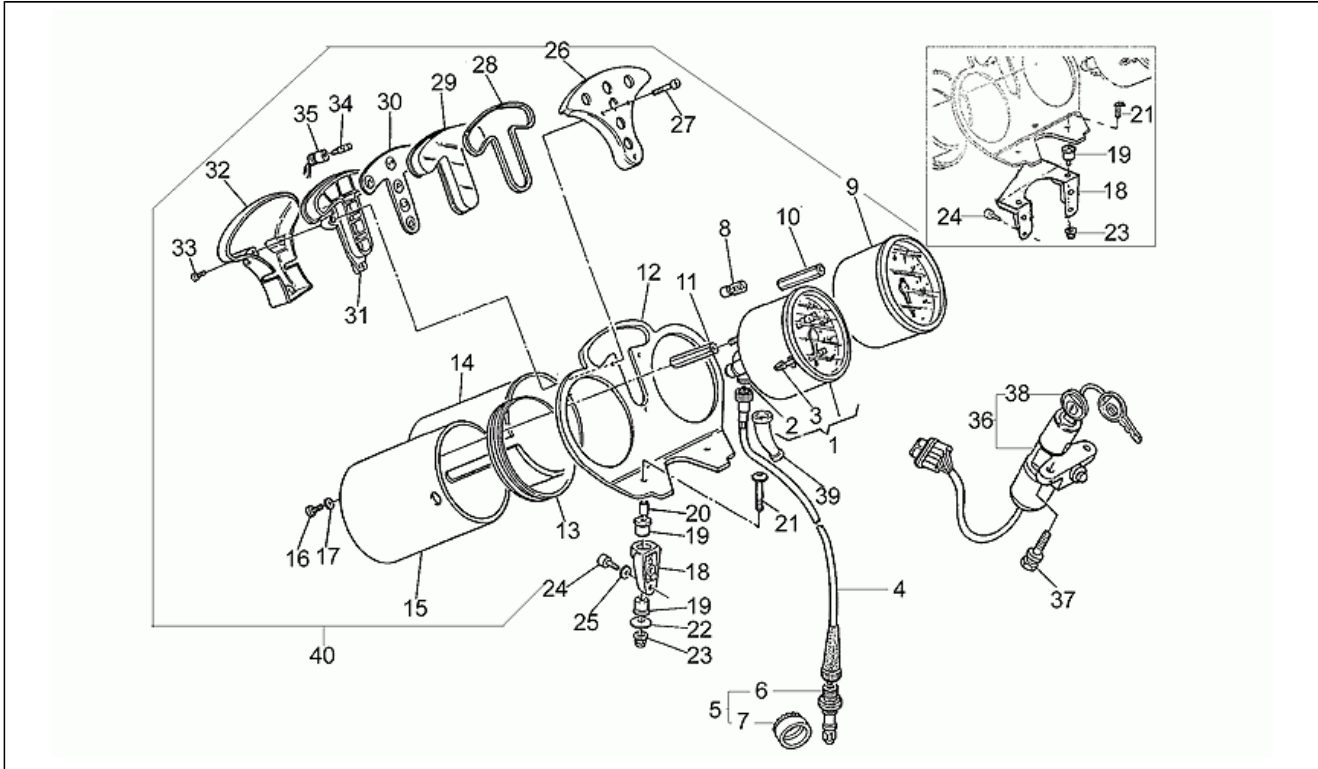
| Pos. | Code | Description | Q.ty | Variants |
|------|------------|------------------------------|------|--|
| 1 | GU01652230 | LH Front brake caliper, gold | 1 | Technical Specifications: See spare parts comm.n.022 of 2000[02200N], From frame KD115427[T2] |
| 1 | GU03652300 | LH front brake caliper, grey | 1 | Technical Specifications: Until frame KD115426[T1] |
| 1 | GU30652202 | LH Front brake caliper, gold | 1 | Technical Specifications: Until frame KD115426[T1] |
| 2 | GU98622530 | Screw | 2 | Technical Specifications: Until frame KD115426[T1] |
| 2 | GU98623530 | Screw | 2 | Technical Specifications: See spare parts comm.n.022 of 2000[02200N], From frame KD115427[T2] |
| 3 | GU19149800 | Washer 10,5x16x1 | 2 | Technical Specifications: See spare parts comm.n.022 of 2000[02200N], From frame KD115427[T2] |
| 3 | GU95129180 | Washer 10,5X18X0,8 | 2 | Technical Specifications: Until frame KD115426[T1] |
| 4 | GU95100332 | Clearance washer 0,5 mm | 1 | |
| 4 | GU95100333 | Clearance washer 0,8 mm | 1 | |
| 5 | GU01659230 | Bleeder+cap | 2 | Technical Specifications: See spare parts comm.n.022 of 2000[02200N], From frame KD115427[T2] |
| 5 | GU30659200 | Bleeder+cap | 2 | Technical Specifications: Until frame KD115426[T1] |
| 6 | GU01659130 | Pins+Caliper springs | 2 | Technical Specifications: See spare parts comm.n.022 of 2000[02200N], From frame KD115427[T2] |
| 6 | GU30659102 | Pads kit | 2 | Technical Specifications: Until frame KD115426[T1] |
| 7 | GU03658800 | Brake hose | 1 | Technical Specifications: Until frame KD115426[T1] |
| 7 | GU03658801 | Brake hose | 1 | Technical Specifications: See spare parts comm.n.022 of 2000[02200N], From frame KD115427[T2] |
| 8 | GU03658300 | Hose clamp | 1 | |
| 9 | GU17658260 | Ring | 1 | |
| 10 | GU98280410 | Screw | 1 | |
| 11 | GU92630104 | Nut M4x0,7 | 1 | |
| 12 | GU98230615 | Screw | 1 | |
| 13 | GU61013800 | Special washer | 1 | |
| 14 | GU91551120 | Ring | 1 | |
| 15 | GU14609650 | Hose clamp 3,6x20,6 | 1 | |

| | |
|--------------------|---------------------------|
| Assembly | FRAME |
| Code | 33.05 |
| Description | Braking correction device |
| Revision | 1 |



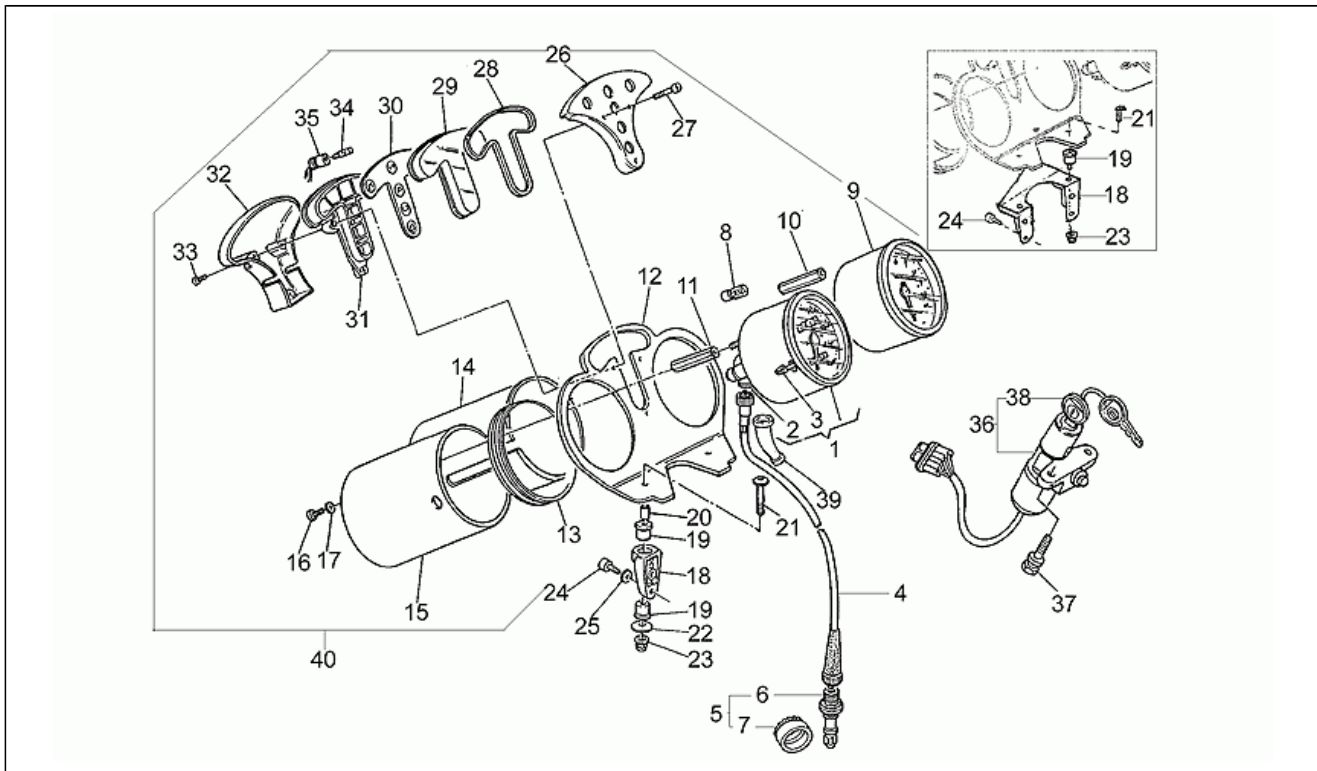
| Pos. | Code | Description | Q.ty | Variants |
|------|------------|---------------------------|------|--|
| 16 | GU30658760 | Pipe | 1 | |
| 17 | GU17659650 | Piston ring | 1 | |
| 18 | GU03668500 | Valve 4,5 bar | 1 | |
| 19 | GU25656100 | Gasket | 2 | |
| 20 | GU03656200 | Brake hose | 1 | |
| 21 | GU03668200 | Braking correction device | 1 | |
| 22 | GU98230841 | Screw M8x40 | 2 | |
| 23 | GU92630108 | Nut | 2 | |
| 24 | GU03668801 | Spring | 1 | |
| 25 | GU03667300 | Adjuster screw | 1 | |
| 26 | GU03668900 | Spring protection | 1 | |
| 27 | GU98052250 | Screw | 1 | |
| 28 | GU95004205 | Washer | 1 | |
| 29 | GU92630205 | Nut | 1 | |
| 30 | GU92602408 | Nut | 1 | |
| 34 | GU01654630 | Pads pair | 2 | Technical Specifications: See spare parts comm.n.022 of 2000[02200N], From frame KD115427[T2] |
| 34 | GU30654602 | Pads pair | 2 | Technical Specifications: Until frame KD115426[T1] |
| 35 | GU01659131 | Spring | 1 | Technical Specifications: See spare parts comm.n.022 of 2000[02200N], From frame KD115427[T2] |
| 36 | GU95990028 | Oil pipe screw * | 1 | Technical Specifications: See spare parts comm.n.022 of 2000[02200N], From frame KD115427[T2] |
| 37 | GU25656100 | Gasket | 2 | Technical Specifications: See spare parts comm.n.022 of 2000[02200N], From frame KD115427[T2] |

| | |
|--------------------|-----------|
| Assembly | FRAME |
| Code | 33.06 |
| Description | Dashboard |
| Revision | 1 |



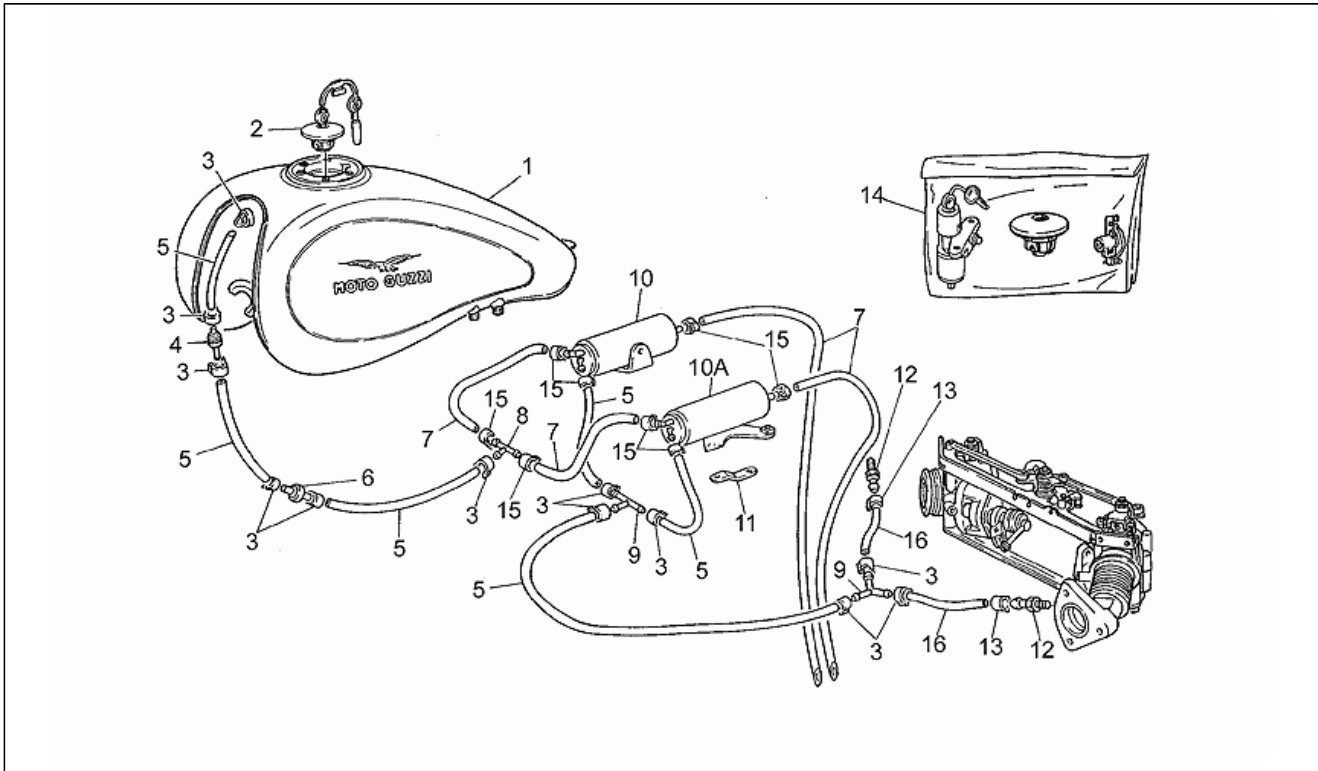
| Pos. | Code | Description | Q.ty | Variants |
|------|---------------|-------------------------------|------|--|
| 1 | GU02761500 | Speedometer KMH Borletti | 1 | |
| 1 | GU02762400 | Speedometer MPH Borletti | 1 | Country:Great Britain[UK], United States of America[USA] |
| 2 | GU23768310 | Gear 60° | 1 | |
| 3 | GU02762800 | Reset button | 1 | Technical Specifications:See spare parts comm.n.010 of 1998[01098N] |
| 4 | GU97012300000 | Odometer cable INOX | 1 | Technical Specifications:See spare parts comm.n.018 of 1999[01899N] |
| 5 | GU28762540 | Odometer gear 5/10 | 1 | |
| 6 | GU28763340 | Gear | 1 | |
| 7 | GU14766110 | Chain ring Z11 | 1 | |
| 8 | GU93450120 | Lamp 12v-3w | 2 | |
| 9 | GU02767200 | Electronic revolution counter | 1 | Technical Specifications:See spare parts comm.n.033 of 2000[03300N], From frame KD115750[T4] |
| 9 | GU03767200 | Electronic revolution counter | 1 | Technical Specifications:Until frame KD115749[T3] |
| 10 | GU02763400 | Column nut 45mm | 2 | |
| 11 | GU02763000 | Stud bolt 40mm | 2 | |
| 12 | GU02764000 | Dashboard lower support | 1 | |
| 13 | GU02762301 | Support rubber part | 2 | |
| 14 | GU02761900 | Tachometer support | 1 | |
| 15 | GU02762000 | Odometer support | 1 | |
| 16 | GU98230510 | Hex socket screw M5x10 | 4 | |
| 17 | GU95129100 | Spring washer 5,3X10X0,5 | 4 | |
| 18 | GU01766031 | Socket support | 2 | Technical Specifications:See spare parts comm.n.003 of 2001[00301N], From frame KD116067[T6] |
| 18 | GU02766000 | Socket support | 2 | Technical Specifications:Until frame KD116066[T5] |
| 19 | GU02765500 | Rubber spacer | 4 | Technical Specifications:Until frame KD116066[T5] |
| 19 | GU93222020 | Silent-block | 4 | Technical Specifications:See spare parts comm.n.003 of 2001[00301N], From frame KD116067[T6] |
| 20 | GU91180721 | Spacer | 4 | |

| | |
|--------------------|-----------|
| Assembly | FRAME |
| Code | 33.06 |
| Description | Dashboard |
| Revision | 1 |



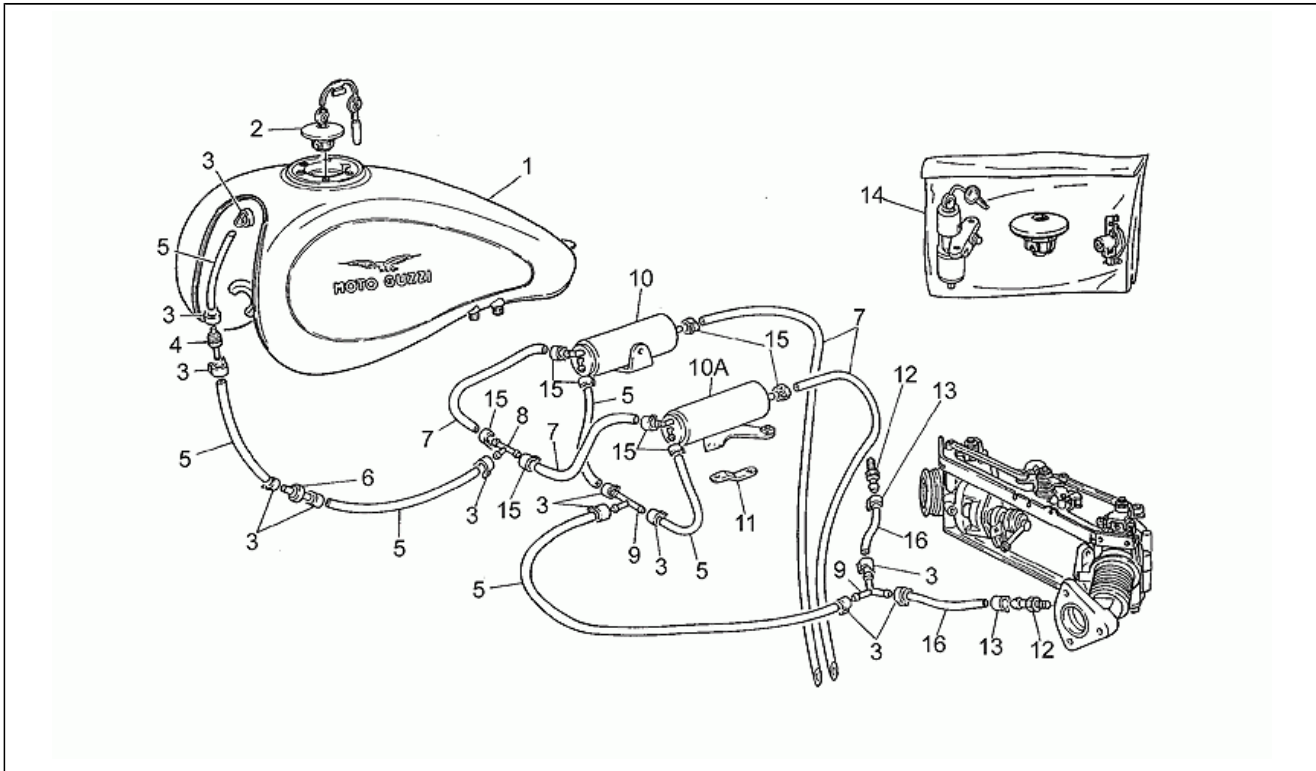
| Pos. | Code | Description | Q.ty | Variants |
|------|------------|-----------------------------|------|--|
| 21 | GU98230609 | Screw | 2 | Technical Specifications: See spare parts comm.n.003 of 2001[00301N], From frame KD116067[T6] |
| 21 | GU98230640 | Screw | 2 | Technical Specifications: Until frame KD116066[T5] |
| 22 | GU95100144 | Flat washer | 2 | |
| 23 | GU92650106 | Flanged nut | 2 | Technical Specifications: From frame KD116067[T6] |
| 23 | GU92660007 | Flanged nut M6x9 | 2 | Technical Specifications: Until frame KD116066[T5] |
| 24 | GU98622312 | Screw | 4 | Technical Specifications: See spare parts comm.n.003 of 2001[00301N], From frame KD116067[T6] |
| 24 | GU98622316 | Hex socket screw M6X16 | 4 | Technical Specifications: Until frame KD116066[T5] |
| 25 | GU95004206 | Washer 6,15x11x0,8 | 4 | |
| 26 | GU02766200 | Indicator light box | 1 | |
| 27 | GU98872115 | Screw | 3 | |
| 28 | GU02768200 | Gasket | 1 | |
| 29 | GU02768400 | Protection | 1 | |
| 30 | GU02781100 | Panel with lenses | 1 | year: 1997[V], 1998[W], 1999[X], 2000[Y] |
| 31 | GU02766300 | Indicator light box | 1 | |
| 32 | GU02766500 | Lower cover | 1 | |
| 33 | GU98872110 | Screw | 3 | |
| 34 | GU93450140 | Lamp 12V-1,2W | 6 | |
| 35 | GU02768600 | Lampholder | 6 | |
| 36 | GU01782500 | Main switch - steering lock | 1 | |
| 37 | GU98260415 | Shear rivet | 2 | |
| 38 | GU30735500 | Non indented key blank | 1 | |
| 39 | GU17762200 | Sheath | 1 | |
| 40 | GU03760001 | Dashboard | 1 | |

| | |
|--------------------|----------------------------|
| Assembly | FRAME |
| Code | 33.07 |
| Description | Fuel vapour recover system |
| Revision | 1 |



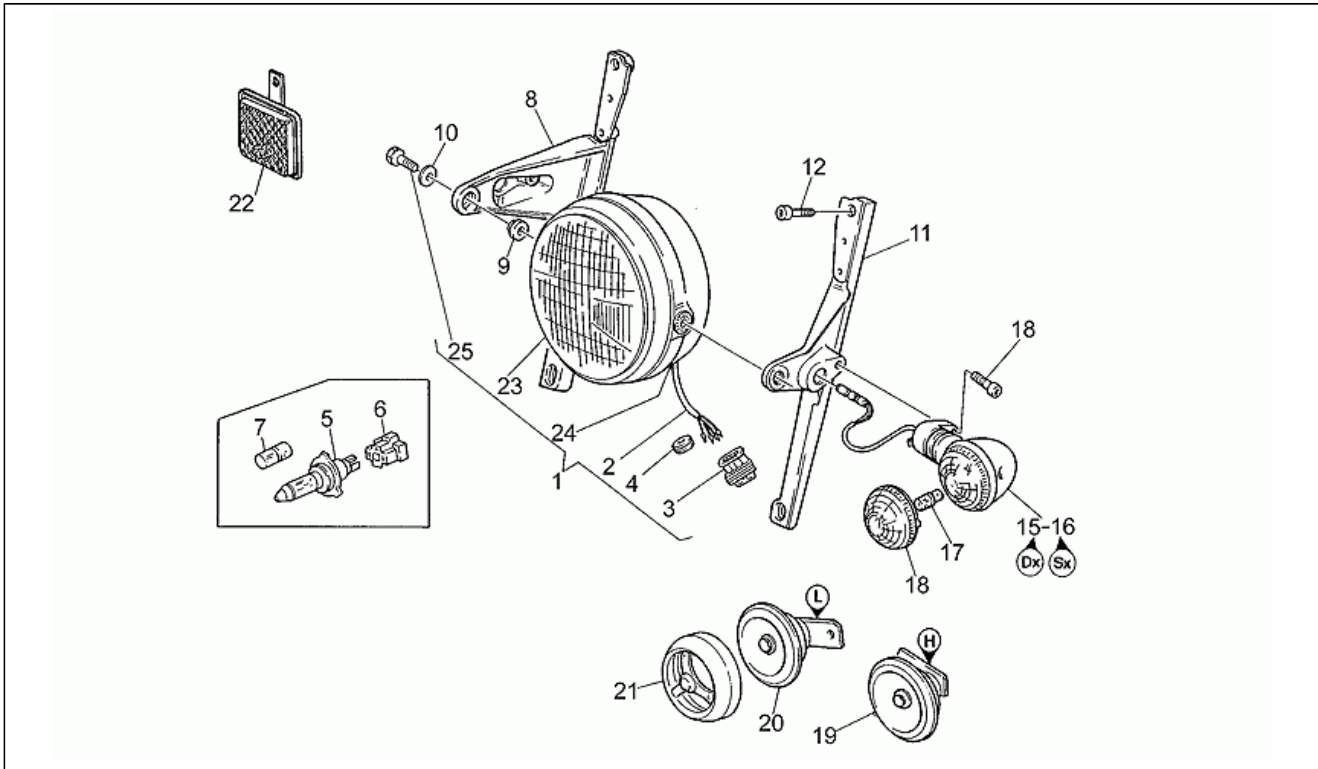
| Pos. | Code | Description | Q.ty | Variants |
|------|------------|---------------------------|------|--|
| 1 | GU03100201 | Fuel tank, orange/yellow | 1 | year: 1997[V], 1998[W], 1999[X] Color: Orange/Yellow[O/Y] Country:United States of America[USA] |
| 1 | GU03100220 | Fuel tank blank | 1 | Color: Blank[GR] Country:United States of America[USA] |
| 1 | GU03100221 | Fuel tank, orange/yellow | 1 | year: 1997[V], 1998[W], 1999[X] Color: Orange/Yellow[O/Y] Country:United States of America[USA] |
| 1 | GU03100222 | Fuel tank, sky blue/navy | 1 | year: 1997[V], 1998[W], 1999[X] Color: Turkey Blue/Cyan[TB/LB] Country:United States of America[USA] |
| 1 | GU03100223 | Fuel tank, red/cream | 1 | year: 1997[V], 1998[W], 1999[X] Color: Red/Cream[R/C] Country:United States of America[USA] |
| 1 | GU03100224 | Fuel tank grey iron/black | 1 | year: 1997[V], 1998[W], 1999[X] Color: Black/Grey[B/G] Country:United States of America[USA] |
| 1 | GU03100225 | Fuel tank blue/grey | 1 | year: 1997[V], 1998[W], 1999[X] Color: Grey-Blue/Met.Blue[GB/B] Country:United States of America[USA] |
| 1 | GU89000358 | Fuel tank grey iron/black | 1 | year: 2000[Y] Color: Black/Grey[B/G] Country: United States of America[USA] Technical Specifications:See spare parts comm.n.003 of 2000[00300N] |
| 1 | GU89000359 | Fuel tank, sky blue/navy | 1 | year: 2000[Y] Color: Turkey Blue/Cyan[TB/LB] Country: United States of America[USA] Technical Specifications:See spare parts comm.n.003 of 2000[00300N] |
| 1 | GU89000365 | Fuel tank, red/white | 1 | year: 2000[Y] Color: Red/White[R/W] Country: United States of America[USA] |

| | |
|--------------------|----------------------------|
| Assembly | FRAME |
| Code | 33.07 |
| Description | Fuel vapour recover system |
| Revision | 1 |



| Pos. | Code | Description | Q.ty | Variants |
|------|---------------|----------------------------|------|--|
| | | | | Technical Specifications: See spare parts comm.n.003 of 2000[00300N] |
| 2 | GU03103920 | Tank cap | 1 | Country: United States of America[USA] |
| 3 | GU29108550 | Hose clip 11,5x6 | 20 | Country: United States of America[USA] |
| 4 | GU29104985 | Oil breather valve | 1 | Country: United States of America[USA] |
| 5 | GU00823956060 | Pipe SAEJ30R76X121/4" | 1 | Country: United States of America[USA] |
| 6 | GU14102570 | Valve | 1 | Country: United States of America[USA] |
| 7 | GU00823956080 | Rubber pipe 12,5X7,8 5/16" | 1 | Country: United States of America[USA] |
| 8 | GU30106620 | 3-way union | 1 | Country: United States of America[USA] |
| 9 | GU29106660 | 3-way union | 2 | Country: United States of America[USA] |
| 10 | GU01116020 | RH carbon filter | 2 | year: 1997[V], 1998[W], 1999[X], 2000[Y] Country: United States of America[USA] |
| 10 | GU03116020 | LH carbon filter | 1 | year: 1997[V], 1998[W], 1999[X], 2000[Y] Country: United States of America[USA] |
| 11 | GU29127185 | Carbon filter support | 1 | Country: United States of America[USA] |
| 12 | GU30115220 | Union | 2 | Country: United States of America[USA] Technical Specifications: See spare parts comm.n.010 of 1998[01098N] |
| 13 | GU93305008 | Hose clamp | 2 | Country: United States of America[USA] |
| 14 | GU03736820 | Lock hardware kit | 1 | Country: United States of America[USA] |
| 15 | GU28157950 | Hose clip 12,5x8 | 8 | Country: United States of America[USA] |
| 16 | GU00823956060 | Pipe SAEJ30R76X121/4" | 1 | Country: United States of America[USA] |

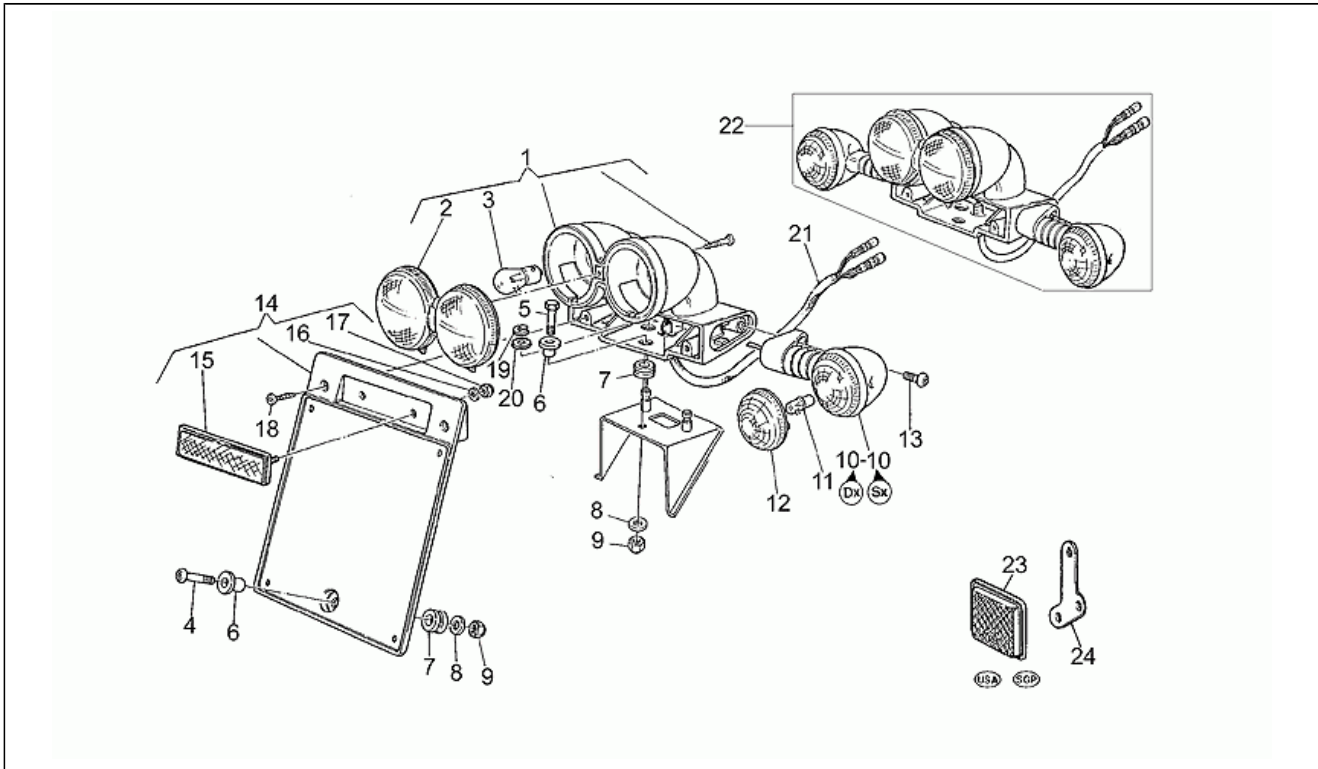
| | |
|--------------------|----------------|
| Assembly | FRAME |
| Code | 33.08 |
| Description | Headlight-Horn |
| Revision | 1 |



| Pos. | Code | Description | Q.ty | Variants |
|------|------------|--------------------------------|------|--|
| 1 | GU02740501 | Headlight | 1 | |
| 1 | GU02740505 | Cpl headlightsteering headligh | 1 | Country: Australia[AUS], Japan[J], Malaysia[MAL], New Zeland[NZ], Great Britain[UK] |
| 2 | GU02746900 | Wiring | 1 | |
| 3 | GU01756100 | 4-way connector AMP | 1 | |
| 4 | GU91551105 | Rubber spacer | 1 | Technical Specifications: See spare parts comm.n.003 of 2000[00300N] |
| 5 | GU93450232 | Lamp 12V-55/60W | 1 | |
| 6 | GU01756220 | Lampholder | 1 | |
| 7 | GU93450119 | Lamp 12V-4W | 1 | |
| 8 | GU03496100 | RH support | 1 | |
| 9 | GU14439800 | Spacer | 2 | |
| 10 | GU95004208 | Washer | 2 | |
| 11 | GU03496200 | LH support | 1 | |
| 12 | GU98622316 | Hex socket screw M6X16 | 2 | |
| 14 | GU03750600 | Rear RH turn indicator | 1 | |
| 15 | GU03750601 | Rear LH turn indicator | 1 | |
| 16 | GU93450127 | Lamp 12V-10W | 2 | |
| 17 | GU31753765 | Turn indicator lens | 2 | |
| 18 | GU98612314 | Screw | 2 | |
| 19 | GU31743765 | Horn H | 1 | |
| 20 | GU31743766 | Horn L | 1 | |
| 21 | GU31744765 | Horn mask | 1 | |
| 22 | GU14781670 | Reflector, amber | 2 | Country: Australia[AUS], Singapore[SGP], United States of America[USA] |
| 23 | GU02740400 | Optical group | 1 | |
| 24 | GU02740458 | Rear cap | 1 | |
| 25 | GU02740459 | Screws-series | 1 | |

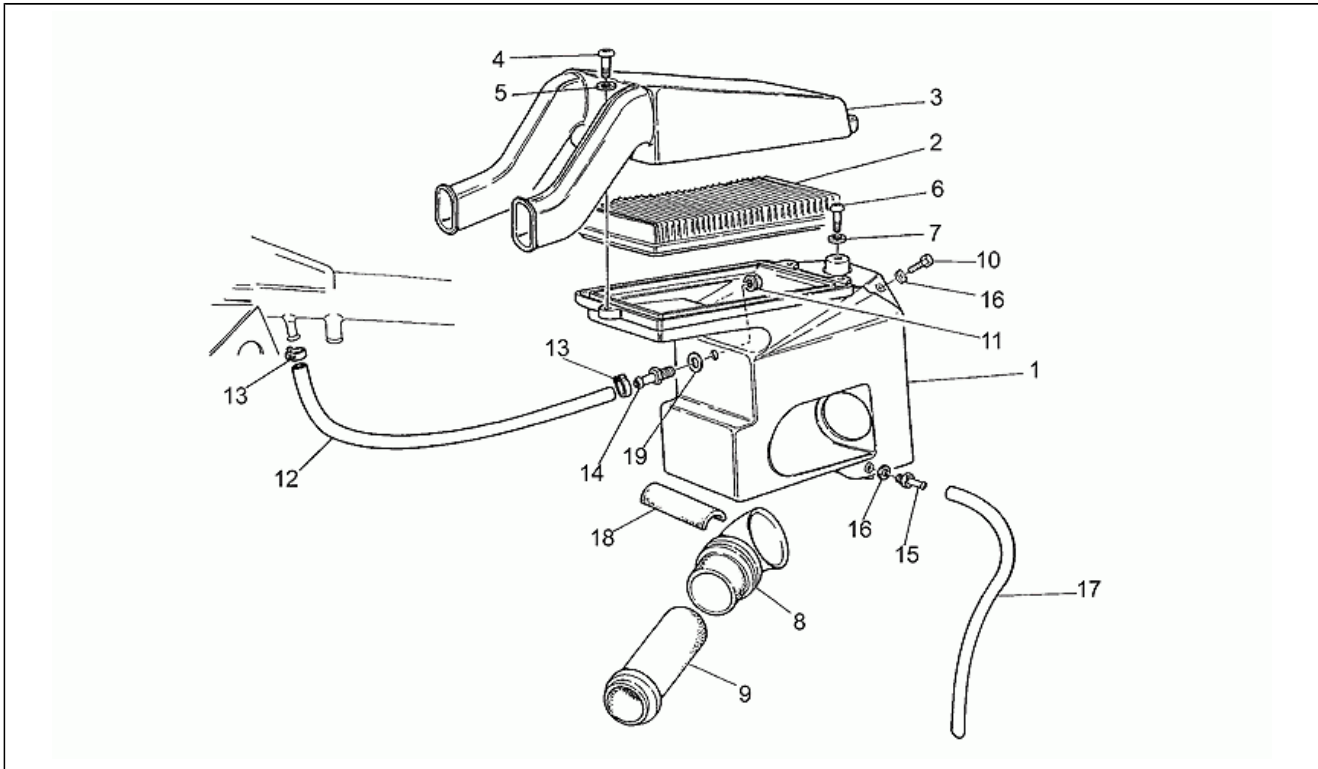


| | |
|--------------------|-----------|
| Assembly | FRAME |
| Code | 33.09 |
| Description | Taillight |
| Revision | 1 |



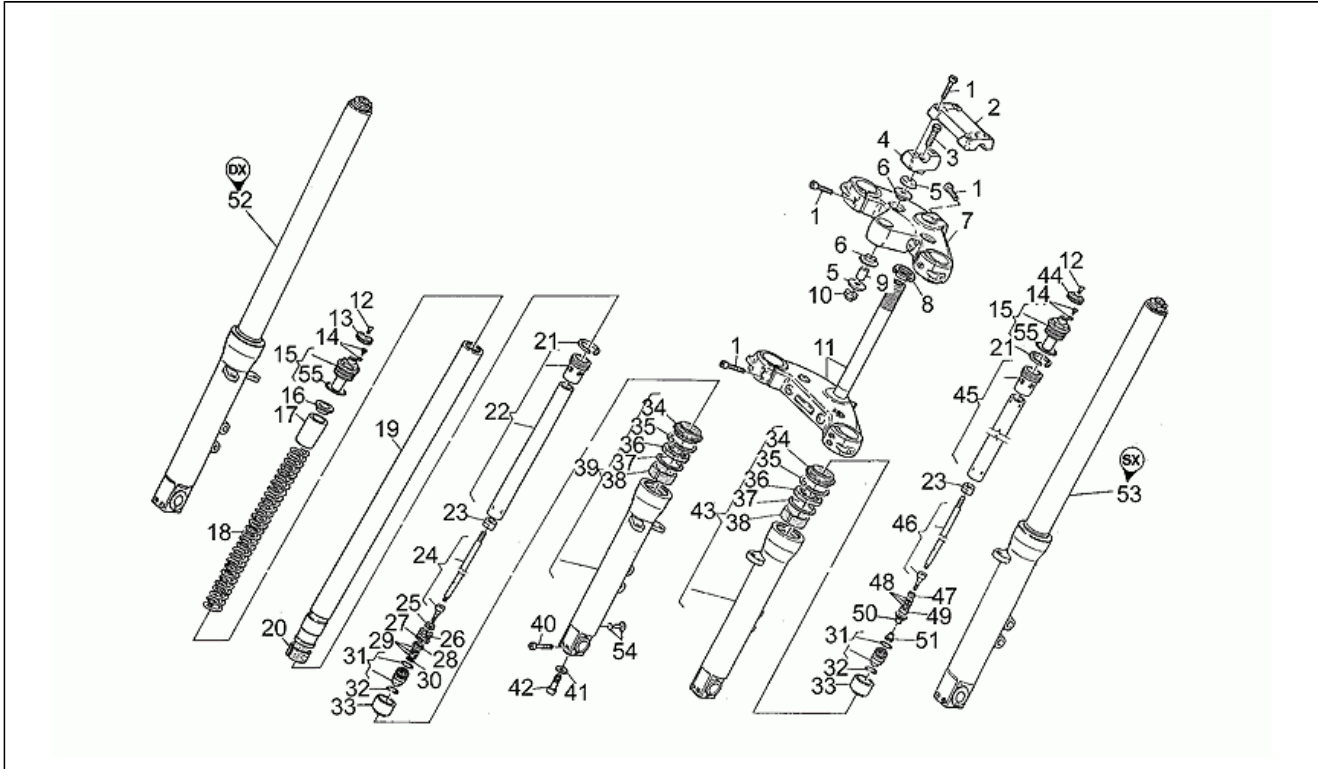
| Pos. | Code | Description | Q.ty | Variants |
|------|------------|-------------------------|------|---|
| 1 | GU30740960 | Taillight | 1 | year:1997[V], 1998[W], 1999[X], 2000[Y] |
| 2 | GU30741760 | Taillight lens | 1 | |
| 3 | GU93450224 | Lamp 12V/5-21W | 2 | |
| 4 | GU98230621 | Screw M6X20 | 1 | |
| 5 | GU98054322 | Hex screw M6X22 | 1 | |
| 6 | GU30576100 | Spacer D.6,5 | 2 | |
| 7 | GU91551010 | Rubber spacer | 4 | |
| 8 | GU95100120 | Washer | 2 | |
| 9 | GU92630206 | Nut M6x1 | 2 | |
| 10 | GU30751660 | Rear RH turn indicator | 1 | year:1997[V], 1998[W], 1999[X], 2000[Y] |
| 10 | GU30751661 | Rear LH turn indicator | 1 | year:1997[V], 1998[W], 1999[X], 2000[Y] |
| 11 | GU93450127 | Lamp 12V-10W | 2 | |
| 12 | GU31753765 | Turn indicator lens | 2 | |
| 13 | GU98230612 | Screw | 2 | |
| 14 | GU30474660 | Number plate holder | 1 | |
| 15 | GU31745865 | Reflector | 1 | |
| 16 | GU95000204 | Washer | 2 | |
| 17 | GU92630104 | Nut M4x0,7 | 2 | |
| 18 | GU99210422 | Self-tap screw | 2 | |
| 19 | GU90280009 | Snap ring | 2 | |
| 20 | GU95100332 | Clearance washer 0,5 mm | 4 | |
| 21 | GU03753100 | Taillight wiring harn. | 1 | |
| 22 | GU30758460 | Taillight | 1 | year:1997[V], 1998[W], 1999[X], 2000[Y] |
| 23 | GU14781570 | Rear reflector, red | 2 | Country:Singapore[SGP], United States of America[USA] |
| 24 | GU14781870 | Reflector support | 2 | Country:Singapore[SGP], United States of America[USA] |

| | |
|--------------------|------------|
| Assembly | FRAME |
| Code | 33.10 |
| Description | Air filter |
| Revision | 1 |



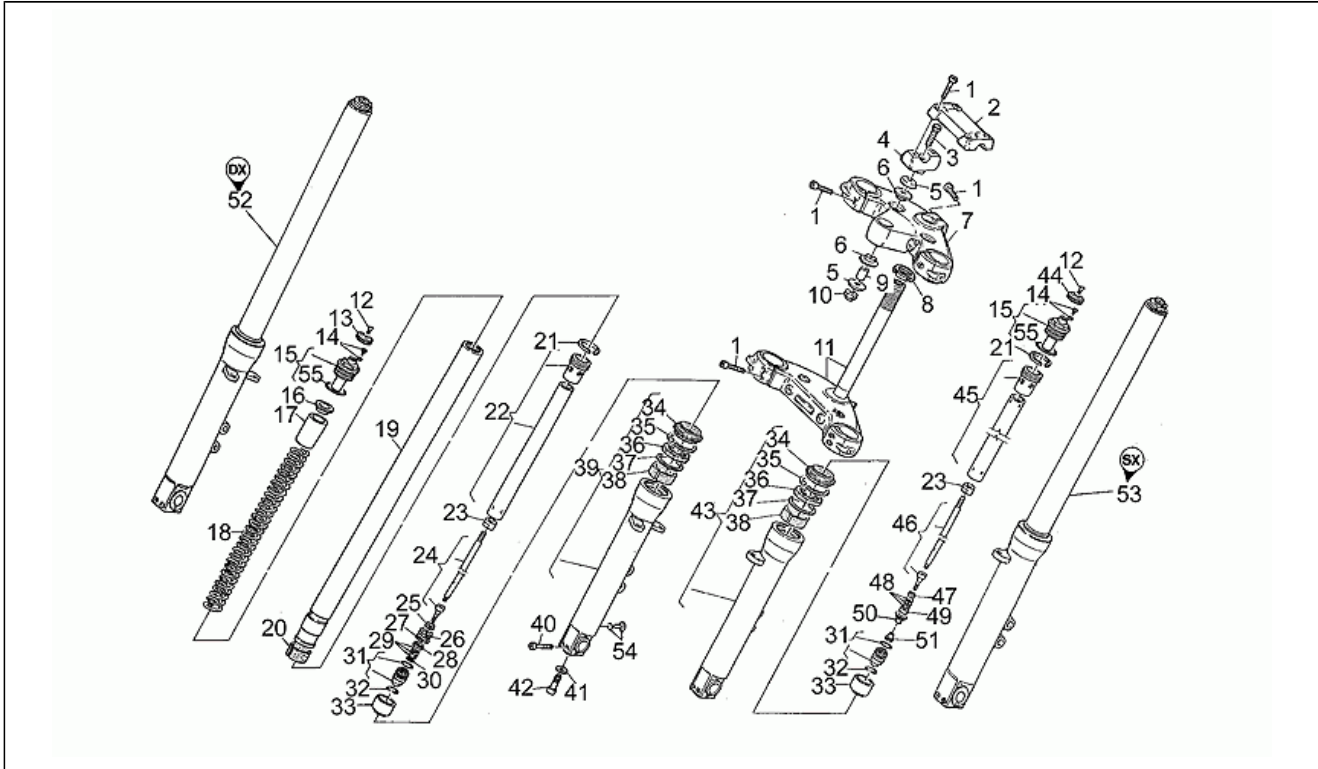
| Pos. | Code | Description | Q.ty | Variants |
|------|---------------|----------------------------|------|----------|
| 1 | GU30114060 | Air box | 1 | |
| 2 | GU30113600 | Air filter | 1 | |
| 3 | GU30113460 | Filter cover | 1 | |
| 4 | GU98620225 | Screw M5x25 | 2 | |
| 4 | GU98620230 | Screw M5X30 | 1 | |
| 5 | GU95000205 | Washer | 3 | |
| 6 | GU98230612 | Screw | 1 | |
| 7 | GU61013800 | Special washer | 1 | |
| 8 | GU30114660 | Union | 2 | |
| 9 | GU30114560 | Hand cone-type | 2 | |
| 10 | GU98054210 | Screw | 1 | |
| 11 | GU92660208 | Nut | 1 | |
| 12 | GU00823956080 | Rubber pipe 12,5X7,8 5/16" | 1 | |
| 13 | GU93305017 | Hose clamp | 2 | |
| 14 | GU29116960 | Union | 1 | |
| 15 | GU29115860 | Union | 1 | |
| 16 | GU90714053 | Gasket | 1 | |
| 17 | GU00823944050 | Pipe 5X9 | 1 | |
| 18 | GU95985223 | Rubber half-pipe | 1 | |
| 19 | GU90714082 | Gasket | 2 | |

| | |
|--------------------|------------|
| Assembly | FRAME |
| Code | 33.11 |
| Description | Front fork |
| Revision | 1 |



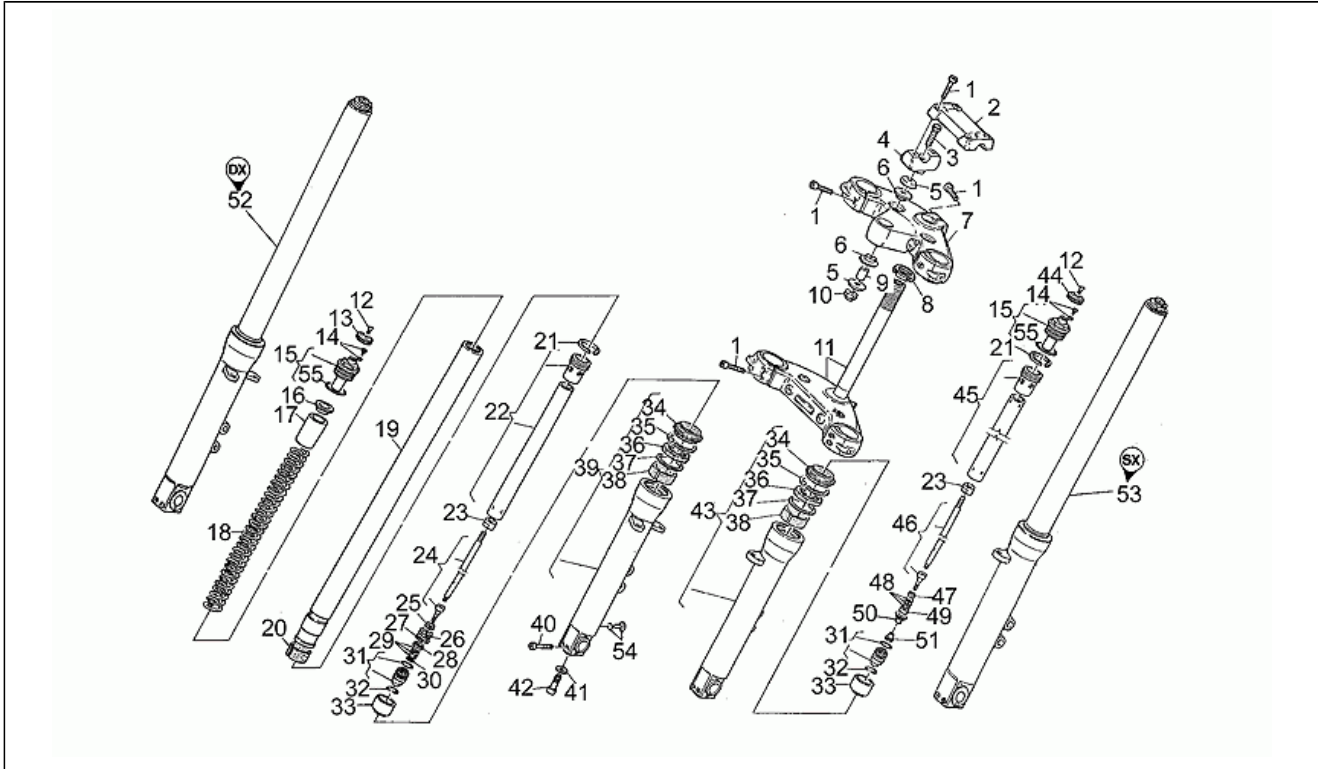
| Pos. | Code | Description | Q.ty | Variants |
|------|------------|----------------------------|------|----------|
| 1 | GU98622430 | Screw M8X30 | 11 | |
| 2 | GU03500200 | Upper U-bolt | 1 | |
| 3 | GU98052560 | Screw M10x60 | 2 | |
| 4 | GU03530500 | Lower U-bolt | 2 | |
| 5 | GU27530505 | Cup | 4 | |
| 6 | GU27530503 | Rubber spacer | 4 | |
| 7 | GU03493100 | Fork upper plate | 1 | |
| 8 | GU03498100 | Ring nut | 1 | |
| 9 | GU03530503 | Spacer | 2 | |
| 10 | GU92630110 | Nut M10X1,5 | 2 | |
| 11 | GU03494000 | Stem base | 1 | |
| 12 | GU03530504 | Screw | 2 | |
| 13 | GU03530505 | RH adjustment knob rebound | 1 | |
| 14 | GU03530506 | Screw with OR | 2 | |
| 15 | GU03530507 | Plug cpl. | 2 | |
| 16 | GU03530508 | Cup | 2 | |
| 17 | GU03530509 | Preload tube | 2 | |
| 18 | GU03526600 | Spring | 2 | |
| 19 | GU03525400 | Sleeve | 2 | |
| 20 | GU03530510 | Lower bush | 2 | |
| 21 | GU03530511 | Ring | 2 | |
| 22 | GU03530512 | RH hub | 1 | |
| 23 | GU03530513 | Return nut | 2 | |
| 24 | GU03530514 | RH shock absorber | 1 | |
| 25 | GU03530515 | Return spring | 1 | |
| 26 | GU03530516 | RH piston rebound | 1 | |
| 27 | GU03530517 | RH piston segmentrebound | 1 | |
| 28 | GU03530518 | RH needle rebound | 1 | |

| | |
|--------------------|------------|
| Assembly | FRAME |
| Code | 33.11 |
| Description | Front fork |
| Revision | 1 |



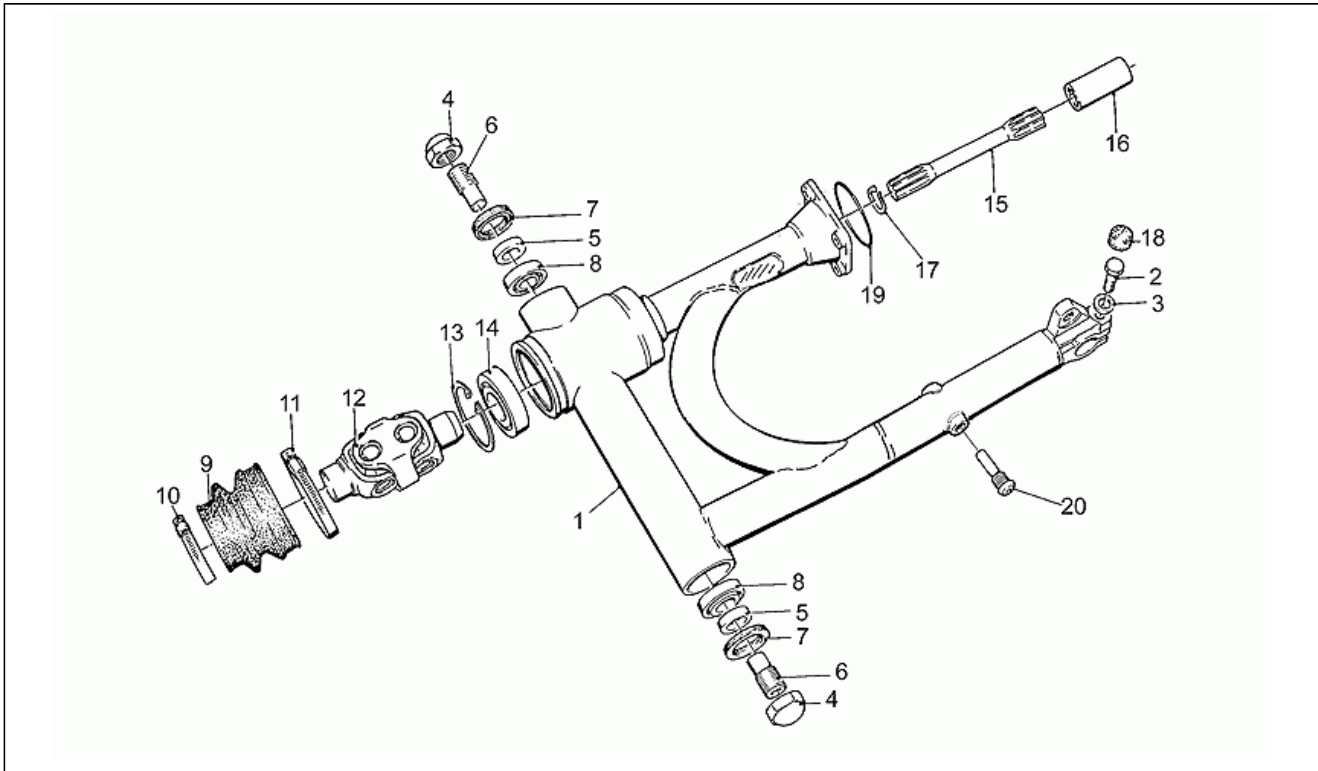
| Pos. | Code | Description | Q.ty | Variants |
|------|---------------|--------------------------|------|--|
| 29 | GU03530519 | Calibration blade | 5 | |
| 30 | GU03530520 | Nut | 1 | |
| 31 | GU03530521 | Stroke limit stop | 2 | |
| 32 | GU03530522 | O-ring | 2 | |
| 33 | GU03530523 | Adaptor | 2 | |
| 34 | GU03530524 | Dust cover | 2 | |
| 35 | GU03530525 | Stop ring | 2 | |
| 36 | GU03530526 | Gasket ring | 2 | |
| 37 | GU03530527 | Cup | 2 | |
| 38 | GU03530528 | Upper bush | 2 | |
| 39 | GU03522500001 | RH sleeve cpl. | 1 | Technical Specifications: Until frame KD115426[T1] |
| 39 | GU03522501001 | RH sleeve | 1 | Technical Specifications: See spare parts comm.n.022 of 2000[02200N], From frame KD115427[T2] |
| 40 | GU98620340 | Screw | 4 | |
| 41 | GU03530529 | Washer | 2 | |
| 42 | GU03530530 | Screw M10x30 | 2 | |
| 43 | GU03522600001 | LH sleeve cpl. | 1 | Technical Specifications: Until frame KD115426[T1] |
| 43 | GU03522601001 | LH sleeve | 1 | Technical Specifications: See spare parts comm.n.022 of 2000[02200N], From frame KD115427[T2] |
| 44 | GU03530531 | LH adjustment knob comp. | 1 | |
| 45 | GU03530532 | LH hub | 1 | |
| 46 | GU03530533 | LH shock absorber | 1 | |
| 47 | GU03530534 | Cup | 1 | |
| 48 | GU03530535 | Calibration blade 12 mm | 1 | |
| 48 | GU03530536 | Calibration blade 15 mm | 1 | |
| 48 | GU03530537 | Calibration blade 17 mm | 1 | |
| 49 | GU03530538 | LH needle compression | 1 | |
| 50 | GU03530539 | LH piston compression | 1 | |

| | |
|--------------------|------------|
| Assembly | FRAME |
| Code | 33.11 |
| Description | Front fork |
| Revision | 1 |



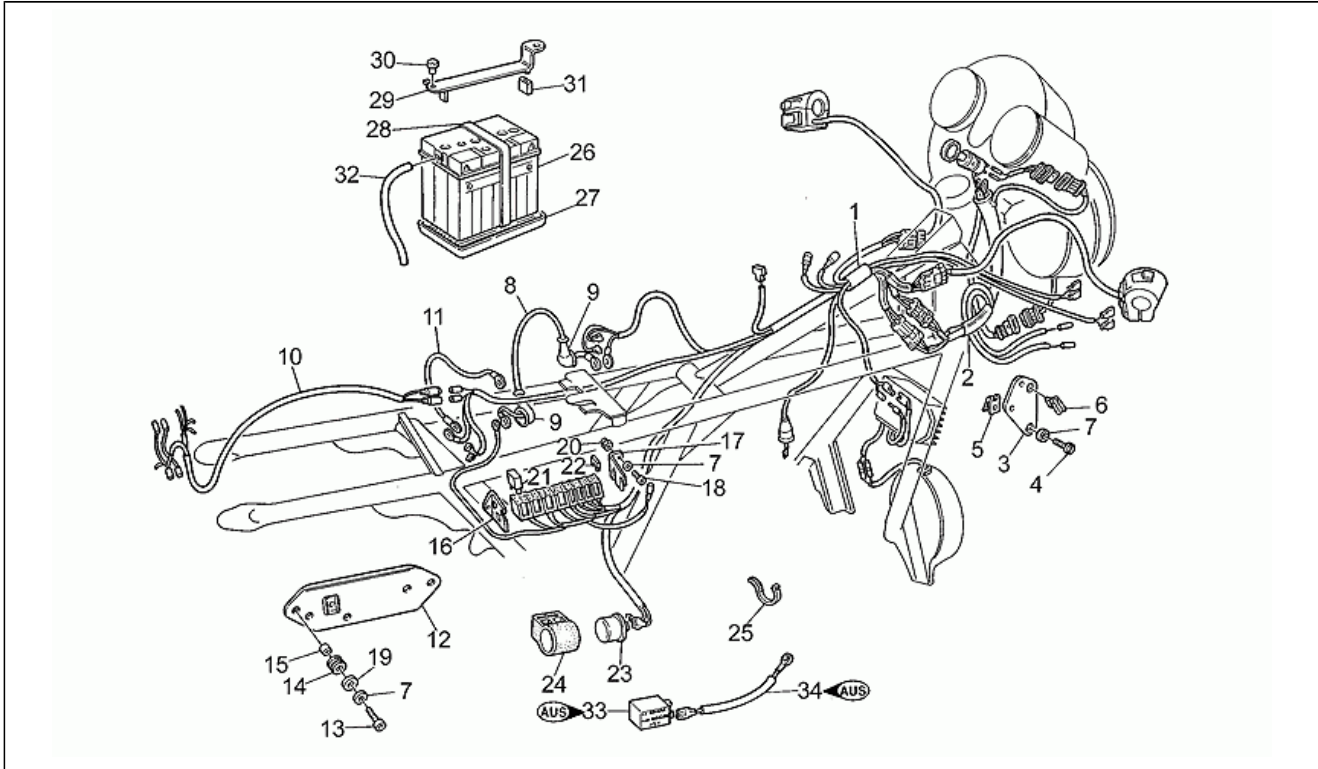
| Pos. | Code | Description | Q.ty | Variants |
|------|------------|---------------|------|--|
| 51 | GU03530540 | Nut | 1 | |
| 52 | GU03490600 | RH hub cpl. | 1 | Technical Specifications: Until frame KD115426[T1] |
| 52 | GU03490601 | RH hub cpl. | 1 | Technical Specifications: See spare parts comm.n.022 of 2000[02200N], From frame KD115427[T2] |
| 53 | GU03490700 | LH hub cpl. | 1 | Technical Specifications: Until frame KD115426[T1] |
| 53 | GU03490701 | LH hub cpl. | 1 | Technical Specifications: See spare parts comm.n.022 of 2000[02200N], From frame KD115427[T2] |
| 54 | GU30530521 | Screw with OR | 2 | |
| 55 | GU30530561 | O-ring | 2 | |

| | |
|--------------------|-----------|
| Assembly | FRAME |
| Code | 33.12 |
| Description | Swing arm |
| Revision | 1 |



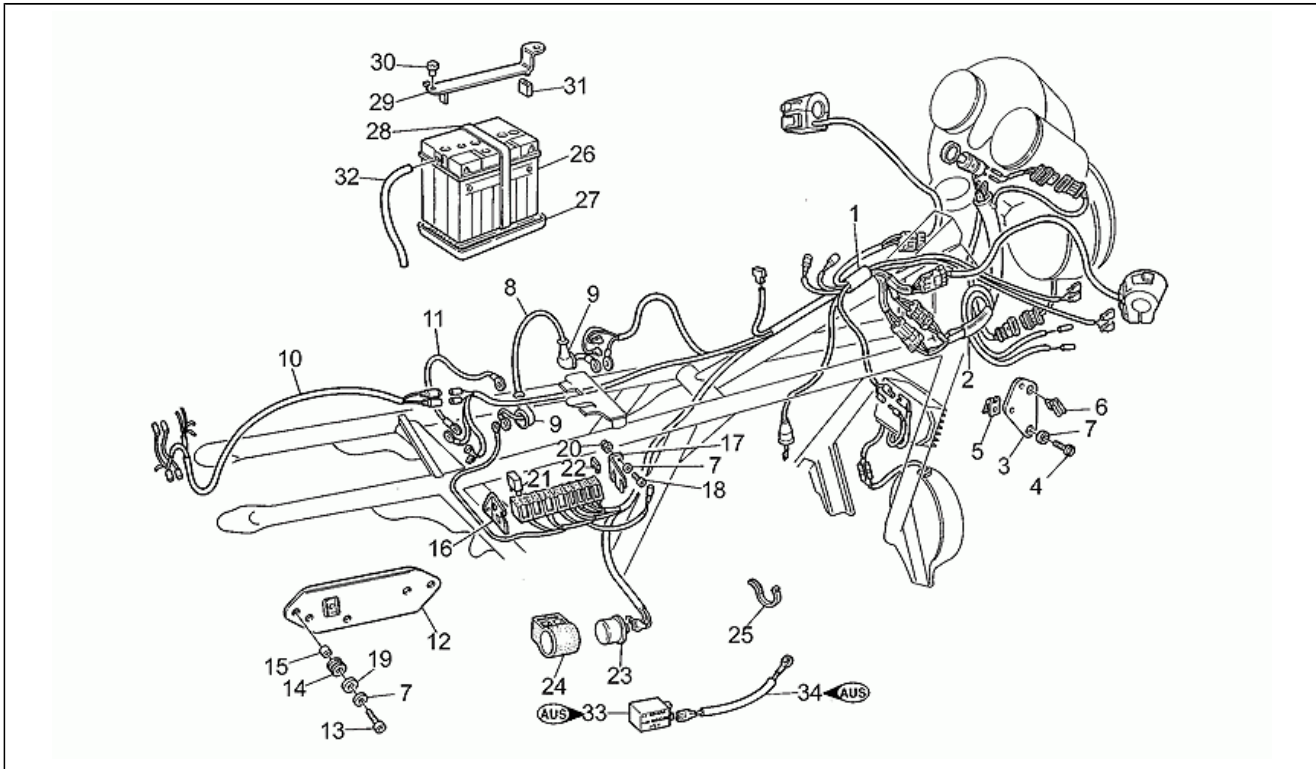
| Pos. | Code | Description | Q.ty | Variants |
|------|------------|-----------------------|------|---|
| 1 | GU03540201 | Swing arm | 1 | year:1997[V], 1998[W], 1999[X], 2000[Y] |
| 2 | GU98052535 | Screw | 1 | |
| 3 | GU95004210 | Washer 10,2x18x2 | 1 | |
| 4 | GU30547860 | Cap nut | 2 | |
| 5 | GU12547200 | Spacer | 2 | |
| 6 | GU30547060 | Pin | 2 | |
| 7 | GU90403040 | Gasket ring | 2 | |
| 8 | GU92249217 | Bearing | 2 | |
| 9 | GU18548000 | Protection collar | 1 | |
| 10 | GU12548401 | Clamp | 1 | |
| 11 | GU12548201 | Hose clamp 62/82 mm | 1 | |
| 12 | GU30328031 | Coupling | 1 | |
| 13 | GU90272062 | Circlip | 1 | |
| 14 | GU92204230 | Ball bearing 30x62x16 | 1 | |
| 15 | GU29326300 | Drive shaft | 1 | |
| 16 | GU12327700 | Hose | 1 | |
| 17 | GU90271020 | Snap ring | 3 | |
| 18 | GU14498550 | Plug | 1 | |
| 19 | GU90706584 | Gasket 58,42x2,62 | 1 | |
| 20 | GU30638660 | Pin | 1 | |

| | |
|--------------------|-------------------|
| Assembly | FRAME |
| Code | 33.13 |
| Description | Electrical system |
| Revision | 1 |



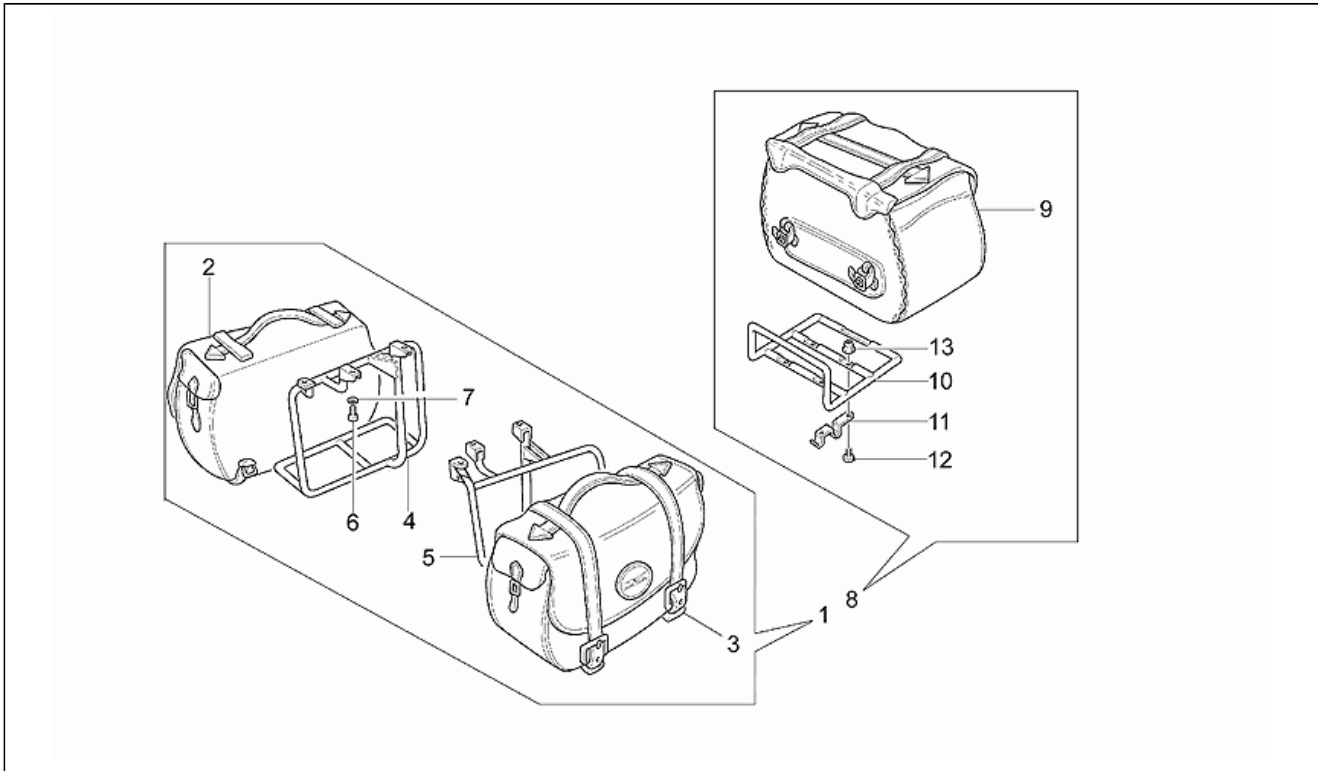
| Pos. | Code | Description | Q.ty | Variants |
|------|------------|---------------------------|------|--|
| 1 | GU03747100 | Electrical system | 1 | Technical Specifications: Until frame KD115749[T3] |
| 1 | GU03747130 | Electrical system | 1 | Technical Specifications: See spare parts comm.n.033 of 2000[03300N], From frame KD115750[T4] |
| 2 | GU03747200 | Dashboard cable Borletti | 1 | |
| 3 | GU30749760 | Plate | 1 | |
| 4 | GU98622312 | Screw | 2 | |
| 5 | GU28576590 | Clip | 2 | |
| 6 | GU30922260 | Clip | 4 | |
| 7 | GU61013800 | Special washer | 8 | |
| 8 | GU03748400 | Wire | 1 | |
| 9 | GU19707100 | Cap | 2 | |
| 10 | GU30753160 | Taillight wiring harness. | 1 | |
| 11 | GU02747901 | Ground-battery lead | 1 | Technical Specifications: See spare parts comm.n.033 of 2000[03300N], From frame KD115750[T4] |
| 11 | GU19748400 | Ground-battery lead | 1 | Technical Specifications: Until frame KD115749[T3] |
| 12 | GU30746360 | Plate | 1 | |
| 13 | GU98622316 | Hex socket screw M6X16 | 2 | |
| 14 | GU91551080 | Rubber spacer | 2 | |
| 15 | GU91180607 | Spacer | 2 | |
| 16 | GU30477101 | RH clamp | 1 | |
| 17 | GU30477200 | LH plate | 1 | |
| 18 | GU98622310 | Screw | 2 | |
| 19 | GU95100118 | Washer 6,2X18X1 | 4 | |
| 20 | GU92630206 | Nut M6x1 | 2 | |
| 21 | GU30732560 | Relay Siemens A302/B1008 | 4 | |
| 22 | GU28742560 | Fuse 15A | 4 | |
| 23 | GU17750520 | Flasher unit | 1 | |
| 24 | GU17751200 | Block | 1 | |

| | |
|--------------------|-------------------|
| Assembly | FRAME |
| Code | 33.13 |
| Description | Electrical system |
| Revision | 1 |



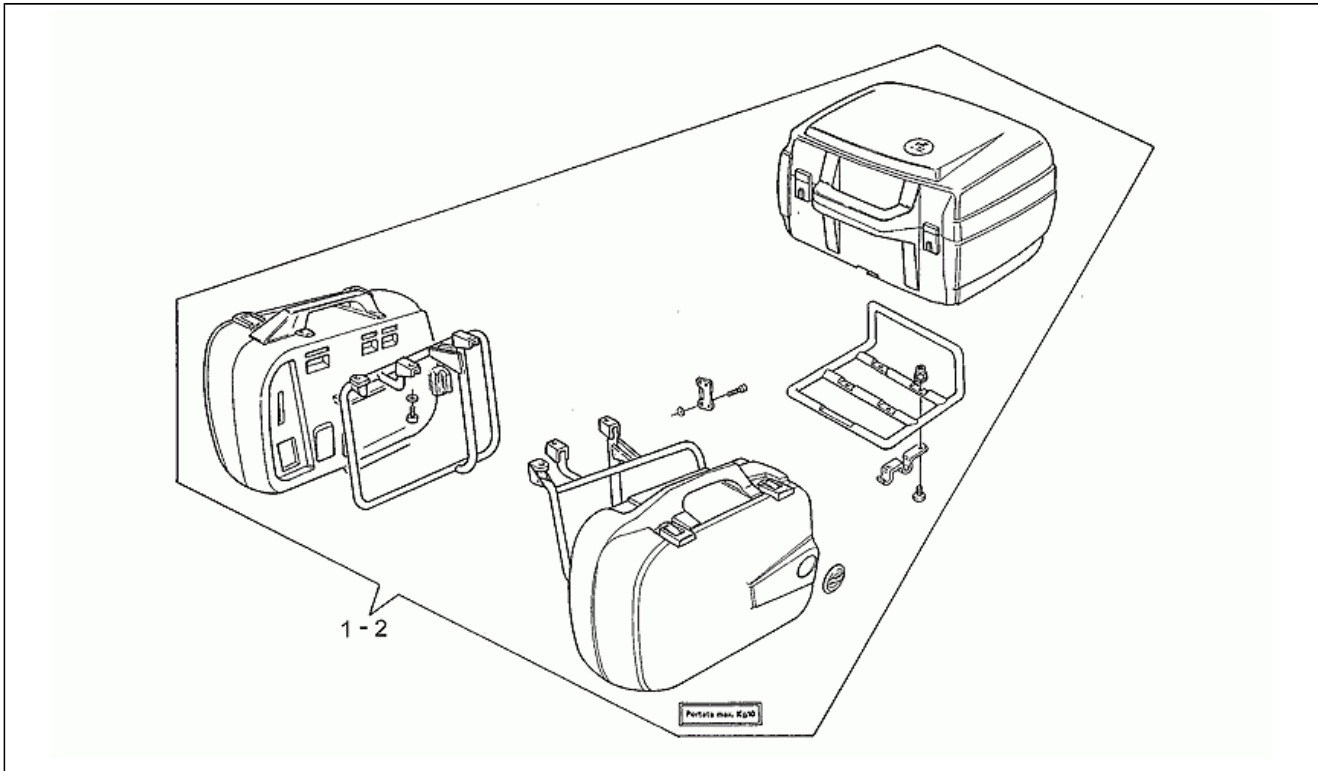
| Pos. | Code | Description | Q.ty | Variants |
|------|------------|------------------------|------|--|
| 25 | GU14609650 | Hose clamp 3,6x20,6 | 56 | |
| 26 | GU03704540 | Battery Exide 12V-30Ah | 1 | Technical Specifications: See spare parts comm.n.003 of 2000[00300N] |
| 27 | GU28707050 | Battery holder | 1 | |
| 28 | GU28704900 | Battery fixing snap | 1 | |
| 29 | GU03705000 | Battery fixing plate | 1 | Technical Specifications: See spare parts comm.n.003 of 2000[00300N], For battery Exide[E] |
| 29 | GU03705540 | Battery fixing snap | 1 | Technical Specifications: See spare parts comm.n.033 of 2000[03300N], From frame KD115750[T4] |
| 29 | GU30705061 | Battery fixing plate | 1 | Technical Specifications: For battery Varta[V] |
| 30 | GU12433000 | Drift | 1 | |
| 31 | GU14461400 | Rubber spacer | 3 | |
| 32 | GU95985351 | Breather pipe | 1 | |
| 33 | GU31750560 | Flasher unit | 1 | Country: Australia[AUS] |
| 34 | GU31755660 | Ground-battery lead | 1 | Country: Australia[AUS] |

| | |
|--------------------|--------------------|
| Assembly | FRAME |
| Code | 33.14 |
| Description | Leather side cases |
| Revision | 1 |



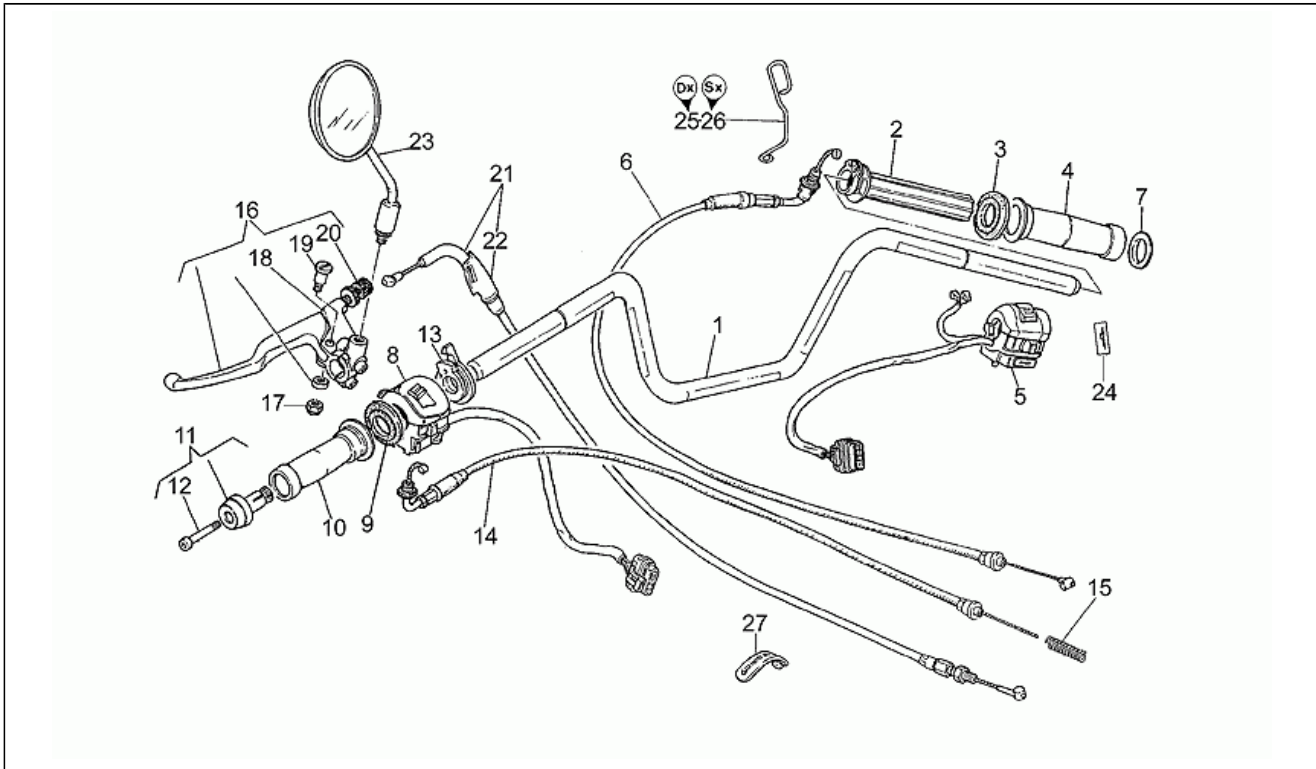
| Pos. | Code | Description | Q.ty | Variants |
|------|------------|-------------------|------|---|
| 1 | GU03480058 | Suitcase kit | 1 | Technical Specifications: See spare parts comm.n.016 of 2001[01601N] |
| 2 | GU03482536 | RH suitcase | 1 | |
| 3 | GU03485736 | LH suitcase | 1 | |
| 4 | GU03485055 | RH support | 1 | Technical Specifications: See spare parts comm.n.016 of 2001[01601N] |
| 5 | GU03486555 | LH support | 1 | Technical Specifications: See spare parts comm.n.016 of 2001[01601N] |
| 6 | GU98690440 | Screw M8X40 | 4 | Technical Specifications: See spare parts comm.n.016 of 2001[01601N] |
| 6 | GU98690445 | Screw M8X45 | 2 | Technical Specifications: See spare parts comm.n.016 of 2001[01601N] |
| 7 | GU95008208 | Washer 8,4X15X1,5 | 6 | Technical Specifications: See spare parts comm.n.016 of 2001[01601N] |
| 8 | GU03487530 | Top box kit | 1 | |
| 9 | GU03487636 | Top box | 1 | |
| 10 | GU31487765 | Support plate | 1 | |
| 11 | GU03487802 | Clamp | 2 | |
| 12 | GU98230621 | Screw M6X20 | 4 | |
| 13 | GU92660007 | Flanged nut M6x9 | 4 | |

| | |
|--------------------|----------------------|
| Assembly | FRAME |
| Code | 33.15 |
| Description | Side cases - Top box |
| Revision | 1 |



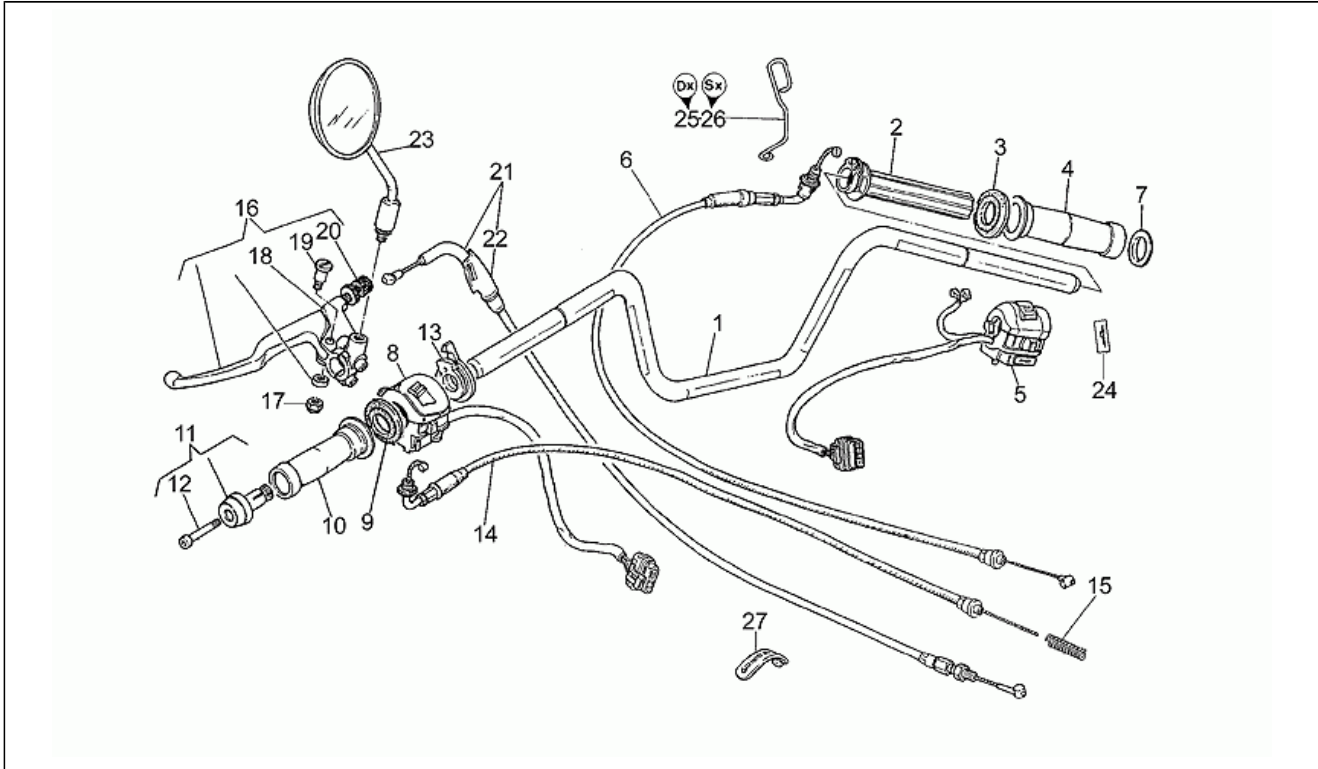
| Pos. | Code | Description | Q.ty | Variants |
|------|------------|-------------------|------|----------|
| 1 | GU03480051 | Suitcase kit 30 L | 1 | |
| 2 | GU03480050 | Suitcase kit 40 L | 1 | |

| | |
|--------------------|----------------------|
| Assembly | FRAME |
| Code | 33.16 |
| Description | Handlebar - Controls |
| Revision | 1 |



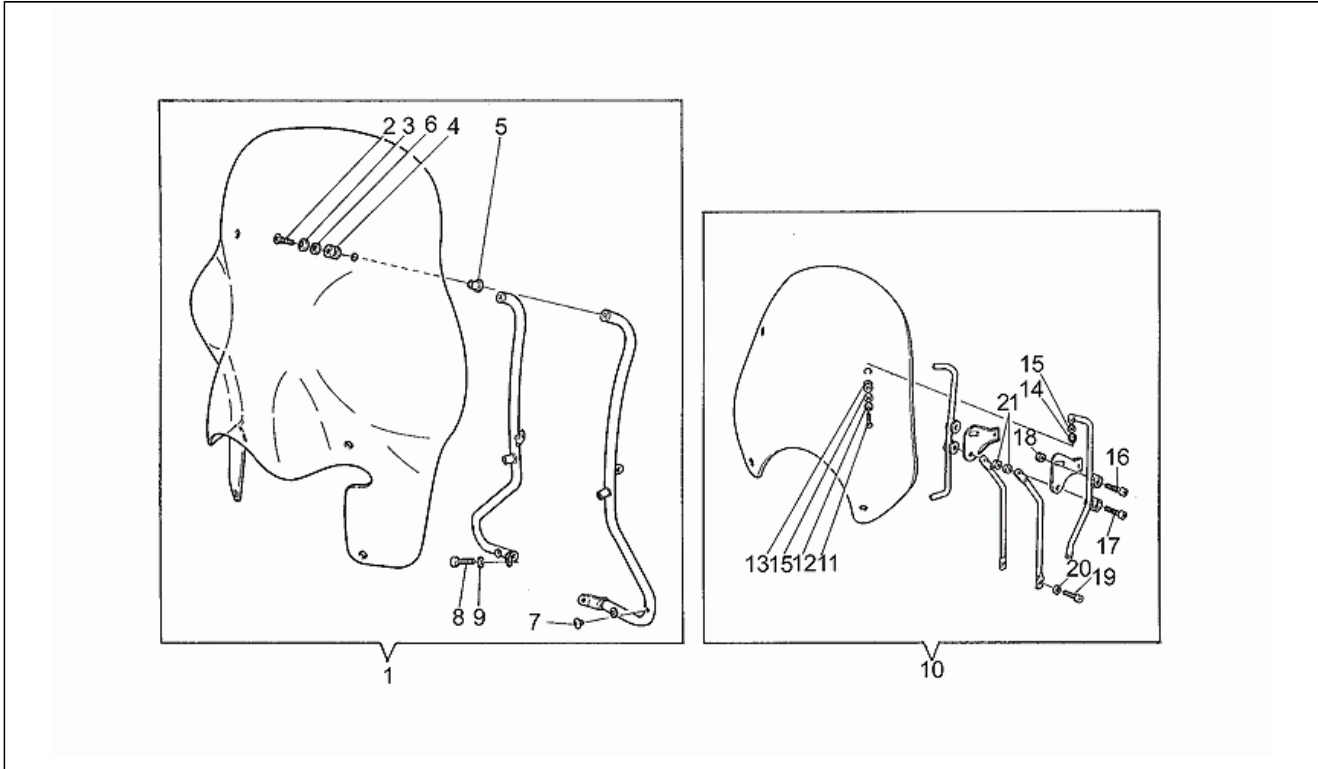
| Pos. | Code | Description | Q.ty | Variants |
|------|---------------|-------------------------------|------|---|
| 1 | GU03600300 | Handlebar | 1 | year:1997[V], 1998[W], 1999[X], 2000[Y] |
| 2 | GU30603800 | Throttle pipe w/out hand grip | 1 | year:1997[V], 1998[W], 1999[X], 2000[Y] |
| 2 | GU30603804 | Throttle | 1 | year: 1997[V], 1998[W], 1999[X], 2000[Y] Country:Switzerland[CH] |
| 3 | GU27603620 | Ring | 1 | |
| 4 | GU27603520 | RH hand grip | 1 | year:1997[V], 1998[W], 1999[X], 2000[Y] |
| 5 | GU03738800 | RH lights selector | 1 | year: 2001[1] Technical Specifications:See spare parts comm.n.007 of 2001[00701N], From frame KD018769[T8] |
| 5 | GU03738820 | RH lights selector | 1 | year: 2001[1] Country: Japan[J], New Zeland[NZ], Singapore[SGP], United States of America[USA] Technical Specifications:See spare parts comm.n.007 of 2001[00701N], From frame KD018769[T8] |
| 5 | GU30738860 | RH lights selector | 1 | year: 1997[V], 1998[W], 1999[X], 2000[Y] Technical Specifications:Until frame KD018768[T7] |
| 5 | GU30738873 | RH lights selector | 1 | year: 1997[V], 1998[W], 1999[X], 2000[Y] Country: Japan[J], New Zeland[NZ], Singapore[SGP], United States of America[USA] Technical Specifications:Until frame KD018768[T7] |
| 6 | GU03117500 | Throttle cable | 1 | year:1997[V], 1998[W], 1999[X], 2000[Y] |
| 6 | GU03117800 | Throttle cable | 1 | year: 2001[1] Technical Specifications:See spare parts comm.n.007 of 2001[00701N], From frame KD018769[T8] |
| 6 | GU97011801000 | Throttle cable INOX | 1 | Technical Specifications:See spare parts comm.n.018 of 1999[01899N] |
| 7 | GU29606970 | Nylon washer | 1 | |
| 8 | GU30738060 | LH lights selector | 1 | year:1997[V], 1998[W], 1999[X], 2000[Y] |
| 9 | GU27603120 | Ring | 1 | |
| 10 | GU27603020 | LH hand grip | 1 | year:1997[V], 1998[W], 1999[X], 2000[Y] |
| 11 | GU30602761 | H.bars anti.v weight | 2 | year:1997[V], 1998[W], 1999[X], 2000[Y] |
| 12 | GU98662435 | Screw | 1 | |

| | |
|--------------------|----------------------|
| Assembly | FRAME |
| Code | 33.16 |
| Description | Handlebar - Controls |
| Revision | 1 |



| Pos. | Code | Description | Q.ty | Variants |
|------|---------------|---------------------------|------|--|
| 13 | GU30135200 | Choke control | 1 | |
| 14 | GU03132800 | Choke cable | 1 | year:1997[V], 1998[W], 1999[X], 2000[Y] |
| 14 | GU97011802000 | Choke cable INOX | 1 | Technical Specifications: See spare parts comm.n.018 of 1999[01899N] |
| 15 | GU94321070 | Spring | 1 | |
| 16 | GU30605560 | Clutch lever cpl. | 1 | year:1997[V], 1998[W], 1999[X], 2000[Y] |
| 17 | GU92602206 | Nut | 1 | |
| 18 | GU30601800 | Bear clutch lever supp. | 1 | |
| 19 | GU30530528 | Lever pin | 1 | |
| 20 | GU30602500 | Register | 1 | |
| 21 | GU03093000 | Clutch cable | 1 | year:1997[V], 1998[W], 1999[X], 2000[Y] |
| 21 | GU97011803000 | Clutch cable INOX | 1 | Technical Specifications: See spare parts comm.n.018 of 1999[01899N] |
| 22 | GU30093860 | Bellows | 1 | |
| 23 | GU03769400 | Rearview mirror | 2 | Technical Specifications: See spare parts comm.n.034 of 1999[03499N], Second series[2A] |
| 23 | GU31769465 | Rearview mirror | 2 | Technical Specifications: First series[1A] |
| 24 | GU28769550 | Decal "Aquila" | 1 | Country: Japan[J], New Zeland[NZ], Singapore[SGP], United States of America[USA] |
| 25 | GU03669000 | RH eyelet for trans.guide | 1 | |
| 26 | GU03669001 | LH eyelet for trans.guide | 1 | |
| 27 | GU03609600 | Hose clamp L36 mm | 3 | |

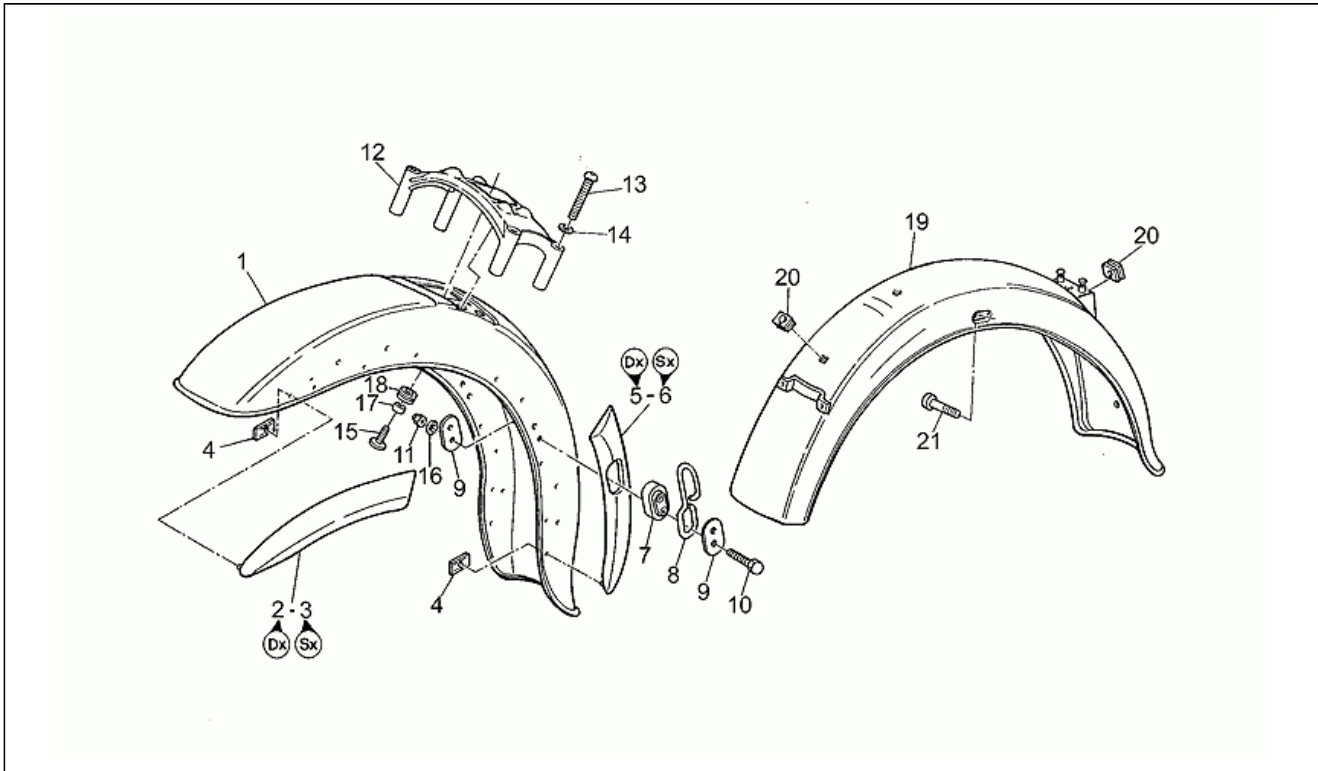
| | |
|--------------------|------------|
| Assembly | FRAME |
| Code | 33.17 |
| Description | Windscreen |
| Revision | 1 |



| Pos. | Code | Description | Q.ty | Variants |
|------|------------|------------------------|------|--------------------|
| 1 | GU03575100 | Windscreen cpl. Big | 1 | |
| 1 | GU03575101 | Windscreen cpl. Big | 1 | Country:Germany[D] |
| 2 | GU98270620 | Screw | 6 | |
| 3 | GU03530543 | Washer | 6 | |
| 4 | GU03530546 | Silent-block | 6 | |
| 5 | GU03530545 | Spacer | 6 | |
| 6 | GU03530544 | Washer | 6 | |
| 7 | GU03530542 | Plug | 2 | |
| 8 | GU98622316 | Hex socket screw M6X16 | 2 | |
| 9 | GU95000206 | Washer | 2 | |
| 10 | GU03575102 | Windscreen cpl. Small | 1 | |
| 11 | GU98270620 | Screw | 4 | |
| 12 | GU03530543 | Washer | 4 | |
| 13 | GU03530546 | Silent-block | 4 | |
| 14 | GU03530545 | Spacer | 4 | |
| 15 | GU03530544 | Washer | 8 | |
| 16 | GU98622420 | Screw | 2 | |
| 17 | GU98622425 | Hex socket screw M8X25 | 2 | |
| 18 | GU92602408 | Nut | 1 | |
| 19 | GU98622316 | Hex socket screw M6X16 | 4 | |
| 20 | GU95000206 | Washer | 4 | |
| 21 | GU92602208 | Nut M8X1,25 | 3 | |

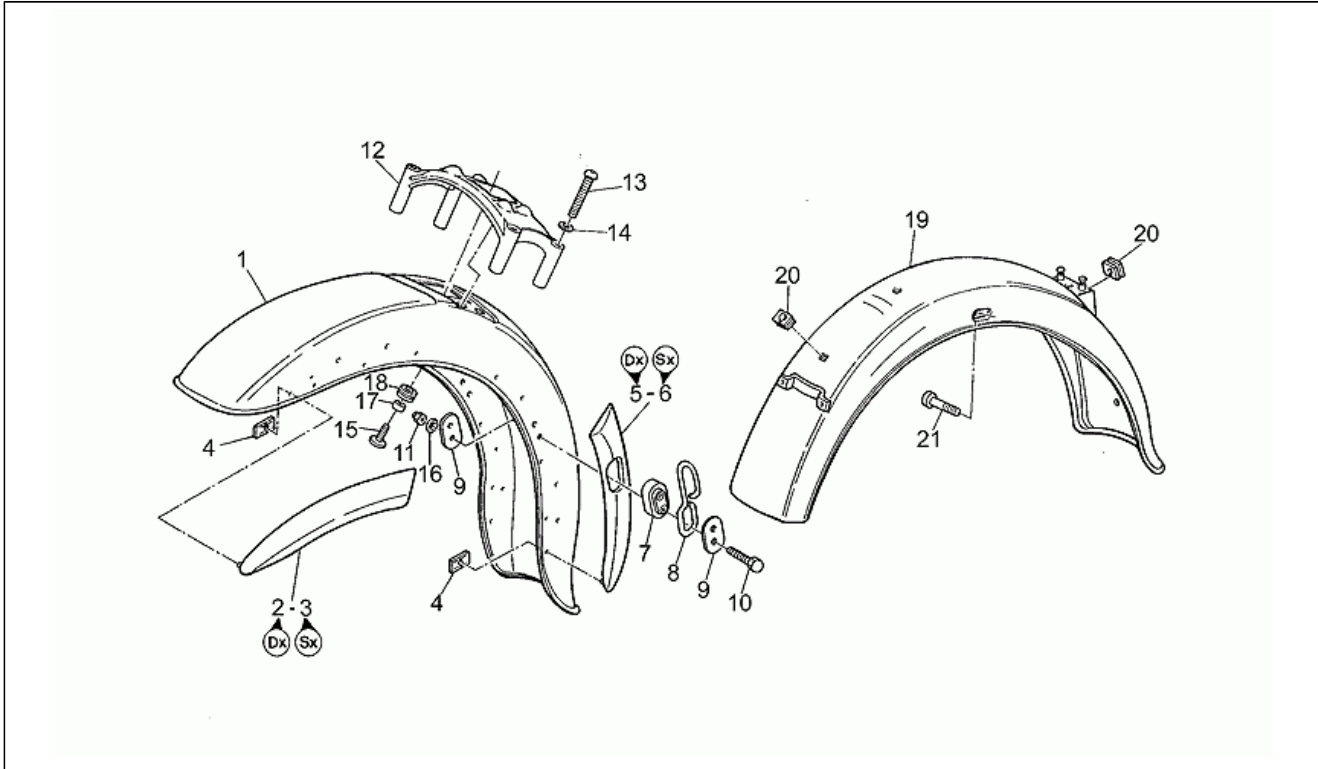


| | |
|--------------------|---------------------|
| Assembly | FRAME |
| Code | 33.18 |
| Description | Front/Rear mudguard |
| Revision | 1 |



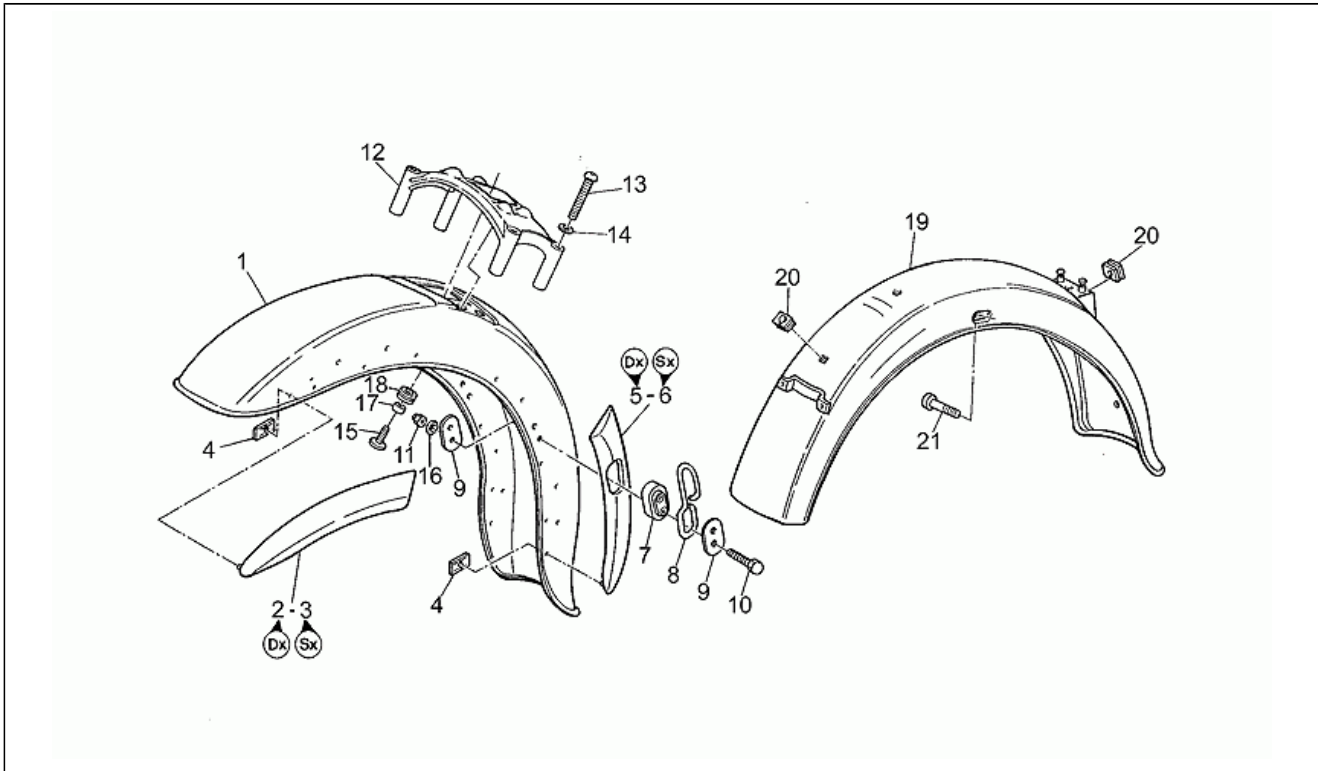
| Pos. | Code | Description | Q.ty | Variants |
|------|------------|--------------------------------|------|--|
| 1 | GU03434300 | Front mudguard blank | 1 | Color:Blank[GR] |
| 1 | GU03434301 | Front mudguard | 1 | year: 1997[V], 1998[W], 1999[X] Color:Orange/Yellow[O/Y] |
| 1 | GU03434302 | Front mudguard | 1 | year: 1997[V], 1998[W], 1999[X] Color:Turkey Blue/Cyan[TB/LB] |
| 1 | GU03434303 | Front mudguard | 1 | year: 1997[V], 1998[W], 1999[X] Color:Red/Cream[R/C] |
| 1 | GU03434304 | Front mudguard | 1 | year: 1997[V], 1998[W], 1999[X] Color:Black/Grey[B/G] |
| 1 | GU03434305 | Front mudguard | 1 | year: 1997[V], 1998[W], 1999[X] Color:Grey-Blue/Met.Blue[GB/B] |
| 1 | GU03434306 | Front mudguard | 1 | year: 2000[Y] Color: Black/Grey[B/G] Technical Specifications:See spare parts comm.n.003 of 2000[00300N] |
| 1 | GU03434307 | Front mudguard | 1 | year: 2000[Y] Color: Turkey Blue/Cyan[TB/LB] Technical Specifications:See spare parts comm.n.003 of 2000[00300N] |
| 1 | GU89000347 | Front mudguard | 1 | year: 2000[Y] Color: Red/White[R/W] Technical Specifications:See spare parts comm.n.003 of 2000[00300N] |
| 2 | GU03435200 | Front RH side profile ch.plate | 1 | |
| 3 | GU03435400 | Front LH side profile ch.plate | 1 | |
| 4 | GU39922200 | Plate | 28 | |
| 5 | GU03435300 | Rear RH side profile ch.plate | 1 | |
| 6 | GU03435500 | Rear LH side profile ch.plate | 1 | |
| 7 | GU03436400 | Rubber spacer | 2 | |
| 8 | GU03436500 | Cable-guide | 2 | |
| 9 | GU03436300 | Plate | 4 | |
| 10 | GU98052225 | Screw | 4 | |

| | |
|--------------------|---------------------|
| Assembly | FRAME |
| Code | 33.18 |
| Description | Front/Rear mudguard |
| Revision | 1 |



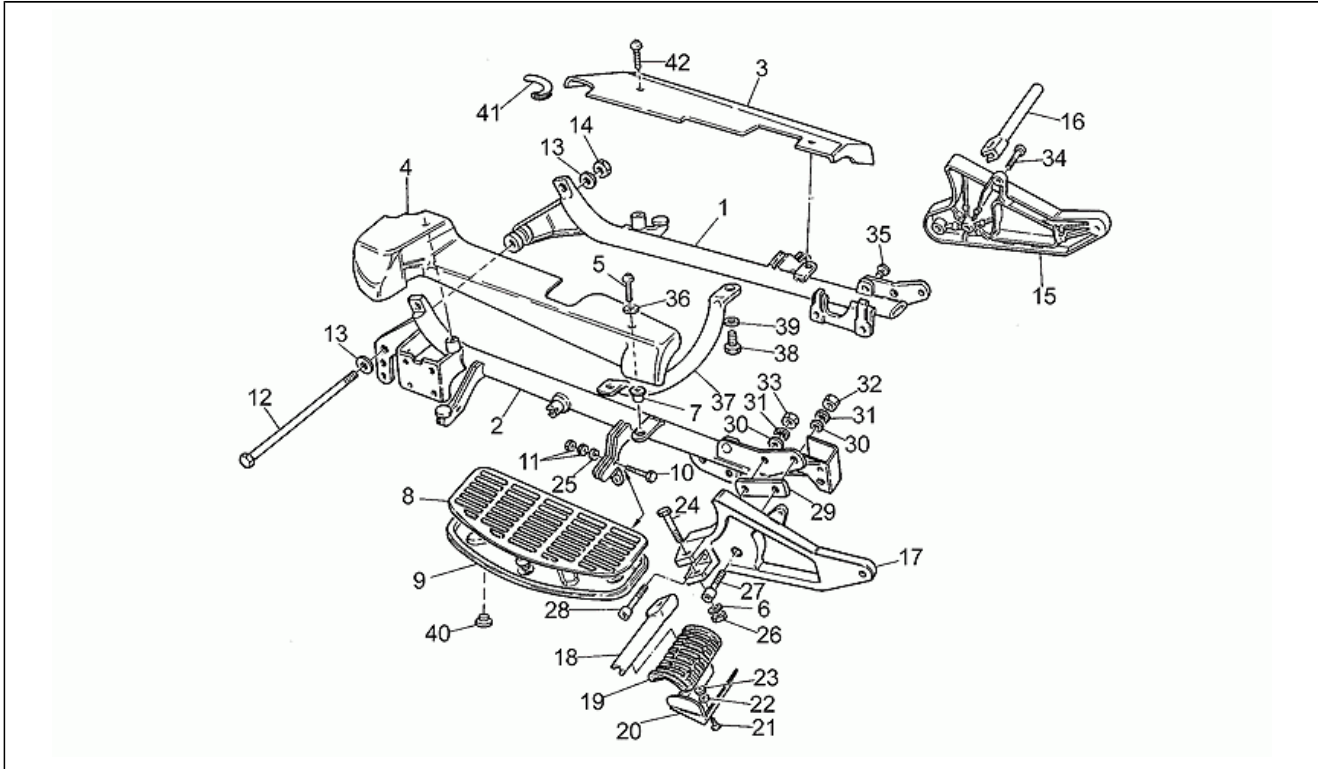
| Pos. | Code | Description | Q.ty | Variants |
|------|-------------|---------------------|------|--|
| 11 | GU92781053 | Cap nut | 4 | |
| 12 | GU03436600 | Stabilization plate | 1 | |
| 13 | GU98230851 | Screw | 4 | |
| 14 | GU14615901 | Washer 8,4X13X0,8 | 4 | |
| 15 | GU98230622 | Screw | 4 | |
| 16 | GU66478610 | Nylon washer 6X17X1 | 4 | |
| 17 | GU30576100 | Spacer D.6,5 | 4 | |
| 18 | GU91551010 | Rubber spacer | 4 | |
| 19 | GU03437001 | Rear mudguard | 1 | year: 1997[V], 1998[W], 1999[X] Color:Orange/Yellow[O/Y] |
| 19 | GU03437002 | Rear mudguard | 1 | year: 1997[V], 1998[W], 1999[X] Color:Turkey Blue/Cyan[TB/LB] |
| 19 | GU03437003 | Rear mudguard | 1 | year: 1997[V], 1998[W], 1999[X] Color:Red/Cream[R/C] |
| 19 | GU03437004 | Rear mudguard | 1 | year: 1997[V], 1998[W], 1999[X] Color:Black/Grey[B/G] |
| 19 | GU03437005 | Rear mudguard | 1 | year: 1997[V], 1998[W], 1999[X] Color:Grey-Blue/Met.Blue[GB/B] |
| 19 | GU03437006 | Rear mudguard | 1 | year: 2000[Y] Color: Black/Grey[B/G] Technical Specifications:See spare parts comm.n.003 of 2000[00300N] |
| 19 | GU03437007 | Rear mudguard | 1 | year: 2000[Y] Color: Turkey Blue/Cyan[TB/LB] Technical Specifications:See spare parts comm.n.003 of 2000[00300N] |
| 19 | GU304370602 | Rear mudguard blank | 1 | Color:Blank[GR] |
| 19 | GU89000348 | Rear mudguard | 1 | year: 2000[Y] Color: Red/White[R/W] Technical Specifications:See spare parts comm.n.003 of 2000[00300N] |
| 20 | GU91551099 | Rubber spacer | 2 | |

| | |
|--------------------|---------------------|
| Assembly | FRAME |
| Code | 33.18 |
| Description | Front/Rear mudguard |
| Revision | 1 |



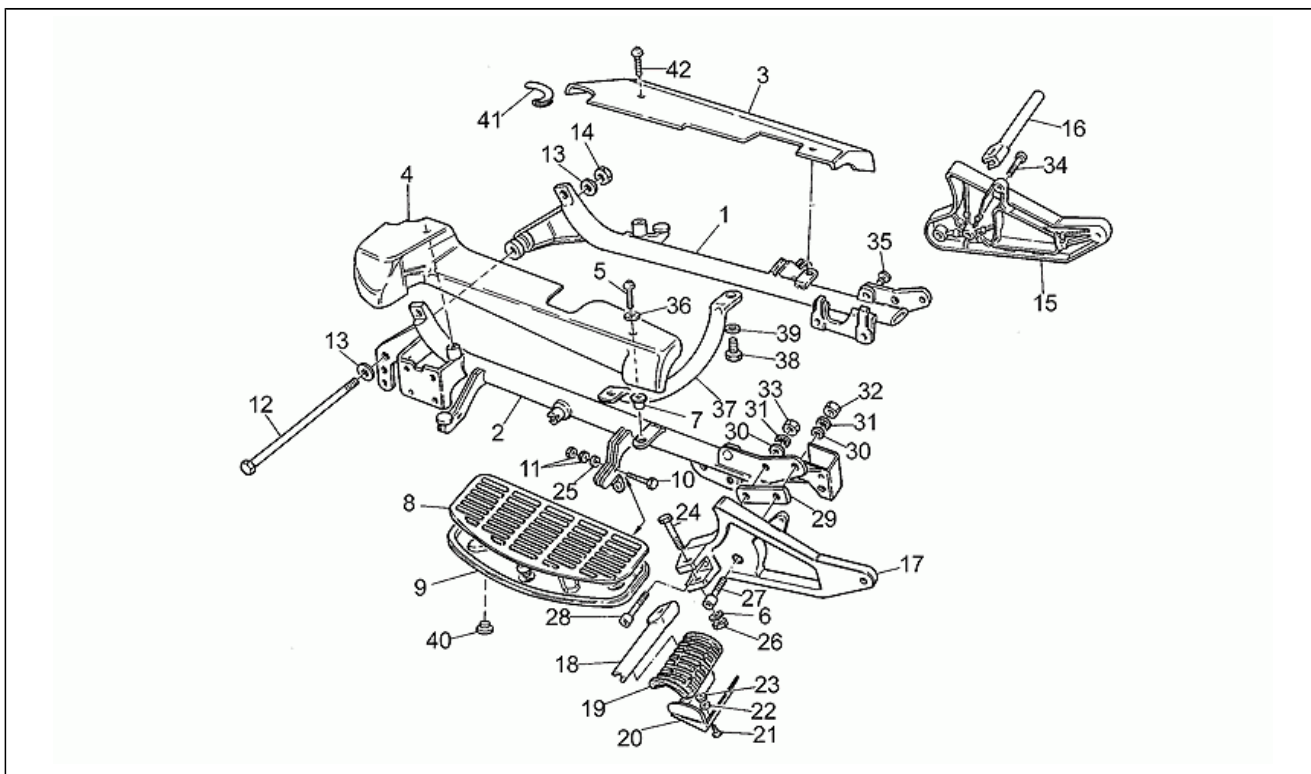
| Pos. | Code | Description | Q.ty | Variants |
|------|------------|-------------|------|----------|
| 21 | GU03439000 | Screw | 2 | |

| | |
|--------------------|------------|
| Assembly | FRAME |
| Code | 33.19 |
| Description | Foot rests |
| Revision | 1 |



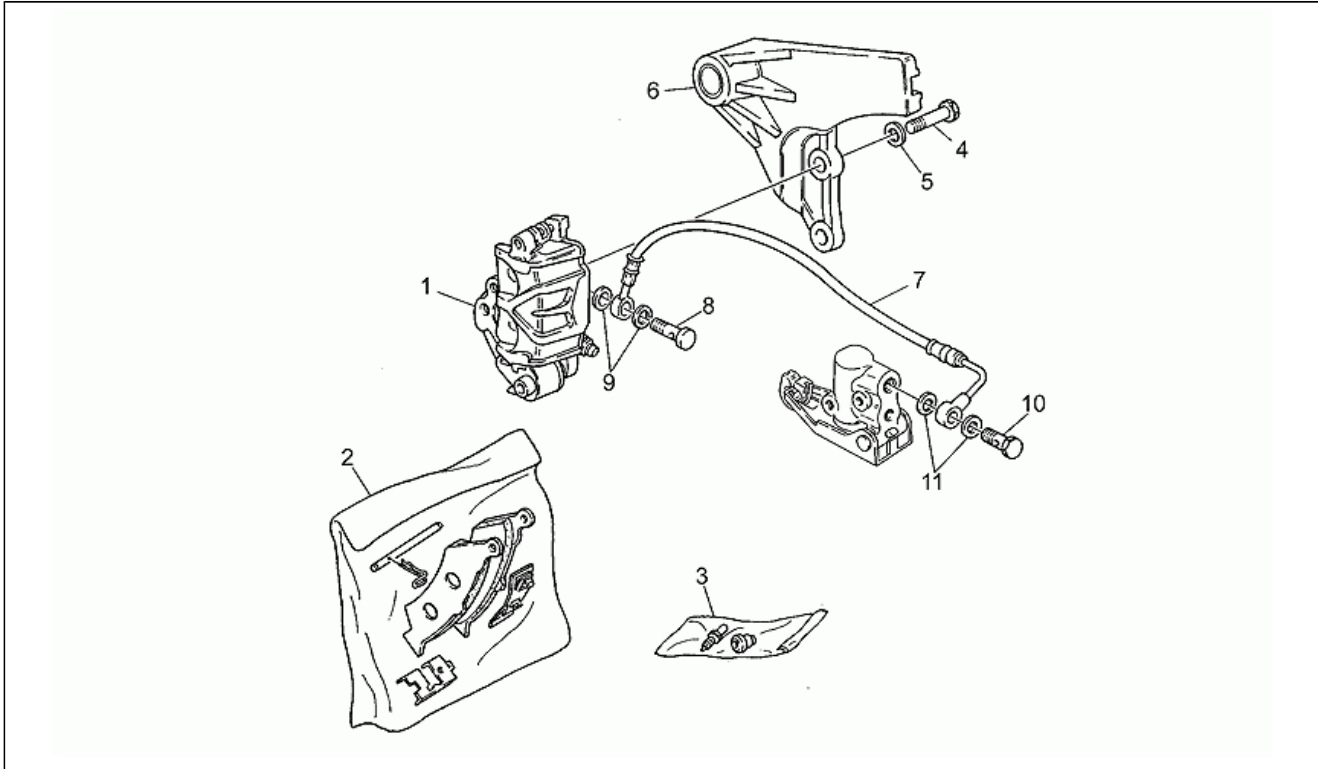
| Pos. | Code | Description | Q.ty | Variants |
|------|------------|-------------------------------|------|---|
| 1 | GU03420300 | RH cradle arm | 1 | |
| 2 | GU03422100 | LH cradle arm | 1 | |
| 3 | GU03446900 | RH cover chromium plated | 1 | year:1997[V], 1998[W], 1999[X], 2000[Y] |
| 4 | GU03447400 | LH cover chromium plated | 1 | year:1997[V], 1998[W], 1999[X], 2000[Y] |
| 5 | GU98230621 | Screw M6X20 | 5 | |
| 6 | GU95004208 | Washer | 1 | |
| 7 | GU93231606 | Antivibration bush M6 | 5 | |
| 8 | GU30447060 | Mat | 2 | |
| 9 | GU29443501 | Foot rest | 2 | |
| 10 | GU98052430 | Hex screw M8x30 | 4 | |
| 11 | GU92630108 | Nut | 4 | |
| 12 | GU14429500 | Pin | 1 | |
| 13 | GU95000213 | Washer | 2 | |
| 14 | GU92602312 | Nut | 1 | |
| 15 | GU29443550 | RH foot rest support polished | 1 | |
| 16 | GU23440710 | RH front foot rest pipe | 1 | |
| 17 | GU29446050 | LH footrest support polished | 1 | |
| 18 | GU23441810 | LH front foot rest pipe | 1 | |
| 19 | GU23443210 | Rubber pedal | 2 | |
| 20 | GU23441210 | Plate | 2 | |
| 21 | GU98054314 | Screw | 2 | |
| 22 | GU61013800 | Special washer | 2 | |
| 23 | GU91180602 | Spacer | 2 | |
| 24 | GU29442250 | Screw | 2 | |
| 25 | GU61270300 | Spring washer 8x15x0,3 | 6 | |
| 26 | GU92630508 | Nut | 2 | |
| 27 | GU98623635 | Screw M12X35 | 1 | |
| 28 | GU98621650 | Screw M12X50 | 2 | |

| | |
|--------------------|------------|
| Assembly | FRAME |
| Code | 33.19 |
| Description | Foot rests |
| Revision | 1 |



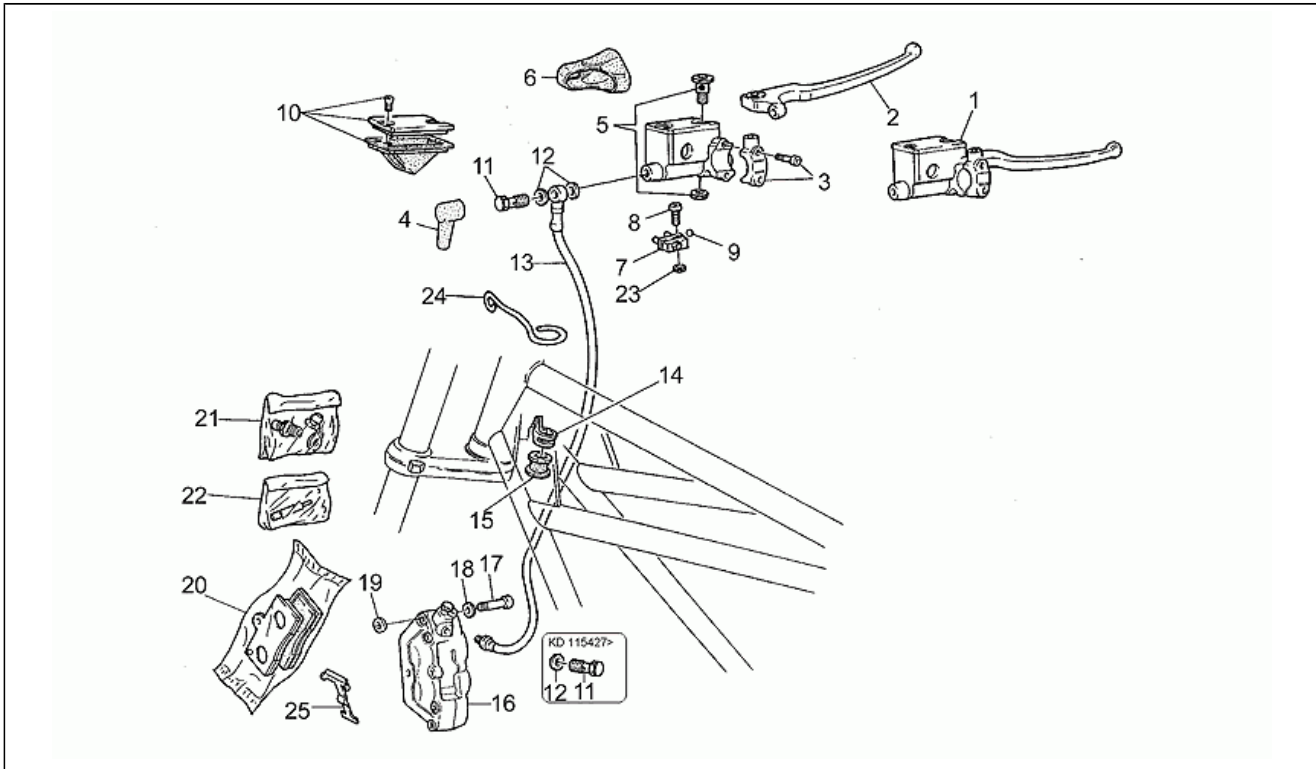
| Pos. | Code | Description | Q.ty | Variants |
|------|---------------|-----------------------------|------|----------|
| 29 | GU17444250 | Plate | 2 | |
| 30 | GU95100414 | Washer | 4 | |
| 31 | GU95021112 | Notched washer | 4 | |
| 32 | GU92602512 | Low nut M12x1,25 | 1 | |
| 33 | GU92602312 | Nut | 3 | |
| 34 | GU98623640 | Screw M12X40 | 1 | |
| 35 | GU93180245 | Plug | 1 | |
| 36 | GU95000206 | Washer | 5 | |
| 37 | GU30425260 | Cradle arms conn.crosspiece | 1 | |
| 38 | GU98054522 | Hex screw M10X22 | 2 | |
| 39 | GU95021110 | Notched washer | 2 | |
| 40 | GU29447150 | Drift | 4 | |
| 41 | GU00823931055 | Gasket | 1 | |
| 42 | GU98230615 | Screw | 1 | |

| | |
|--------------------|---------------|
| Assembly | FRAME |
| Code | 33.20 |
| Description | Brake caliper |
| Revision | 1 |



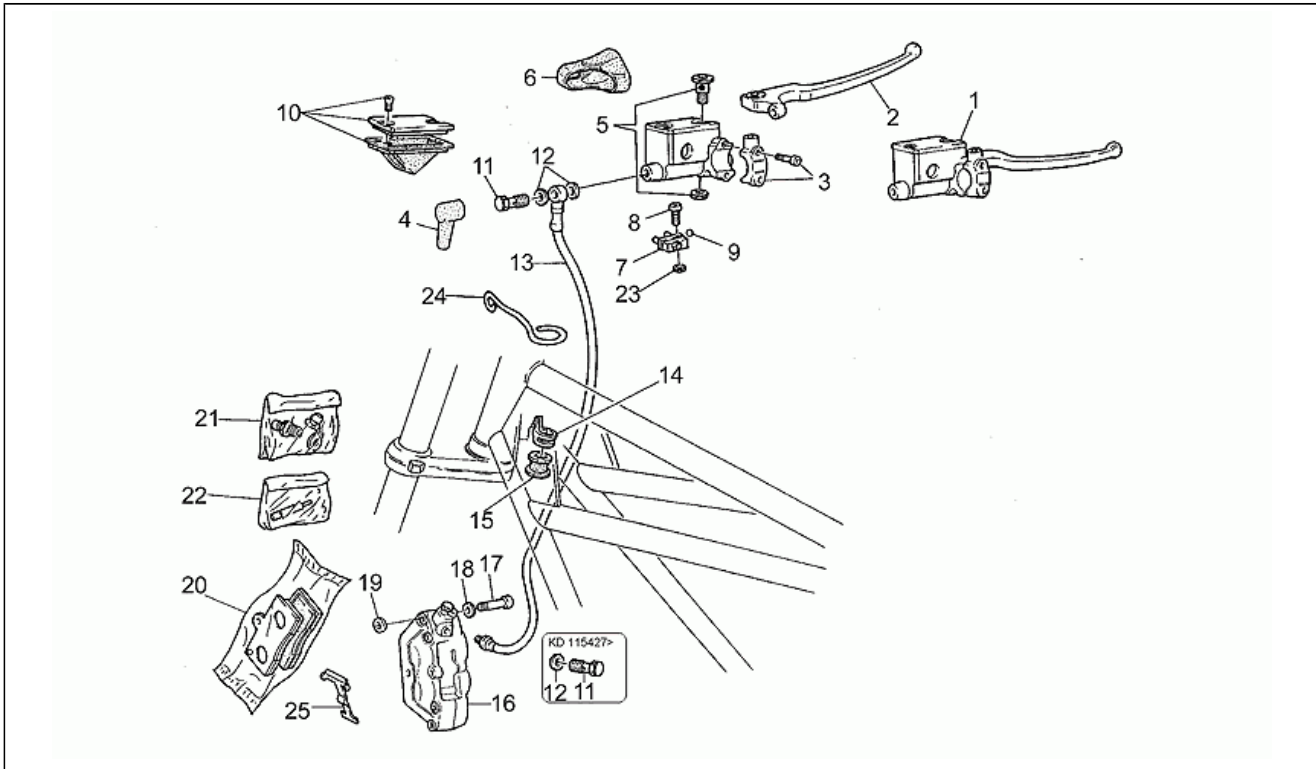
| Pos. | Code | Description | Q.ty | Variants |
|------|------------|--------------------------|------|--|
| 1 | GU03653000 | Rear brake caliper | 1 | Technical Specifications: Until frame KD115426[T1] |
| 1 | GU03653001 | Rear brake caliper, gold | 1 | Technical Specifications: See spare parts comm.n.022 of 2000[02200N], From frame KD115427[T2] |
| 2 | GU03654600 | Pads kit | 1 | |
| 3 | GU31659260 | Bleeder+cap BREMBO D.10 | 1 | |
| 4 | GU98622525 | Screw 25 mm | 2 | |
| 5 | GU19149800 | Washer 10,5x16x1 | 2 | |
| 6 | GU03635800 | Brake hanger plate | 1 | year: 1997[V], 1998[W], 1999[X], 2000[Y] |
| 7 | GU03657500 | Brake hose | 1 | |
| 8 | GU95990028 | Oil pipe screw * | 1 | |
| 9 | GU25656100 | Gasket | 2 | |
| 10 | GU95990040 | Bored screw | 1 | |
| 11 | GU12006400 | Gasket 12,25 | 2 | |

| | |
|--------------------|-----------------------|
| Assembly | FRAME |
| Code | 33.21 |
| Description | Front master cilinder |
| Revision | 1 |



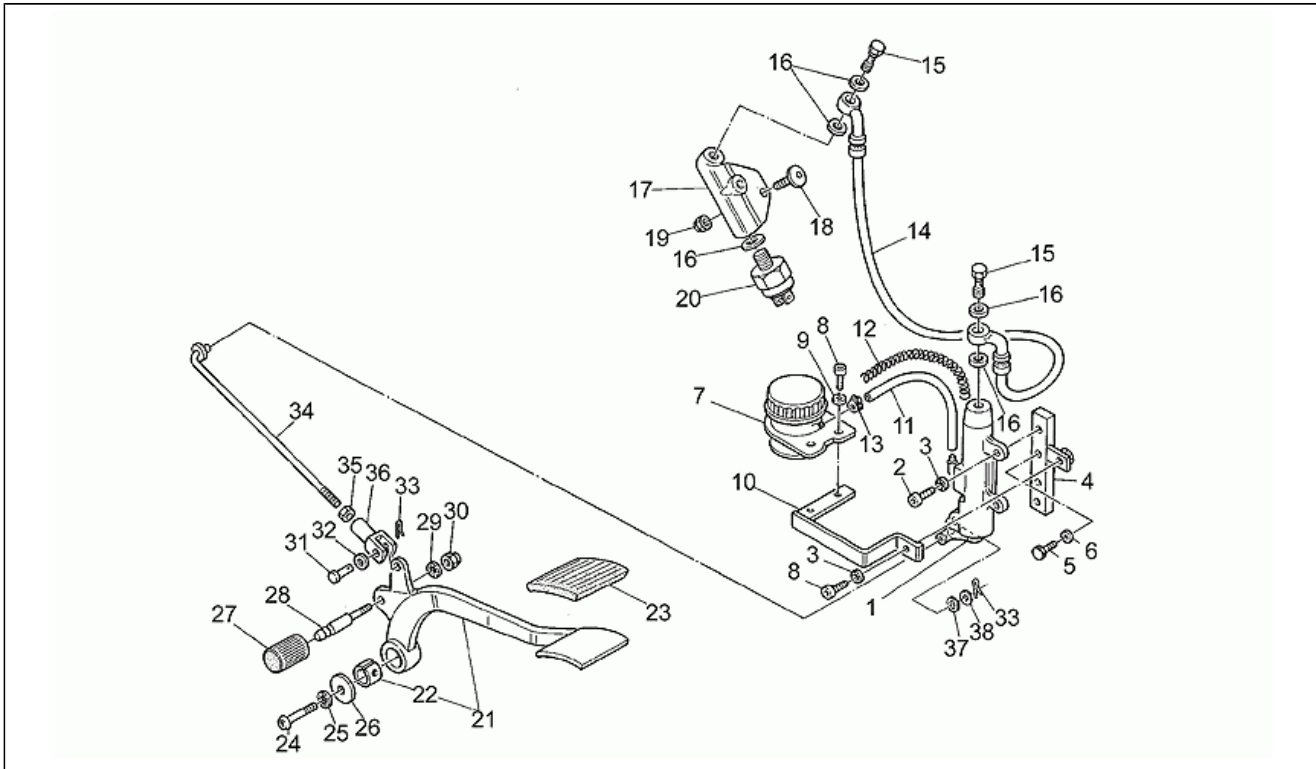
| Pos. | Code | Description | Q.ty | Variants |
|------|------------|------------------------------|------|--|
| 1 | GU30660180 | Front master cilinder | 1 | year: 1997[V], 1998[W], 1999[X], 2000[Y] Technical Specifications: See spare parts comm.n.002 of 1999[00299N] |
| 2 | GU30605680 | Brake lever | 1 | year: 1997[V], 1998[W], 1999[X], 2000[Y] |
| 3 | GU27664075 | Bracket | 1 | year: 1997[V], 1998[W], 1999[X], 2000[Y] |
| 4 | GU39663801 | Cap | 1 | |
| 5 | GU27604815 | Pin | 1 | year: 1997[V], 1998[W], 1999[X], 2000[Y] |
| 6 | GU27663615 | Cap | 1 | |
| 7 | GU30749860 | Microswitch | 1 | year: 1997[V], 1998[W], 1999[X], 2000[Y] |
| 8 | GU98200214 | Screw | 2 | |
| 9 | GU92295708 | Ball | 1 | |
| 10 | GU27661115 | Pump cover | 1 | |
| 11 | GU95990028 | Oil pipe screw * | 1 | |
| 12 | GU25656100 | Gasket | 2 | |
| 13 | GU03657100 | Flexible pipe | 1 | Technical Specifications: Until frame KD115426[T1] |
| 13 | GU03657101 | Flexible pipe | 1 | Technical Specifications: See spare parts comm.n.022 of 2000[02200N], From frame KD115427[T2] |
| 14 | GU03658400 | Hose clamp 10mm | 1 | |
| 15 | GU03658201 | Ring | 1 | Technical Specifications: See spare parts comm.n.013 of 2001[01301N] |
| 15 | GU17658260 | Ring | 1 | |
| 16 | GU01652330 | RH Front brake caliper, gold | 1 | Technical Specifications: See spare parts comm.n.022 of 2000[02200N], From frame KD115427[T2] |
| 16 | GU03652200 | RH front brake caliper, grey | 1 | Technical Specifications: Until frame KD115426[T1] |
| 16 | GU30652302 | RH Front brake caliper, gold | 1 | Technical Specifications: Until frame KD115426[T1] |
| 17 | GU98622530 | Screw | 2 | Technical Specifications: Until frame KD115426[T1] |
| 17 | GU98623530 | Screw | 2 | Technical Specifications: See spare parts comm.n.022 of 2000[02200N], From frame KD115427[T2] |
| 18 | GU19149800 | Washer 10,5x16x1 | 2 | Technical Specifications: See spare parts comm.n.022 of 2000[02200N], From frame KD115427[T2] |

| | |
|--------------------|-----------------------|
| Assembly | FRAME |
| Code | 33.21 |
| Description | Front master cilinder |
| Revision | 1 |



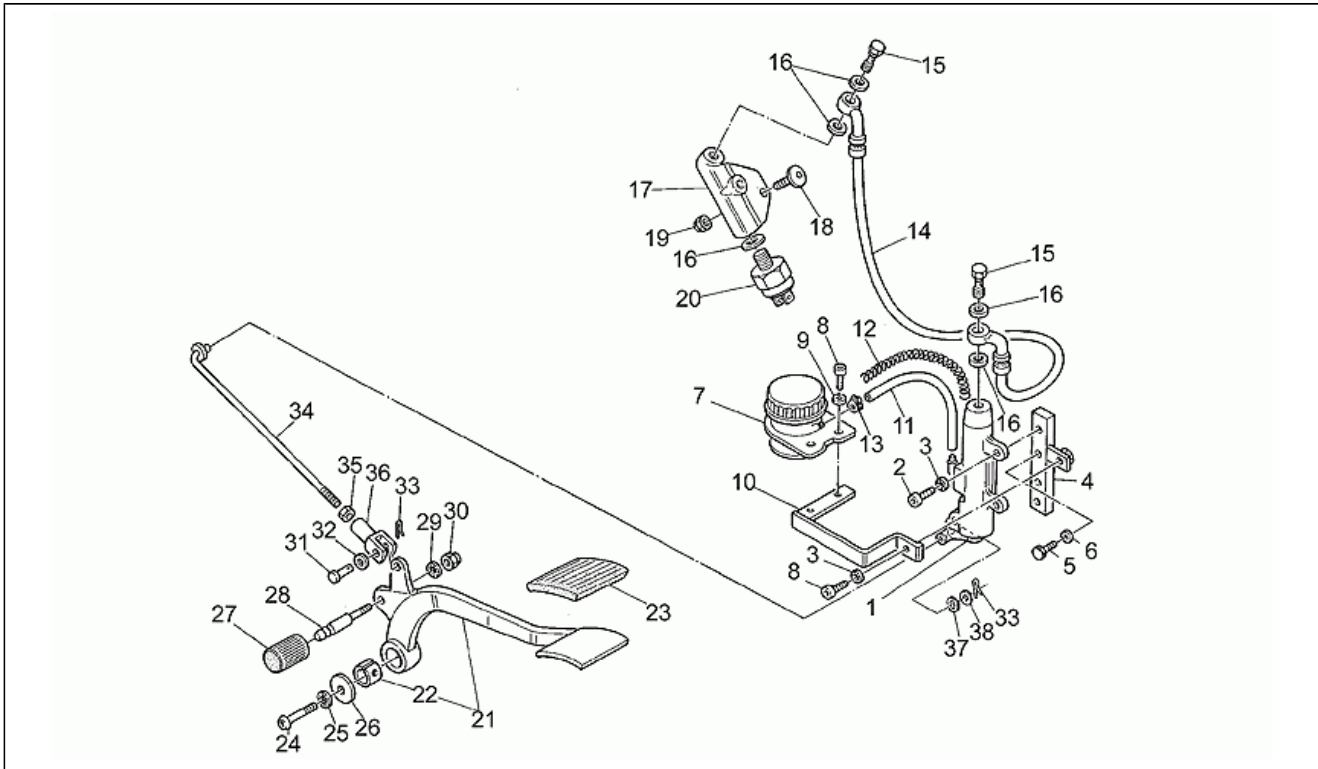
| Pos. | Code | Description | Q.ty | Variants |
|------|------------|-------------------------|------|--|
| 18 | GU95129180 | Washer 10,5X18X0,8 | 2 | Technical Specifications: Until frame KD115426[T1] |
| 19 | GU95100332 | Clearance washer 0,5 mm | 1 | |
| 19 | GU95100333 | Clearance washer 0,8 mm | 1 | |
| 20 | GU01654630 | Pads pair | 2 | Technical Specifications: See spare parts comm.n.022 of 2000[02200N], From frame KD115427[T2] |
| 20 | GU30654602 | Pads pair | 2 | Technical Specifications: Until frame KD115426[T1] |
| 21 | GU01659230 | Bleeder+cap | 2 | Technical Specifications: See spare parts comm.n.022 of 2000[02200N], From frame KD115427[T2] |
| 21 | GU30659200 | Bleeder+cap | 2 | Technical Specifications: Until frame KD115426[T1] |
| 22 | GU01659130 | Pins+Caliper springs | 2 | Technical Specifications: See spare parts comm.n.022 of 2000[02200N], From frame KD115427[T2] |
| 22 | GU30659102 | Pads kit | 2 | Technical Specifications: Until frame KD115426[T1] |
| 23 | GU92601002 | Nut | 2 | |
| 24 | GU03659700 | Cable-guide | 1 | |
| 25 | GU01659131 | Spring | 1 | Technical Specifications: See spare parts comm.n.022 of 2000[02200N], From frame KD115427[T2] |

| | |
|--------------------|----------------------|
| Assembly | FRAME |
| Code | 33.22 |
| Description | Rear master cylinder |
| Revision | 1 |



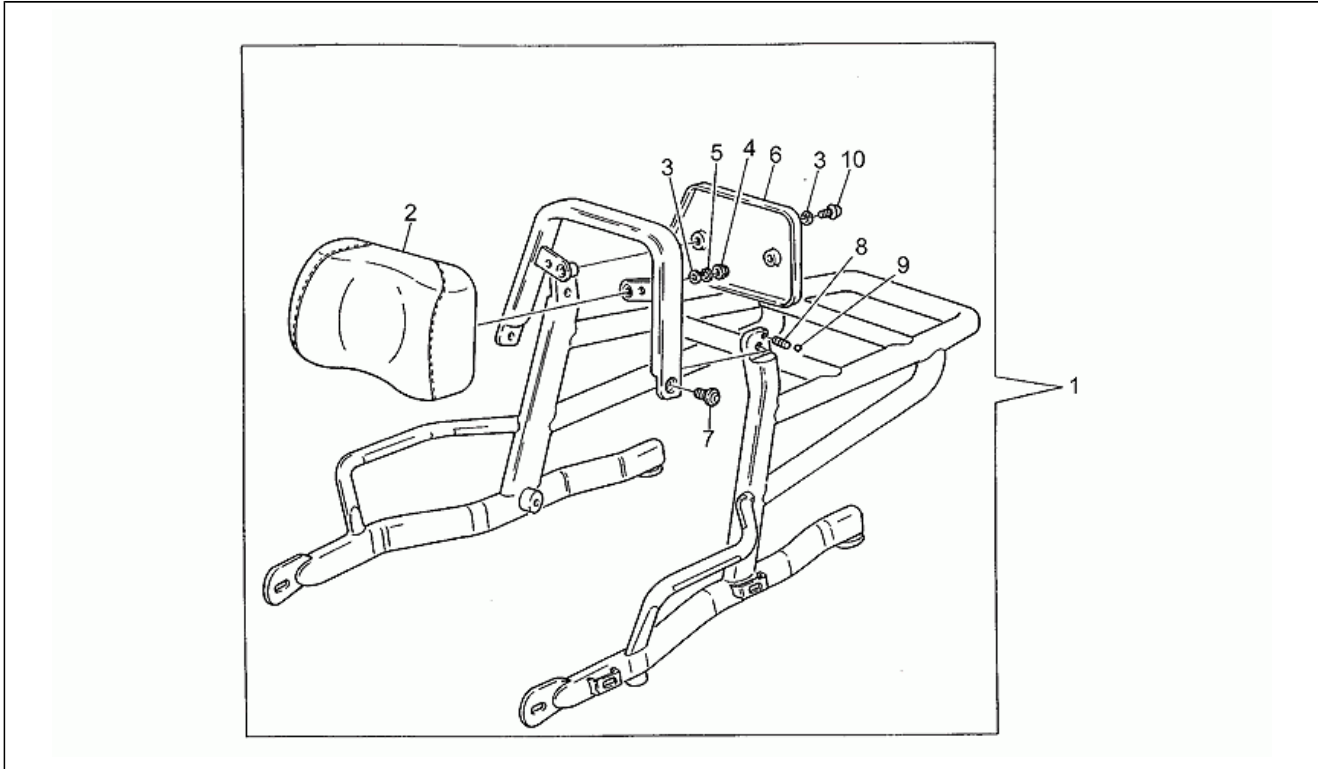
| Pos. | Code | Description | Q.ty | Variants |
|------|---------------|------------------------------|------|----------|
| 1 | GU30666960 | Rear master cylinder | 1 | |
| 2 | GU98622320 | Screw | 2 | |
| 3 | GU14217901 | Washer 6,4x10x0,7 | 3 | |
| 4 | GU30666760 | Support plate | 1 | |
| 5 | GU98054412 | Screw | 2 | |
| 6 | GU14615901 | Washer 8,4X13X0,8 | 2 | |
| 7 | GU65663500 | Brake oil tank | 1 | |
| 8 | GU98622310 | Screw | 3 | |
| 9 | GU95000206 | Washer | 2 | |
| 10 | GU30666060 | Oil tank plate | 1 | |
| 11 | GU00823950050 | Oil pipe | 1 | |
| 12 | GU30665860 | Spring | 1 | |
| 13 | GU19157800 | Hose clamp | 2 | |
| 14 | GU03658500 | Hose from pump to delayvalve | 1 | |
| 15 | GU95990028 | Oil pipe screw * | 2 | |
| 16 | GU25656100 | Gasket | 2 | |
| 17 | GU17656850 | Distributor | 1 | |
| 18 | GU98230616 | Screw | 1 | |
| 19 | GU92630206 | Nut M6x1 | 1 | |
| 20 | GU63657000 | Switch | 1 | |
| 21 | GU03675900 | Rear brake lever | 1 | |
| 22 | GU30678160 | Bush | 1 | |
| 23 | GU43262180 | Rubber pedal | 1 | |
| 24 | GU98230816 | Screw | 1 | |
| 25 | GU61270300 | Spring washer 8x15x0,3 | 1 | |
| 26 | GU18259151 | Washer | 1 | |
| 27 | GU13432640 | Rubber pedal | 1 | |
| 28 | GU18678350 | Pin | 1 | |

| | |
|--------------------|----------------------|
| Assembly | FRAME |
| Code | 33.22 |
| Description | Rear master cylinder |
| Revision | 1 |



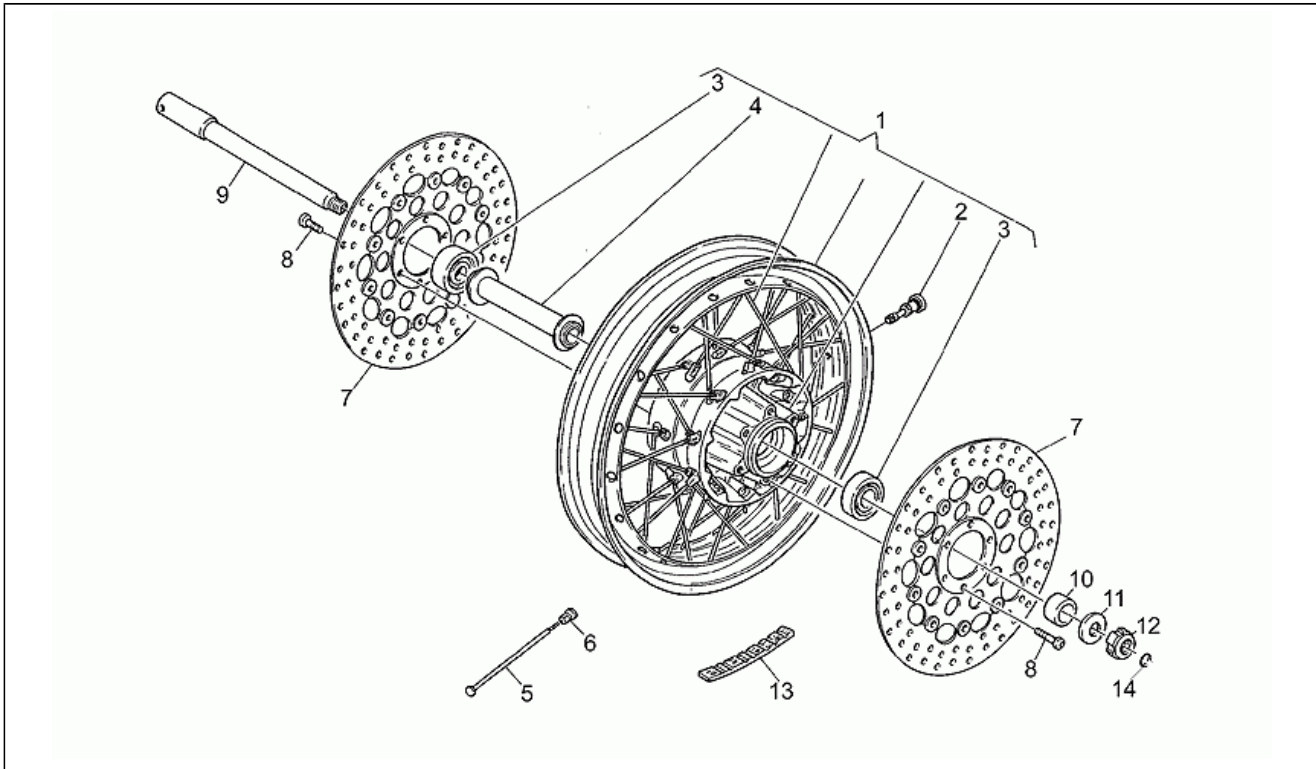
| Pos. | Code | Description | Q.ty | Variants |
|------|------------|-----------------|------|----------|
| 29 | GU61013800 | Special washer | 1 | |
| 30 | GU92602206 | Nut | 1 | |
| 31 | GU95770265 | Pin | 1 | |
| 32 | GU95129110 | Washer | 1 | |
| 33 | GU95500222 | Split pin | 2 | |
| 34 | GU30675160 | Tie rod | 1 | |
| 35 | GU92690073 | Nut | 1 | |
| 36 | GU95740175 | Fork | 1 | |
| 37 | GU95129130 | Spring washer | 1 | |
| 38 | GU95100173 | Washer 7,5x13x1 | 1 | |

| | |
|--------------------|--------------|
| Assembly | FRAME |
| Code | 33.23 |
| Description | Luggage rack |
| Revision | 1 |



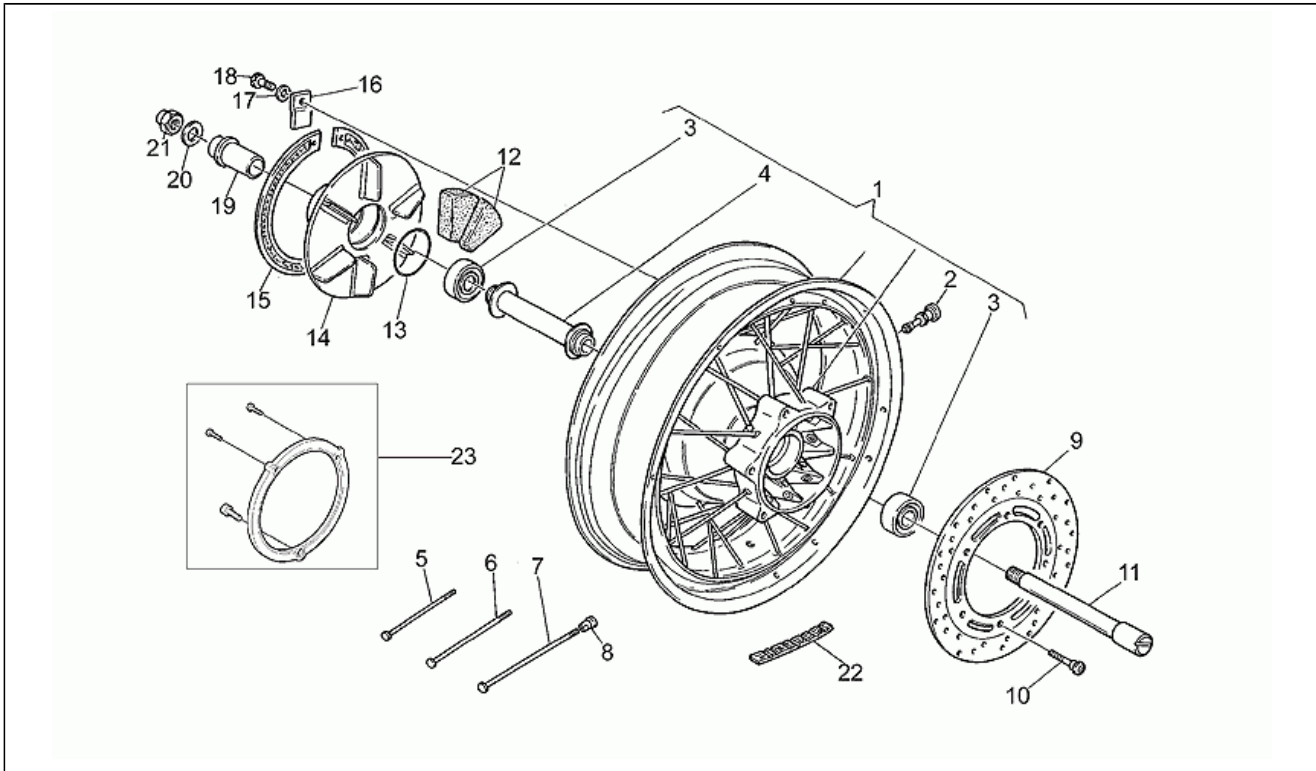
| Pos. | Code | Description | Q.ty | Variants |
|------|------------|------------------------|------|---|
| 1 | GU03466501 | Parcel rack assy | 1 | year:1997[V], 1998[W], 1999[X], 2000[Y] |
| 2 | GU03468000 | Seat cushion | 1 | year:1997[V], 1998[W], 1999[X], 2000[Y] |
| 3 | GU95001206 | Washer | 4 | |
| 4 | GU92602206 | Nut | 2 | |
| 5 | GU61270300 | Spring washer 8x15x0,3 | 2 | |
| 6 | GU03468200 | Cover | 1 | year:1997[V], 1998[W], 1999[X], 2000[Y] |
| 7 | GU31468165 | Screw | 2 | |
| 8 | GU94321007 | Spring | 1 | |
| 9 | GU92295708 | Ball | 1 | |
| 10 | GU98230619 | Hex socket screw M6x18 | 2 | |

| | |
|--------------------|-------------|
| Assembly | FRAME |
| Code | 33.24 |
| Description | Front wheel |
| Revision | 1 |



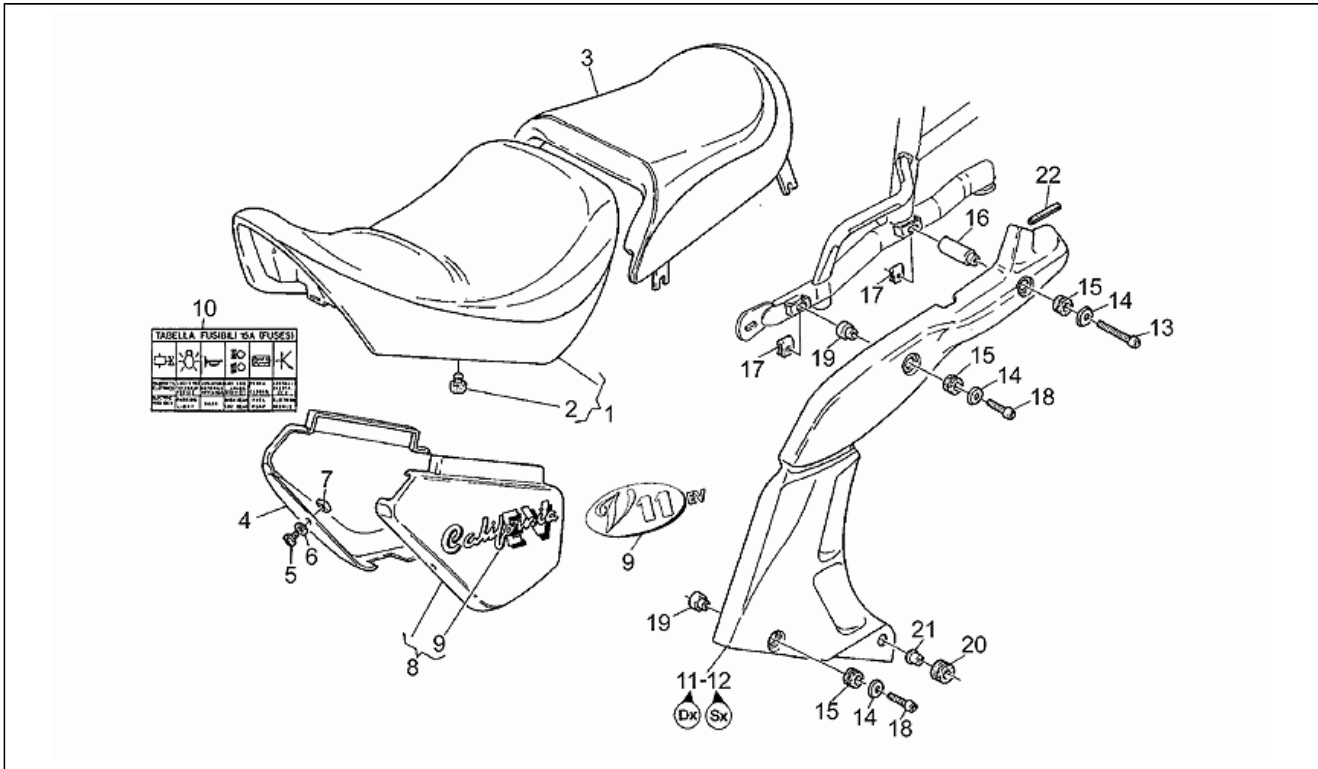
| Pos. | Code | Description | Q.ty | Variants |
|------|------------|-------------------------|------|--|
| 1 | GU03610300 | Front wheel | 1 | year:1997[V], 1998[W], 1999[X], 2000[Y] |
| 2 | GU03617700 | Air valve | 1 | |
| 3 | GU92201821 | Bearing 20x52x15 | 1 | |
| 4 | GU03615300 | Bearing internal spacer | 1 | year:1997[V], 1998[W], 1999[X], 2000[Y] |
| 5 | GU03611600 | Spoke | 40 | year:1997[V], 1998[W], 1999[X], 2000[Y] |
| 6 | GU03611700 | Nipple | 40 | year:1997[V], 1998[W], 1999[X], 2000[Y] |
| 7 | GU37613305 | Front brake disc | 2 | |
| 8 | GU98230820 | Hex socket screw M8x20 | 12 | Technical Specifications: See spare parts comm.n.022 of 2000[02200N], From frame KD115427[T2] |
| 8 | GU98230825 | Screw | 12 | Technical Specifications: Until frame KD115426[T1] |
| 9 | GU01614100 | Front wheel spindle | 1 | Technical Specifications: Until frame KD115426[T1] |
| 9 | GU03614101 | Front wheel spindle | 1 | Technical Specifications: See spare parts comm.n.022 of 2000[02200N], From frame KD115427[T2] |
| 10 | GU03616300 | LH spacer | 1 | |
| 11 | GU95004219 | Washer | 1 | |
| 12 | GU93704160 | Ring nut | 1 | |
| 13 | GU14616150 | Counterweight | 1 | |
| 14 | GU93180111 | Plug 15 mm | 1 | Technical Specifications: See spare parts comm.n.022 of 2000[02200N], From frame KD115427[T2] |

| | |
|--------------------|------------|
| Assembly | FRAME |
| Code | 33.25 |
| Description | Rear wheel |
| Revision | 1 |



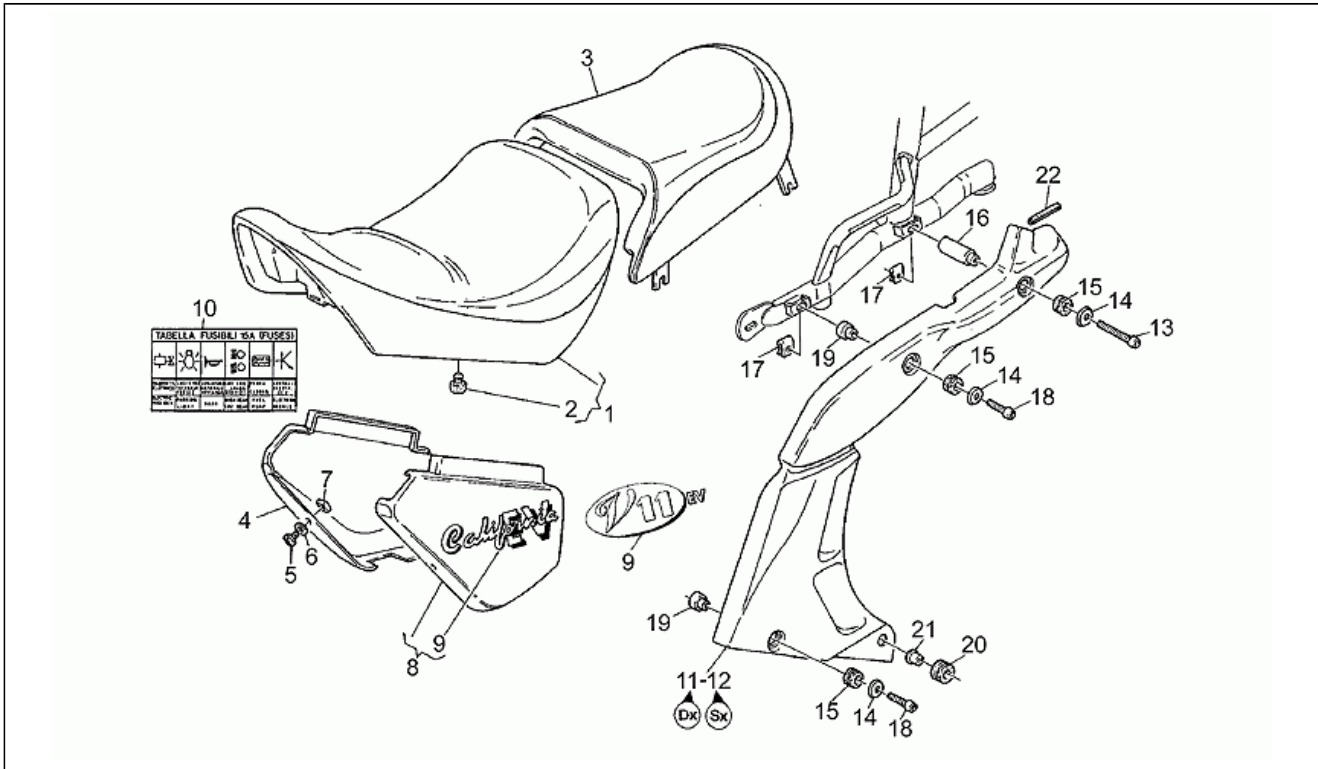
| Pos. | Code | Description | Q.ty | Variants |
|------|---------------|------------------------|------|---|
| 1 | GU03630601001 | Rear wheel | 1 | year:1997[V], 1998[W], 1999[X], 2000[Y] |
| 2 | GU03617700 | Air valve | 1 | |
| 3 | GU92204220 | Ball bearing 20X47X14 | 2 | |
| 4 | GU14634051 | Spacer | 1 | year:1997[V], 1998[W], 1999[X], 2000[Y] |
| 5 | GU03631100 | Spoke 112 mm | 20 | year:1997[V], 1998[W], 1999[X], 2000[Y] |
| 6 | GU03631000 | Spoke 164 mm | 10 | year:1997[V], 1998[W], 1999[X], 2000[Y] |
| 7 | GU03631400 | Spoke 170 mm | 10 | year: 1997[V], 1998[W], 1999[X], 2000[Y] Technical Specifications: See spare parts comm.n.010 of 1998[01098N] |
| 8 | GU03611700 | Nipple | 40 | |
| 9 | GU01635700 | Rear brake disc, black | 1 | Technical Specifications: Until frame KD115426[T1] |
| 9 | GU03635700 | Rear brake disc gold | 1 | Technical Specifications: See spare parts comm.n.022 of 2000[02200N], From frame KD115427[T2] |
| 10 | GU30611460 | Screw | 6 | |
| 11 | GU03633300 | Rear wheel spindle | 1 | year:1997[V], 1998[W], 1999[X], 2000[Y] |
| 12 | GU01336800 | Rubber cush drive hub | 12 | year:1997[V], 1998[W], 1999[X], 2000[Y] |
| 13 | GU90706490 | O-ring | 1 | |
| 14 | GU30335260 | Flexible coupling disc | 1 | |
| 15 | GU14335303 | Snap ring | 1 | |
| 16 | GU17335950 | Plate | 1 | |
| 17 | GU61013800 | Special washer | 1 | |
| 18 | GU98054312 | Screw | 1 | |
| 19 | GU30634160 | Spacer | 1 | year:1997[V], 1998[W], 1999[X], 2000[Y] |
| 20 | GU14634400 | Washer | 1 | |
| 21 | GU29616450 | Nut | 1 | |
| 22 | GU14616150 | Counterweight | 1 | |
| 23 | GU03339800 | Flange | 1 | |

| | |
|--------------------|---------|
| Assembly | FRAME |
| Code | 33.26 |
| Description | Saddles |
| Revision | 1 |



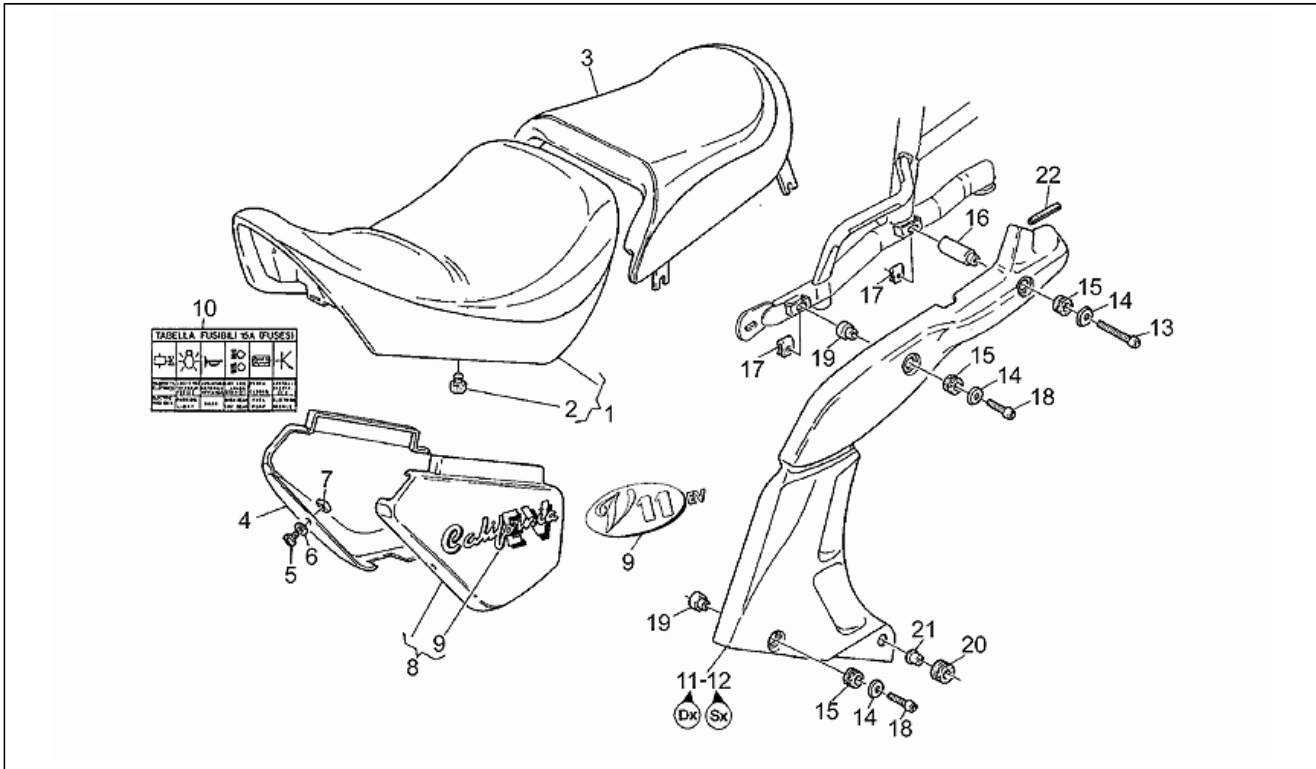
| Pos. | Code | Description | Q.ty | Variants |
|------|------------|---------------------|------|--|
| 1 | GU03460500 | Driver saddle | 1 | year:1997[V], 1998[W], 1999[X], 2000[Y] |
| 2 | GU29461650 | Drift | 4 | |
| 3 | GU03464000 | Rear saddle | 1 | year:1997[V], 1998[W], 1999[X], 2000[Y] |
| 4 | GU03476206 | RH side cover blank | 1 | Color:Blank[GR] |
| 4 | GU03476207 | RH side panel | 1 | year: 1997[V], 1998[W], 1999[X] Color:Orange[O] |
| 4 | GU03476208 | RH side panel | 1 | Color:Turkey Blue[TB] |
| 4 | GU03476209 | RH side panel | 1 | year: 1997[V], 1998[W], 1999[X] Color:Red[R] |
| 4 | GU03476210 | RH side panel | 1 | Color:Met.Black[B] |
| 4 | GU03476211 | RH side panel | 1 | year: 1997[V], 1998[W], 1999[X] Color:Grey/Met.Blue[G/B] |
| 4 | GU03476221 | RH side panel | 1 | year: 1997[V], 1998[W] Color: Orange[O] Country:United States of America[USA] |
| 4 | GU03476222 | RH side panel | 1 | year: 1997[V], 1998[W] Color: Turkey Blue[TB] Country:United States of America[USA] |
| 4 | GU03476223 | RH side panel | 1 | year: 1997[V], 1998[W] Color: Red[R] Country:United States of America[USA] |
| 4 | GU03476224 | RH side panel | 1 | year: 1997[V], 1998[W] Color: Met.Black[B] Country:United States of America[USA] |
| 4 | GU03476225 | RH side panel | 1 | year: 1997[V], 1998[W] Color: Grey/Met.Blue[G/B] Country:United States of America[USA] |
| 4 | GU03476226 | RH side panel | 1 | year: 1999[X] Color: Orange[O] Country:United States of America[USA] |
| 4 | GU03476227 | RH side panel | 1 | year: 1999[X], 2000[Y] Color: Turkey Blue[TB] |

| | |
|--------------------|---------|
| Assembly | FRAME |
| Code | 33.26 |
| Description | Saddles |
| Revision | 1 |



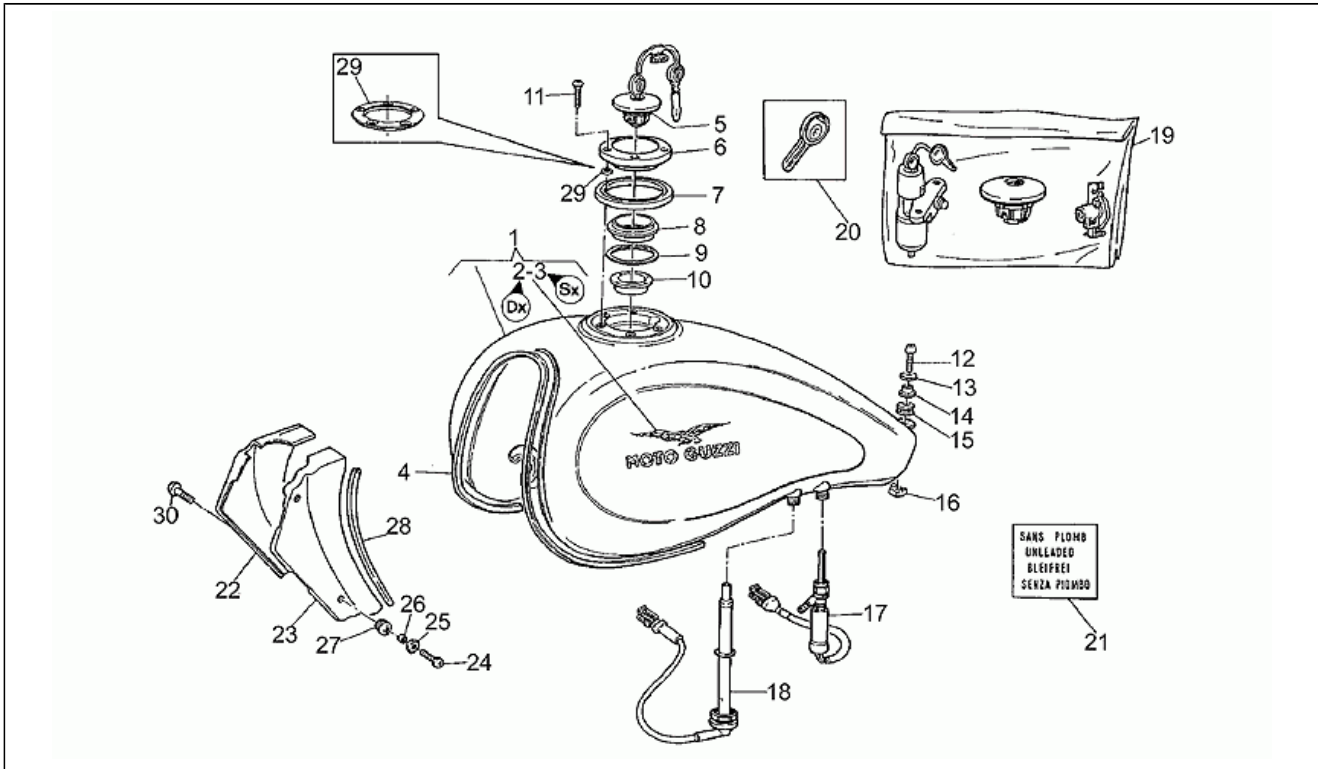
| Pos. | Code | Description | Q.ty | Variants |
|------|------------|---------------|------|---|
| | | | | Country: United States of America[USA] |
| 8 | GU03476322 | LH side panel | 1 | year: 1997[V], 1998[W] Color: Turkey Blue[TB] Country: United States of America[USA] |
| 8 | GU03476323 | LH side panel | 1 | year: 1997[V], 1998[W] Color: Red[R] Country: United States of America[USA] |
| 8 | GU03476324 | LH side panel | 1 | year: 1997[V], 1998[W] Color: Met.Black[B] Country: United States of America[USA] |
| 8 | GU03476325 | LH side panel | 1 | year: 1997[V], 1998[W] Color: Grey/Met.Blue[G/B] Country: United States of America[USA] |
| 8 | GU03476326 | LH side panel | 1 | year: 1999[X] Color: Orange[O] Country: United States of America[USA] |
| 8 | GU03476327 | LH side panel | 1 | year: 1999[X], 2000[Y] Color: Turkey Blue[TB] Country: United States of America[USA] |
| 8 | GU03476328 | LH side panel | 1 | year: 1999[X] Color: Red[R] Country: United States of America[USA] |
| 8 | GU03476329 | LH side panel | 1 | year: 1999[X], 2000[Y] Color: Met.Black[B] Country: United States of America[USA] |
| 8 | GU89000264 | LH side panel | 1 | year: 1999[X] Color: Grey/Met.Blue[G/B] Country: United States of America[USA] |
| 8 | GU89000350 | LH side panel | 1 | year: 2000[Y] Color: Cherry Red[CR] Technical Specifications: See spare parts comm.n.003 of 2000[00300N] |
| 8 | GU89000363 | LH side panel | 1 | year: 2000[Y] Color: Cherry Red[CR] |

| | |
|--------------------|---------|
| Assembly | FRAME |
| Code | 33.26 |
| Description | Saddles |
| Revision | 1 |



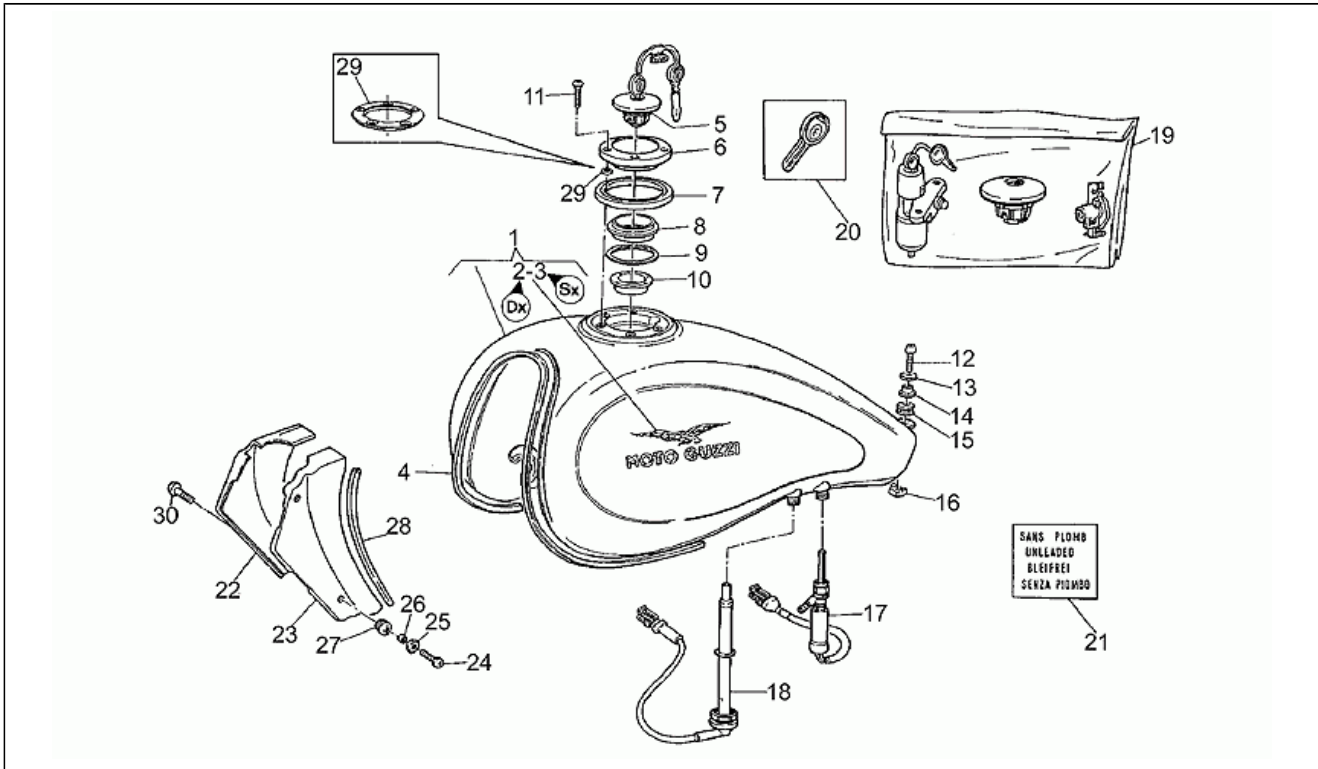
| Pos. | Code | Description | Q.ty | Variants |
|------|---------------|------------------------------|------|--|
| | | | | Country: United States of America[USA] Technical Specifications: See spare parts comm.n.003 of 2000[00300N] |
| 9 | GU03922001 | Trans."Calif.V11 EV" sil/wh | 1 | |
| 9 | GU03922020 | Trans."Calif.V11 EV" red/sil | 1 | year: 1997[V], 1998[W] Country: United States of America[USA] |
| 9 | GU03922021 | Trans."Calif.V11 EV" sil | 1 | year: 1999[X], 2000[Y] Country: United States of America[USA] |
| 10 | GU03945400 | Sticker "schema fusibili" | 1 | |
| 11 | GU03467300 | RH rear wall | 1 | year: 1997[V], 1998[W], 1999[X], 2000[Y] |
| 12 | GU03466900 | LH rear wall | 1 | year: 1997[V], 1998[W], 1999[X], 2000[Y] |
| 13 | GU98230645 | Screw | 2 | |
| 14 | GU03462800 | Washer | 6 | |
| 15 | GU91551105 | Rubber spacer | 6 | |
| 16 | GU03471802 | Spacer | 2 | year: 1997[V], 1998[W], 1999[X], 2000[Y] Technical Specifications: See spare parts comm.n.010 of 1998[01098N] |
| 17 | GU28576590 | Clip | 4 | |
| 18 | GU98230626 | Screw 6X25 | 4 | |
| 19 | GU03471801 | Under spacer | 4 | year: 1997[V], 1998[W], 1999[X], 2000[Y] |
| 20 | GU91551106 | Rubber spacer | 2 | |
| 21 | GU91120808 | Spacer | 2 | |
| 22 | GU00823931055 | Gasket | 1 | |

| | |
|--------------------|-----------|
| Assembly | FRAME |
| Code | 33.27 |
| Description | Fuel tank |
| Revision | 1 |



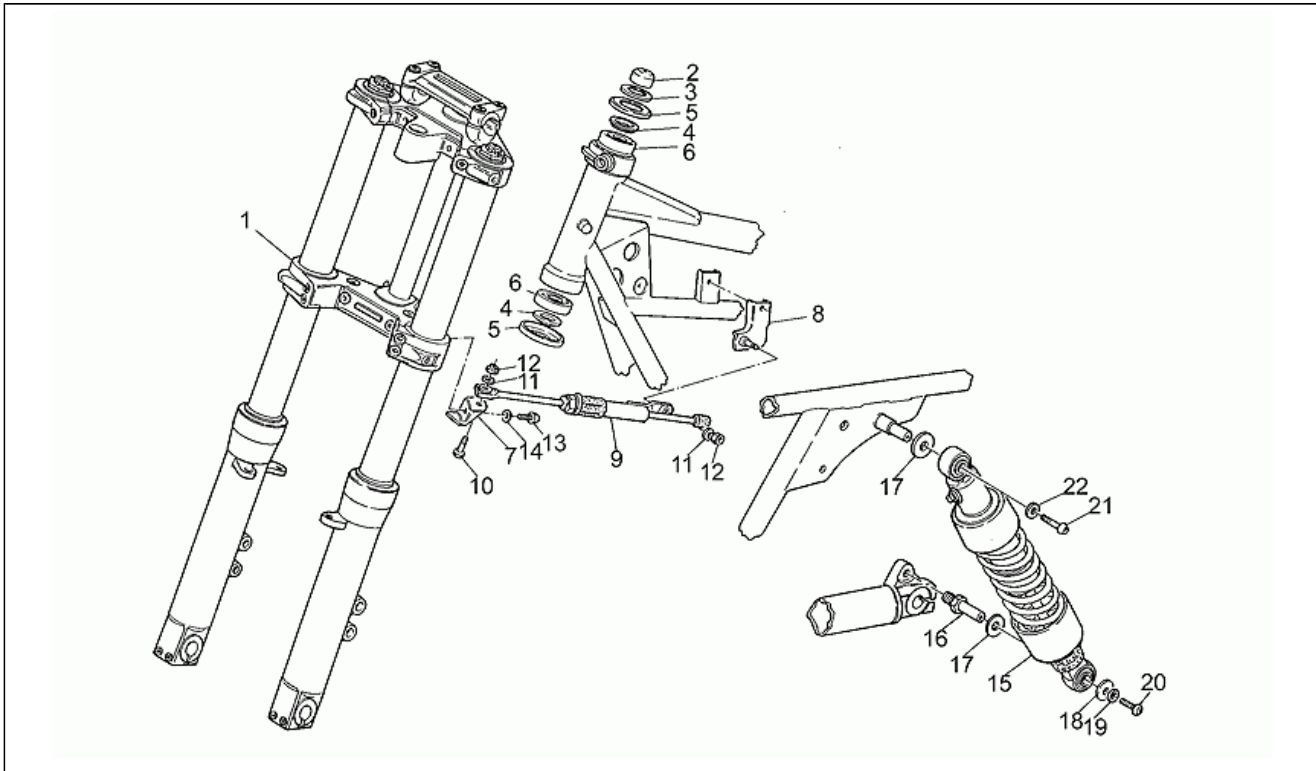
| Pos. | Code | Description | Q.ty | Variants |
|------|------------|---------------------------|------|--|
| 1 | GU03100200 | Fuel tank blank | 1 | Color:Blank[GR] |
| 1 | GU03100202 | Fuel tank, sky blue/navy | 1 | year: 1997[V], 1998[W], 1999[X] Color:Turkey Blue/Cyan[TB/LB] |
| 1 | GU03100203 | Fuel tank, red/cream | 1 | year: 1997[V], 1998[W], 1999[X] Color:Red/Cream[R/C] |
| 1 | GU03100204 | Fuel tank grey iron/black | 1 | year: 1997[V], 1998[W], 1999[X] Color:Black/Grey[B/G] |
| 1 | GU03100205 | Fuel tank blue/grey | 1 | year: 1997[V], 1998[W], 1999[X] Color:Grey-Blue/Met.Blue[GB/B] |
| 1 | GU89000346 | Fuel tank, red/white | 1 | year: 2000[Y] Color: Red/White[R/W] Technical Specifications:See spare parts comm.n.003 of 2000[00300N] |
| 1 | GU89000356 | Fuel tank grey iron/black | 1 | year: 2000[Y] Color: Black/Grey[B/G] Technical Specifications:See spare parts comm.n.003 of 2000[00300N] |
| 1 | GU89000357 | Fuel tank, sky blue/navy | 1 | year: 2000[Y] Color: Turkey Blue/Cyan[TB/LB] Technical Specifications:See spare parts comm.n.003 of 2000[00300N] |
| 2 | GU01917800 | "Moto Guzzi" RH decal | 1 | Technical Specifications:Silver/Black[S/B] |
| 3 | GU01917900 | "Moto Guzzi" LH decal | 1 | Technical Specifications:Silver/Black[S/B] |
| 4 | GU03106400 | Gasket | 1 | |
| 5 | GU03103900 | Tank cap | 1 | |
| 6 | GU03101900 | Flange | 1 | |
| 7 | GU03102400 | Gasket | 1 | |
| 8 | GU03102200 | Plug ring nut | 1 | |
| 9 | GU03101600 | Gasket | 1 | |
| 10 | GU03101701 | Reduction 22 mm | 1 | Country:Switzerland[CH] |
| 10 | GU03101720 | Reduction 38 mm | 1 | |

| | |
|--------------------|-----------|
| Assembly | FRAME |
| Code | 33.27 |
| Description | Fuel tank |
| Revision | 1 |



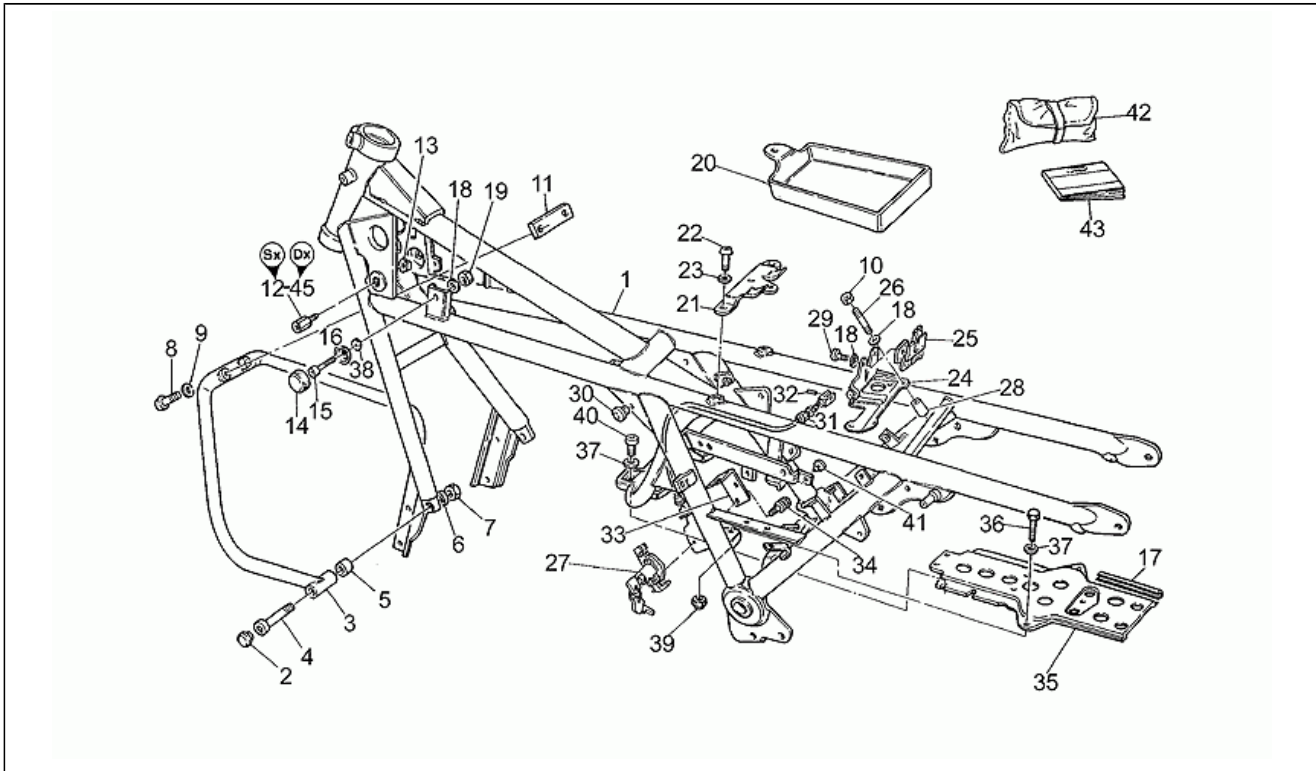
| Pos. | Code | Description | Q.ty | Variants |
|------|---------------|-------------------------|------|--|
| 11 | GU03103200 | Screw | 5 | |
| 12 | GU98230830 | Screw | 1 | |
| 13 | GU95100239 | Washer | 1 | |
| 14 | GU31103565 | Spacer | 1 | |
| 15 | GU91551131 | Rubber spacer | 1 | |
| 16 | GU92660801 | Captive nut | 1 | |
| 17 | GU03105300 | Fuel solenoid valve | 1 | |
| 18 | GU03103000 | Fuel level sensor | 1 | |
| 19 | GU03736801 | Lock hardware kit | 1 | |
| 20 | GU01735500 | Non indented key blank | 1 | |
| 21 | GU29995735 | Sticker | 1 | Country:Australia[AUS], Switzerland[CH], Great Britain[UK] |
| 22 | GU03472400 | RH front protect chrome | 1 | |
| 23 | GU03472900 | LH front protect chrome | 1 | |
| 24 | GU98230618 | Screw | 4 | |
| 25 | GU03462800 | Washer | 4 | |
| 26 | GU91180600 | Spacer 6,25x8x5 | 4 | |
| 27 | GU91551081 | Rubber spacer 8x15 | 4 | |
| 28 | GU00823931055 | Gasket | 1 | |
| 29 | GU03103500 | Ring | 1 | Technical Specifications:Second series[2A] |
| 29 | GU03103501 | Bush | 5 | Technical Specifications:First series[1A] |
| 30 | GU98230615 | Screw | 1 | |

| | |
|--------------------|---------------------------|
| Assembly | FRAME |
| Code | 33.28 |
| Description | Front/rear shock absorber |
| Revision | 1 |



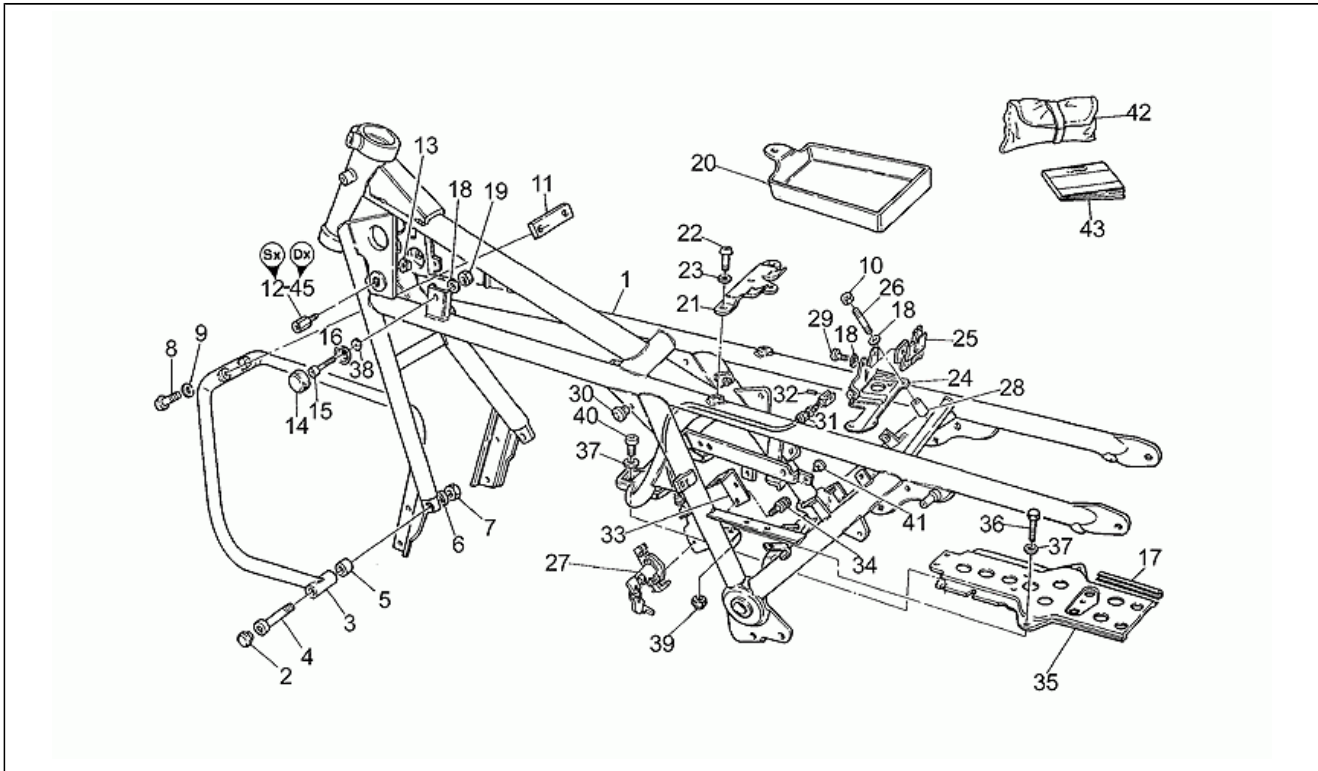
| Pos. | Code | Description | Q.ty | Variants |
|------|------------|---------------------------|------|---|
| 1 | GU03490200 | Front fork | 1 | Technical Specifications: Until frame KD115426[T1] |
| 1 | GU03490201 | Front fork | 1 | Technical Specifications: See spare parts comm.n.022 of 2000[02200N], From frame KD115427[T2] |
| 2 | GU30513400 | Plug | 1 | |
| 3 | GU30516500 | Washer | 1 | |
| 4 | GU14516700 | Clearance washer | 2 | |
| 5 | GU14517000 | Dust cover | 2 | |
| 6 | GU92249225 | Tap.roller bearing | 2 | |
| 7 | GU03531800 | Shock absorber plate | 1 | Technical Specifications: First series[1A] |
| 8 | GU03531000 | Plate | 1 | Technical Specifications: First series[1A] |
| 9 | GU17530260 | Steering shock absorber | 1 | Technical Specifications: First series[1A] |
| 10 | GU98054325 | Screw | 1 | |
| 11 | GU95000206 | Washer | 3 | |
| 12 | GU92630206 | Nut M6x1 | 2 | |
| 13 | GU98230621 | Screw M6X20 | 1 | |
| 14 | GU61013800 | Special washer | 1 | |
| 15 | GU03550200 | Shock absorber wh.power | 2 | year: 1997[V], 1998[W], 1999[X], 2000[Y] |
| 15 | GU03550230 | Shock absorber Sachs-Boge | 2 | year: 1998[W], 1999[X], 2000[Y] Technical Specifications: See spare parts comm.n.017 of 1998[01798N] |
| 16 | GU03541800 | Pin | 1 | year: 1997[V], 1998[W], 1999[X], 2000[Y] |
| 17 | GU95100431 | Washer | 4 | |
| 18 | GU95100239 | Washer | 2 | |
| 19 | GU95004208 | Washer | 2 | |
| 20 | GU03556600 | Screw M7X15 | 2 | |
| 21 | GU03556620 | Top screw | 2 | |
| 22 | GU61270300 | Spring washer 8x15x0,3 | 4 | |

| | |
|--------------------|-------|
| Assembly | FRAME |
| Code | 33.29 |
| Description | Frame |
| Revision | 1 |



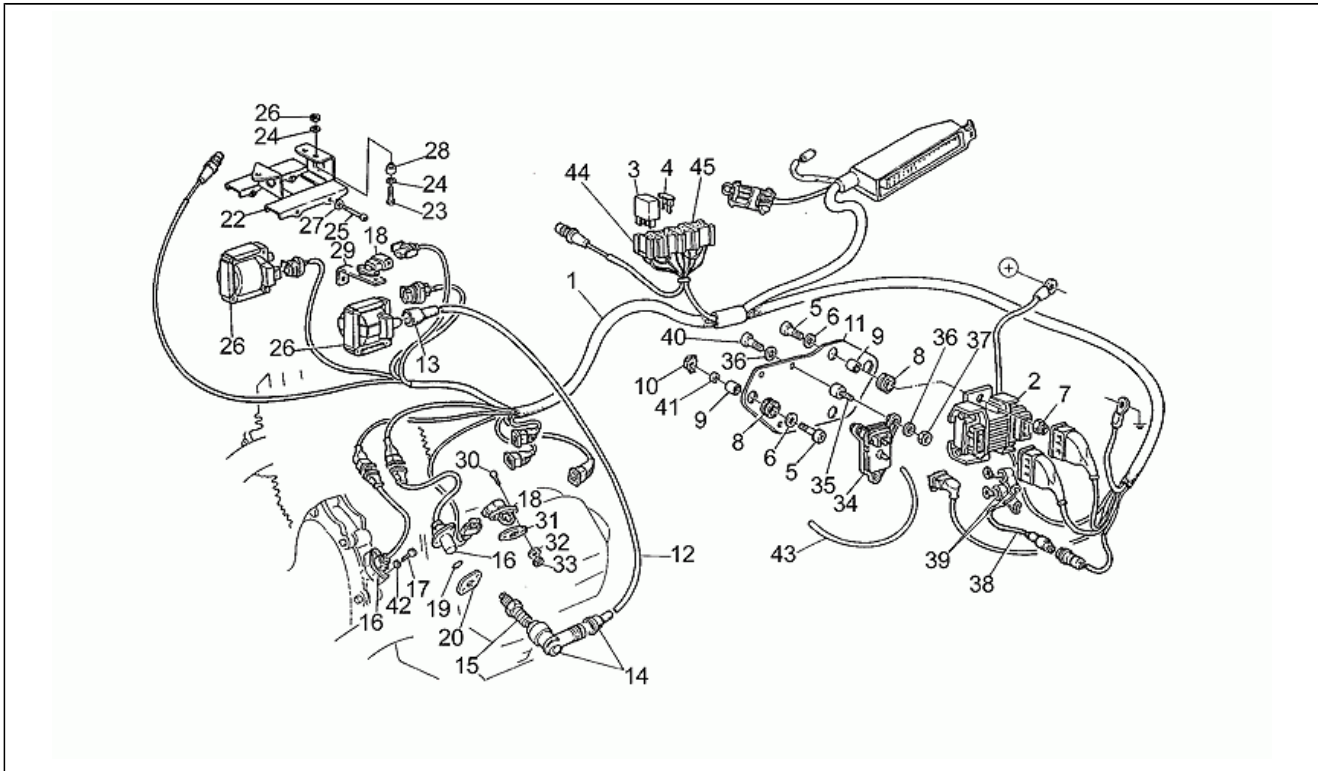
| Pos. | Code | Description | Q.ty | Variants |
|------|---------------|------------------------|------|---|
| 1 | GU03400102 | Frame | 1 | year:1997[V], 1998[W], 1999[X], 2000[Y] |
| 2 | GU93180216 | Rubber spacer | 2 | |
| 3 | GU30450260 | Front protection | 1 | |
| 4 | GU98621650 | Screw M12X50 | 2 | |
| 5 | GU91181210 | Spacer | 2 | |
| 6 | GU95021112 | Notched washer | 2 | |
| 7 | GU92602312 | Nut | 2 | |
| 8 | GU98230845 | Screw | 2 | |
| 9 | GU61270300 | Spring washer 8x15x0,3 | 2 | |
| 10 | GU92602206 | Nut | 2 | |
| 11 | GU17451750 | Plate | 1 | |
| 12 | GU03469200 | Stud bolt | 2 | |
| 13 | GU92660601 | Captive nut | 2 | |
| 14 | GU39103400 | Drift | 2 | |
| 15 | GU98822316 | Screw | 2 | |
| 16 | GU39103500 | Disc | 2 | |
| 17 | GU00823931080 | Gasket PVC | 1 | |
| 18 | GU61013800 | Special washer | 6 | |
| 19 | GU92602206 | Nut | 2 | |
| 20 | GU30479560 | Flange | 1 | year:1997[V], 1998[W], 1999[X], 2000[Y] |
| 21 | GU30461360 | Plate | 1 | |
| 22 | GU98230816 | Screw | 2 | |
| 23 | GU14615901 | Washer 8,4X13X0,8 | 2 | |
| 24 | GU30462360 | Plate | 1 | |
| 25 | GU30462060 | Saddle lock | 1 | |
| 26 | GU96506051 | Stud bolt | 2 | |
| 27 | GU30466860 | Saddle lock | 1 | |
| 28 | GU91180725 | Spacer | 2 | |

| | |
|--------------------|-------|
| Assembly | FRAME |
| Code | 33.29 |
| Description | Frame |
| Revision | 1 |



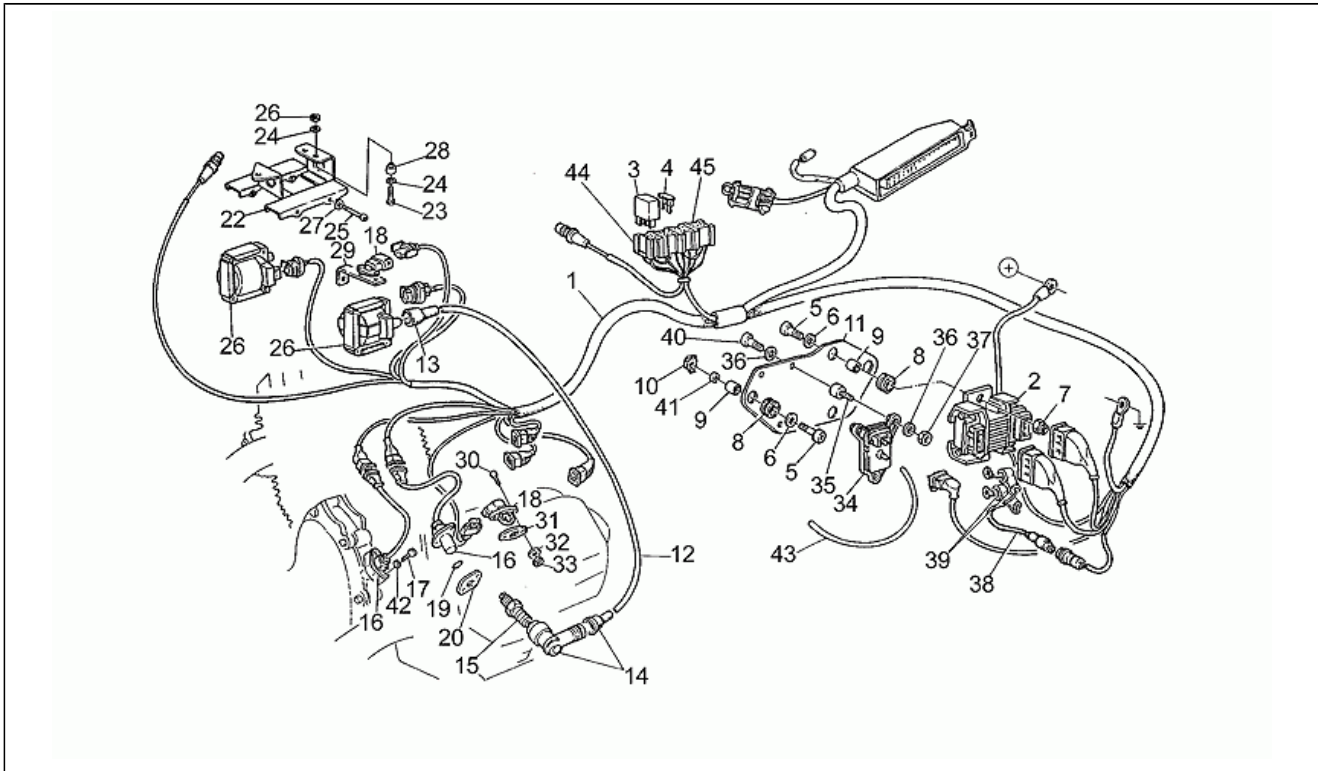
| Pos. | Code | Description | Q.ty | Variants |
|------|------------|----------------------|------|--|
| 29 | GU98054312 | Screw | 2 | |
| 30 | GU93180080 | Plug | 2 | |
| 31 | GU30462160 | Saddle release cable | 1 | |
| 32 | GU95522508 | Pin | 1 | |
| 33 | GU30463260 | Clamp | 1 | |
| 34 | GU66468115 | Shear rivet | 2 | |
| 35 | GU29418360 | Plate | 1 | |
| 36 | GU98054416 | Hex screw M8X16 | 3 | |
| 37 | GU95004208 | Washer | 7 | |
| 38 | GU95000206 | Washer | 1 | |
| 39 | GU92630508 | Nut | 3 | |
| 40 | GU98622420 | Screw | 4 | |
| 41 | GU19705900 | Drift | 3 | |
| 42 | GU03909900 | Toolkit | 1 | Technical Specifications: See spare parts comm.n.022 of 2000[02200N], From frame KD115427[T2] |
| 42 | GU30909961 | Toolkit | 1 | Technical Specifications: Until frame KD115426[T1] |
| 43 | GU03900000 | Operator's handbook | 1 | Country: Germany[D], France[F], Italy[I], Great Britain[UK] |
| 43 | GU03900020 | Operator's handbook | 1 | Country: United States of America[USA] |
| 45 | GU03469201 | Stud bolt | 1 | |

| | |
|--------------------|---------------|
| Assembly | FRAME |
| Code | 33.30 |
| Description | Ignition unit |
| Revision | 1 |



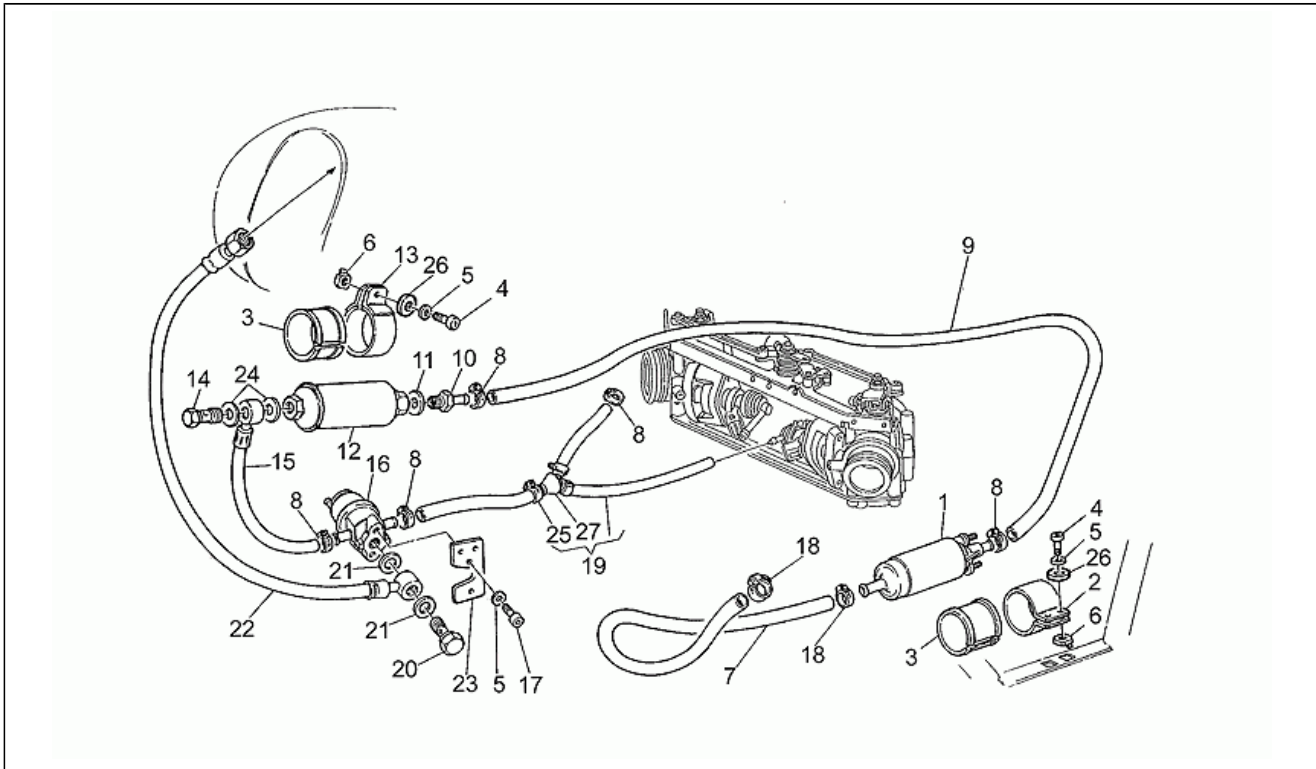
| Pos. | Code | Description | Q.ty | Variants |
|------|------------|--------------------------|------|----------|
| 1 | GU03725800 | Injection wiring | 1 | |
| 2 | GU29724460 | Power modules | 1 | |
| 3 | GU30732560 | Relay Siemens A302/B1008 | 2 | |
| 4 | GU28742560 | Fuse 15A | 2 | |
| 5 | GU98622320 | Screw | 4 | |
| 6 | GU95100118 | Washer 6,2X18X1 | 4 | |
| 7 | GU92630206 | Nut M6x1 | 2 | |
| 8 | GU91551080 | Rubber spacer | 4 | |
| 9 | GU91180607 | Spacer | 4 | |
| 10 | GU92660601 | Captive nut | 2 | |
| 11 | GU30402770 | Plate | 1 | |
| 12 | GU17718350 | HT cable | 2 | |
| 13 | GU14717600 | Cap | 2 | |
| 14 | GU30717410 | Sparkplug cap NGK | 2 | |
| 15 | GU30717061 | Spark plug NGK BPR6ES | 2 | |
| 16 | GU29721660 | Timing and rev sensor | 2 | |
| 17 | GU98622210 | Hex socket screw M5X10 | 4 | |
| 18 | GU30729331 | Air temp. Sensor | 2 | |
| 19 | GU90706141 | O-ring | 2 | |
| 20 | GU29722760 | Gasket 0,5 mm | 2 | |
| 21 | GU30716500 | HT coil | 2 | |
| 22 | GU28716748 | Coil holder | 1 | |
| 23 | GU98622310 | Screw | 3 | |
| 24 | GU61013800 | Special washer | 3 | |
| 25 | GU98622125 | Hex socket screw M4X25 | 4 | |
| 26 | GU92602206 | Nut | 3 | |
| 27 | GU95021104 | Washer 4,3x8x1,5 | 4 | |
| 28 | GU93222020 | Silent-block | 3 | |

| | |
|--------------------|---------------|
| Assembly | FRAME |
| Code | 33.30 |
| Description | Ignition unit |
| Revision | 1 |



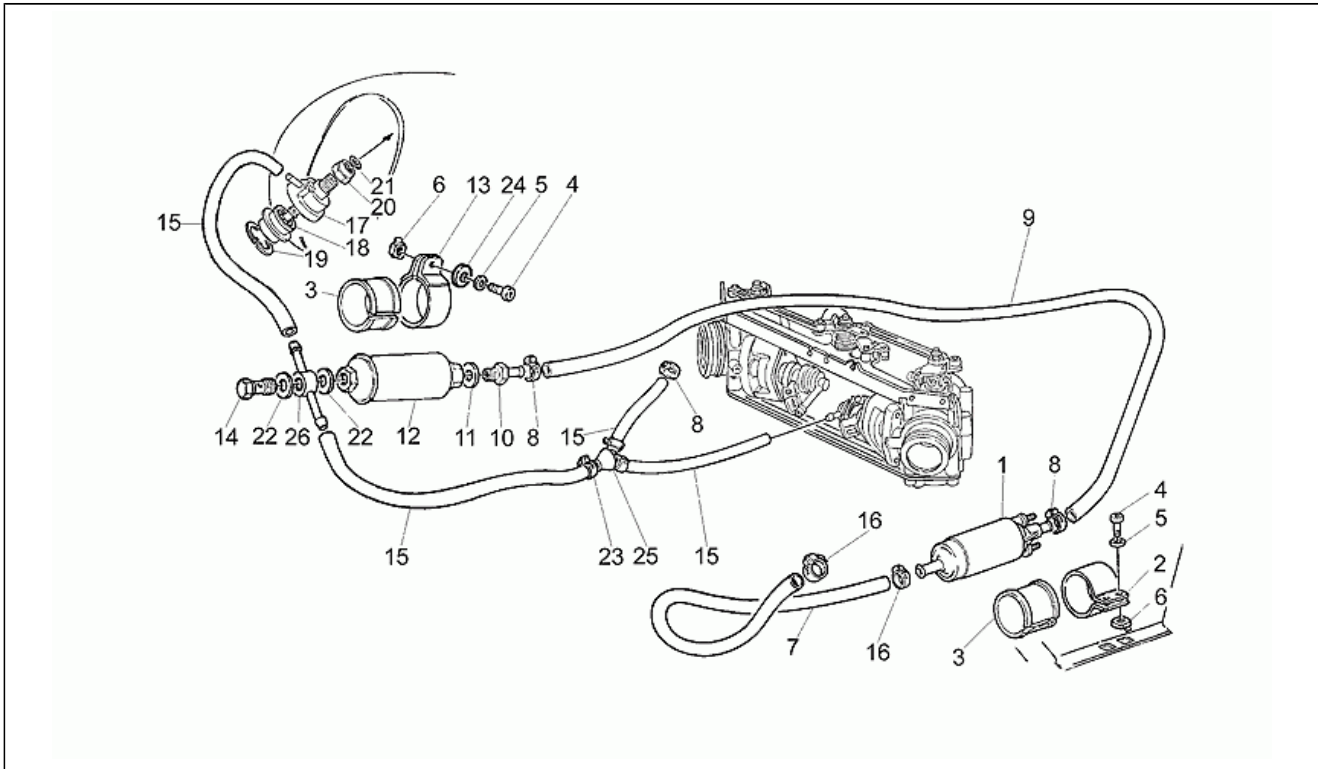
| Pos. | Code | Description | Q.ty | Variants |
|------|---------------|------------------|------|----------|
| 29 | GU30728230 | Sensor support | 1 | |
| 30 | GU98610110 | Screw | 4 | |
| 31 | GU30027931 | Gasket | 2 | |
| 32 | GU95120032 | Washer | 4 | |
| 33 | GU92601003 | Nut | 2 | |
| 34 | GU29727061 | Pressure sensor | 1 | |
| 35 | GU93221315 | Block | 3 | |
| 36 | GU95021104 | Washer 4,3x8x1,5 | 6 | |
| 37 | GU92602204 | Nut | 3 | |
| 38 | GU03738500 | Fuel pump wiring | 1 | |
| 39 | GU30759600 | Cap | 2 | |
| 40 | GU98622116 | Screw | 3 | |
| 41 | GU91180605 | Spacer | 2 | |
| 42 | GU95004205 | Washer | 4 | |
| 43 | GU00823944050 | Pipe 5X9 | 1 | |
| 44 | GU30732400 | Relais support | 2 | |
| 45 | GU30732200 | Fuse holder box | 2 | |

| | |
|--------------------|----------|
| Assembly | FRAME |
| Code | 33.34 |
| Description | Supply I |
| Revision | 1 |



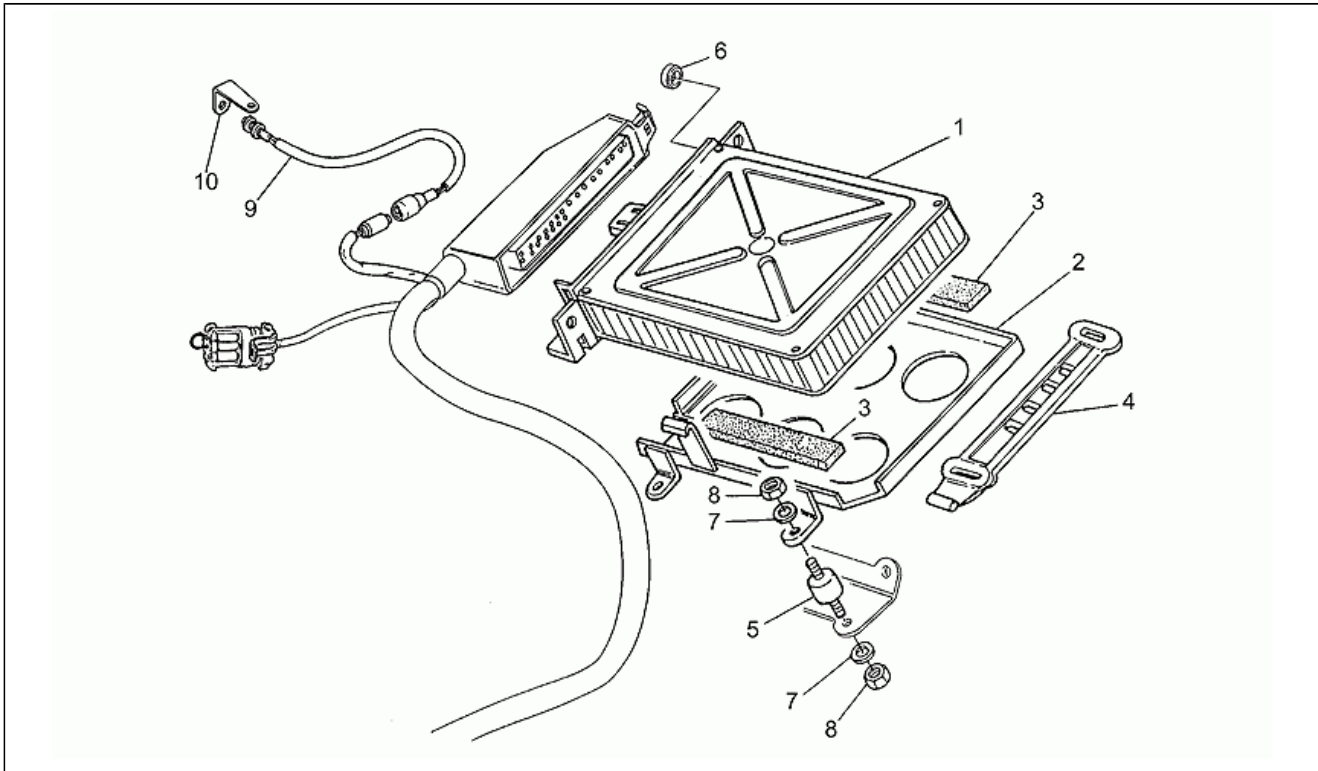
| Pos. | Code | Description | Q.ty | Variants |
|------|------------|---------------------------|------|----------|
| 1 | GU29107261 | Fuel pump | 1 | |
| 2 | GU29107360 | Hose clamp | 1 | |
| 3 | GU29105860 | Rubber protection | 2 | |
| 4 | GU98622318 | Hex socket screw M6X18 | 3 | |
| 5 | GU61013800 | Special washer | 5 | |
| 6 | GU92660601 | Captive nut | 3 | |
| 7 | GU03106500 | Pipe | 1 | |
| 8 | GU93305017 | Hose clamp | 6 | |
| 9 | GU30106170 | Pipe from p"ump to filter | 1 | |
| 10 | GU30106800 | Union | 1 | |
| 11 | GU18161150 | Gasket 14,25 | 1 | |
| 12 | GU29106061 | Fuel filter M14xM12 | 1 | |
| 13 | GU29113860 | Hose clamp | 1 | |
| 14 | GU29109161 | Special screw M12 | 1 | |
| 15 | GU30108270 | Fuel pipe | 1 | |
| 16 | GU29112760 | Fuel pressure regulator | 1 | |
| 17 | GU98622312 | Screw | 2 | |
| 18 | GU12157900 | Hose clamp | 2 | |
| 19 | GU30108070 | Fuel pipe | 1 | |
| 20 | GU29107960 | Bored screw | 1 | |
| 21 | GU12154200 | Gasket 8,25x15x1 | 2 | |
| 22 | GU30108770 | Fuel pipe | 1 | |
| 23 | GU30401061 | Plate | 1 | |
| 24 | GU12006400 | Gasket 12,25 | 2 | |
| 25 | GU28157950 | Hose clip 12,5x8 | 3 | |
| 26 | GU95100141 | Washer 6,4x12x1,2 | 3 | |
| 27 | GU29106860 | 3-way union | 1 | |

| | |
|--------------------|-----------|
| Assembly | FRAME |
| Code | 33.35 |
| Description | Supply II |
| Revision | 1 |



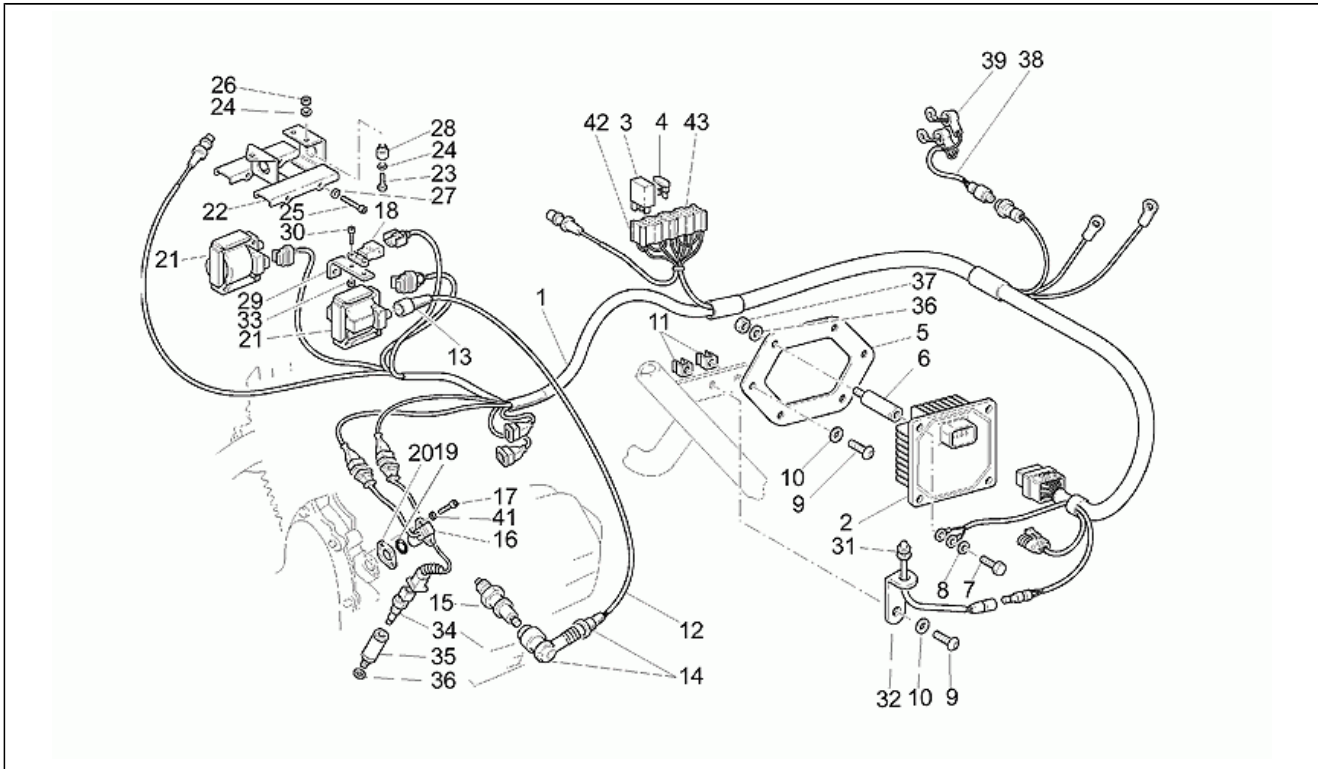
| Pos. | Code | Description | Q.ty | Variants |
|------|---------------|---------------------------|------|----------|
| 1 | GU29107261 | Fuel pump | 1 | |
| 2 | GU29107360 | Hose clamp | 1 | |
| 3 | GU29105860 | Rubber protection | 2 | |
| 4 | GU92622318 | Screw | 3 | |
| 5 | GU61013800 | Special washer | 3 | |
| 6 | GU92660601 | Captive nut | 3 | |
| 7 | GU03106500 | Pipe | 1 | |
| 8 | GU93305017 | Hose clamp | 10 | |
| 9 | GU30106170 | Pipe from p"ump to filter | 1 | |
| 10 | GU30106800 | Union | 1 | |
| 11 | GU18161150 | Gasket 14,25 | 1 | |
| 12 | GU29106061 | Fuel filter M14xM12 | 1 | |
| 13 | GU29113860 | Hose clamp | 1 | |
| 14 | GU29109161 | Special screw M12 | 1 | |
| 15 | GU00823952080 | Fuel pipe SAEJ30R9 | 1 | |
| 16 | GU12157900 | Hose clamp | 2 | |
| 17 | GU01112900 | Voltage regulator support | 1 | |
| 18 | GU01112800 | Fuel pressure regulator | 1 | |
| 19 | GU90272037 | Circlip | 1 | |
| 20 | GU30105200 | Ring nut | 1 | |
| 21 | GU90714103 | Gasket | 1 | |
| 22 | GU12006400 | Gasket 12,25 | 2 | |
| 23 | GU28157950 | Hose clip 12,5x8 | 3 | |
| 24 | GU95100141 | Washer 6,4x12x1,2 | 1 | |
| 25 | GU29106860 | 3-way union | 1 | |
| 26 | GU03107630 | 2-way union | 1 | |

| | |
|--------------------|-----------------|
| Assembly | FRAME |
| Code | 33.39 |
| Description | CDI unit assy I |
| Revision | 1 |



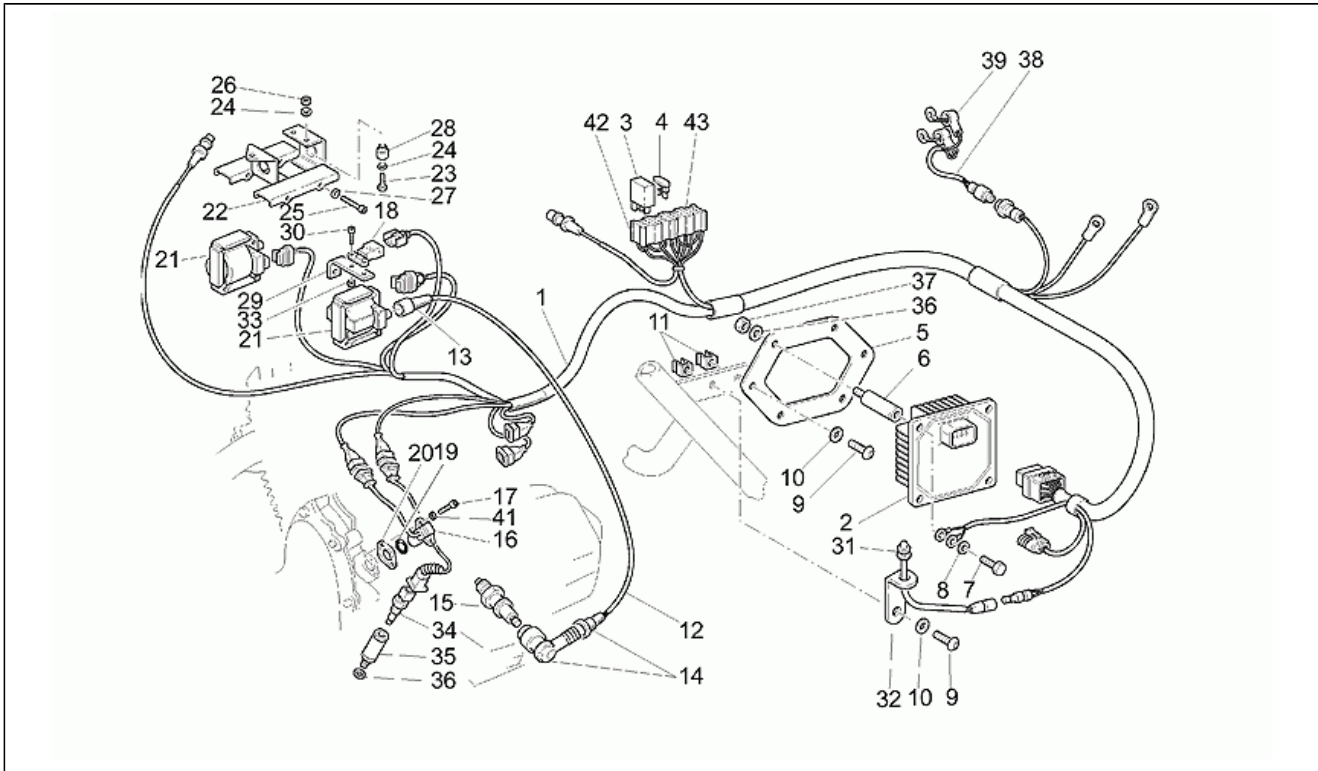
| Pos. | Code | Description | Q.ty | Variants |
|------|------------|-------------------|------|---|
| 1 | GU30729570 | CDI unit assy | 1 | Technical Specifications: Until frame KD115749[T3] |
| 2 | GU29729260 | ECU prot.box | 1 | |
| 3 | GU30728970 | Adhesive gasket | 2 | |
| 4 | GU29728960 | Fixing snap | 1 | |
| 5 | GU29737960 | Block | 3 | |
| 6 | GU29729762 | Tamper-proof plug | 1 | |
| 7 | GU95100121 | Washer 5,3x10x0,5 | 6 | |
| 8 | GU92602206 | Nut | 6 | |
| 9 | GU03727800 | Led | 1 | |
| 10 | GU30732900 | Support plate | 1 | |

| | |
|--------------------|------------------|
| Assembly | FRAME |
| Code | 33.40 |
| Description | CDI unit assy II |
| Revision | 1 |



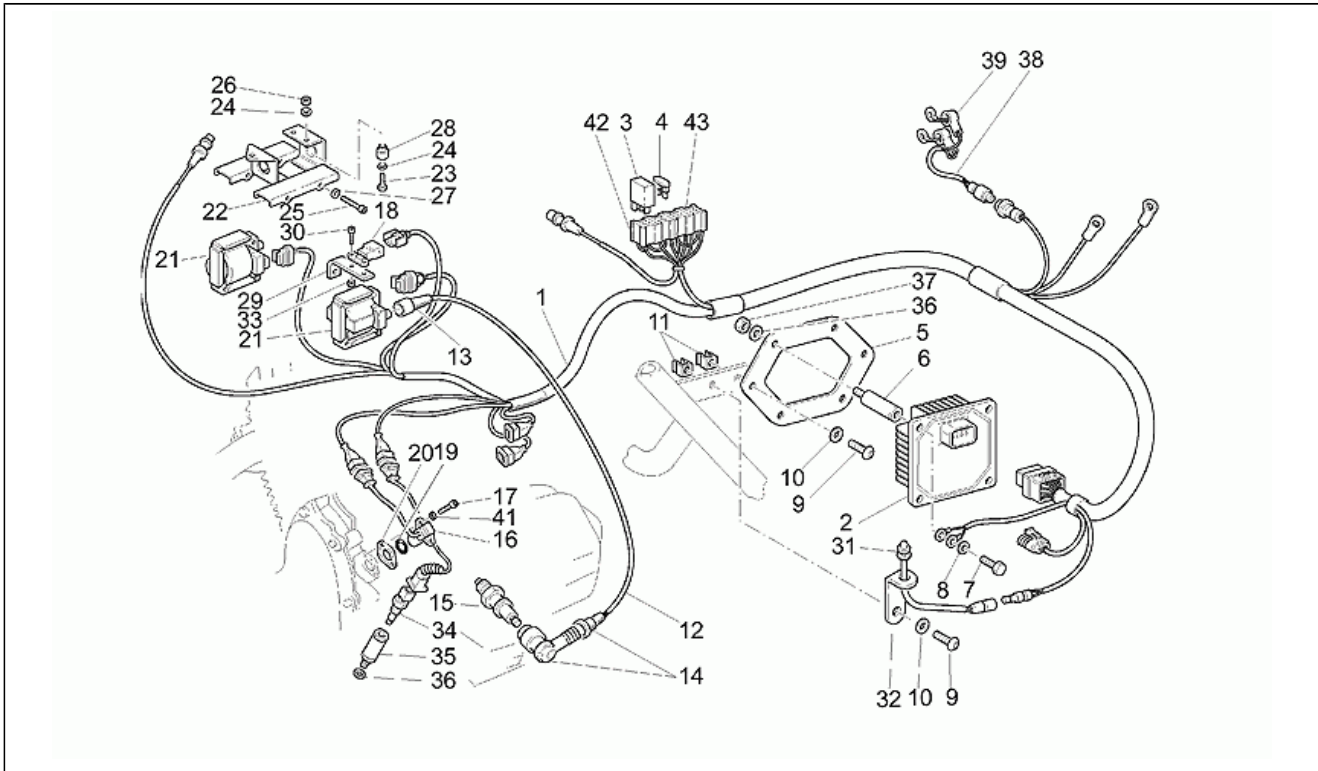
| Pos. | Code | Description | Q.ty | Variants |
|------|------------|--------------------------|------|---|
| 1 | GU03725830 | Injection wiring | 1 | Technical Specifications: See spare parts comm.n.033 of 2000[03300N], From frame KD115750[T4] |
| 2 | GU03729531 | CDI unit assy | 1 | Technical Specifications: See spare parts comm.n.033 of 2000[03300N], From frame KD115750[T4] |
| 3 | GU30732560 | Relay Siemens A302/B1008 | 2 | Technical Specifications: See spare parts comm.n.033 of 2000[03300N], From frame KD115750[T4] |
| 4 | GU28742560 | Fuse 15A | 2 | Technical Specifications: See spare parts comm.n.033 of 2000[03300N], From frame KD115750[T4] |
| 5 | GU03729230 | Plate | 1 | Technical Specifications: See spare parts comm.n.033 of 2000[03300N], From frame KD115750[T4] |
| 6 | GU93221330 | Block | 4 | Technical Specifications: See spare parts comm.n.033 of 2000[03300N], From frame KD115750[T4] |
| 7 | GU98054110 | Screw | 4 | Technical Specifications: See spare parts comm.n.033 of 2000[03300N], From frame KD115750[T4] |
| 8 | GU95000204 | Washer | 4 | Technical Specifications: See spare parts comm.n.033 of 2000[03300N], From frame KD115750[T4] |
| 9 | GU98230612 | Screw | 3 | Technical Specifications: See spare parts comm.n.033 of 2000[03300N], From frame KD115750[T4] |
| 10 | GU61013800 | Special washer | 3 | Technical Specifications: See spare parts comm.n.033 of 2000[03300N], From frame KD115750[T4] |
| 11 | GU92660601 | Captive nut | 3 | Technical Specifications: See spare parts comm.n.033 of 2000[03300N], From frame KD115750[T4] |
| 12 | GU17718350 | HT cable | 2 | Technical Specifications: See spare parts comm.n.033 of 2000[03300N], From frame KD115750[T4] |
| 13 | GU14717600 | Cap | 2 | Technical Specifications: See spare parts comm.n.033 of 2000[03300N], From frame KD115750[T4] |
| 14 | GU30717410 | Sparkplug cap NGK | 2 | year: 1997[V], 1998[W], 1999[X], 2000[Y] Technical Specifications: See spare parts comm.n.033 of 2000[03300N], From frame KD115750[T4] |
| 15 | GU30717061 | Spark plug NGK BPR6ES | 2 | Technical Specifications: See spare parts comm.n.033 of 2000[03300N], From frame KD115750[T4] |

| | |
|--------------------|------------------|
| Assembly | FRAME |
| Code | 33.40 |
| Description | CDI unit assy II |
| Revision | 1 |



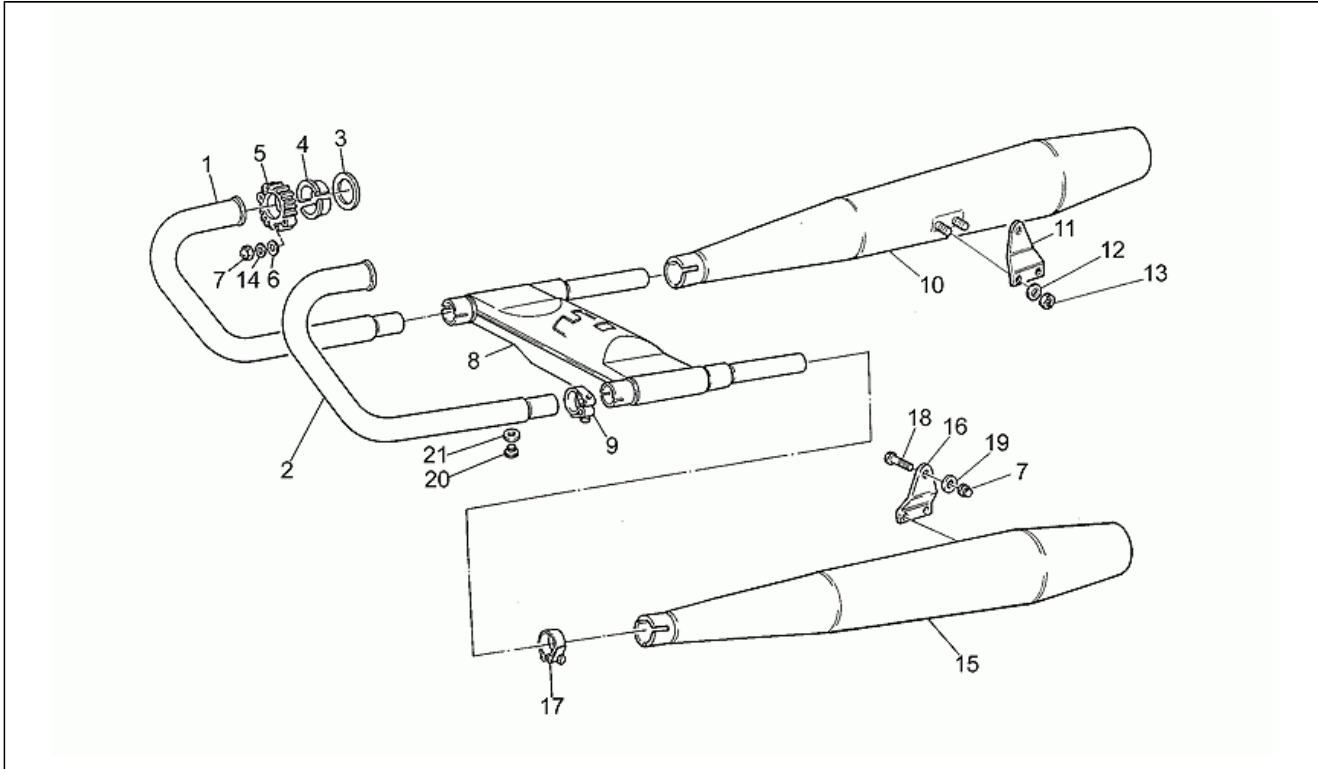
| Pos. | Code | Description | Q.ty | Variants |
|------|------------|-------------------------|------|--|
| 16 | GU01721600 | Phase/revolution sensor | 1 | Technical Specifications: See spare parts comm.n.033 of 2000[03300N], From frame KD115750[T4] |
| 17 | GU98622210 | Hex socket screw M5X10 | 2 | Technical Specifications: See spare parts comm.n.033 of 2000[03300N], From frame KD115750[T4] |
| 18 | GU30729331 | Air temp. Sensor | 1 | Technical Specifications: See spare parts comm.n.033 of 2000[03300N], From frame KD115750[T4] |
| 19 | GU90706141 | O-ring | 1 | Technical Specifications: See spare parts comm.n.033 of 2000[03300N], From frame KD115750[T4] |
| 20 | GU29722760 | Gasket 0,5 mm | 1 | Technical Specifications: See spare parts comm.n.033 of 2000[03300N], From frame KD115750[T4] |
| 21 | GU30716500 | HT coil | 2 | Technical Specifications: See spare parts comm.n.033 of 2000[03300N], From frame KD115750[T4] |
| 22 | GU28716748 | Coil holder | 1 | Technical Specifications: See spare parts comm.n.033 of 2000[03300N], From frame KD115750[T4] |
| 23 | GU98622310 | Screw | 3 | Technical Specifications: See spare parts comm.n.033 of 2000[03300N], From frame KD115750[T4] |
| 24 | GU61013800 | Special washer | 3 | Technical Specifications: See spare parts comm.n.033 of 2000[03300N], From frame KD115750[T4] |
| 25 | GU98622125 | Hex socket screw M4X25 | 4 | Technical Specifications: See spare parts comm.n.033 of 2000[03300N], From frame KD115750[T4] |
| 26 | GU92602206 | Nut | 3 | Technical Specifications: See spare parts comm.n.033 of 2000[03300N], From frame KD115750[T4] |
| 27 | GU95021104 | Washer 4,3x8x1,5 | 4 | Technical Specifications: See spare parts comm.n.033 of 2000[03300N], From frame KD115750[T4] |
| 28 | GU93222020 | Silent-block | 3 | Technical Specifications: See spare parts comm.n.033 of 2000[03300N], From frame KD115750[T4] |
| 29 | GU30728230 | Sensor support | 1 | Technical Specifications: See spare parts comm.n.033 of 2000[03300N], From frame KD115750[T4] |
| 30 | GU98610110 | Screw | 2 | Technical Specifications: See spare parts comm.n.033 of 2000[03300N], From frame KD115750[T4] |
| 31 | GU03727800 | Led | 1 | Technical Specifications: See spare parts comm.n.033 of 2000[03300N], From frame KD115750[T4] |

| | |
|--------------------|------------------|
| Assembly | FRAME |
| Code | 33.40 |
| Description | CDI unit assy II |
| Revision | 1 |



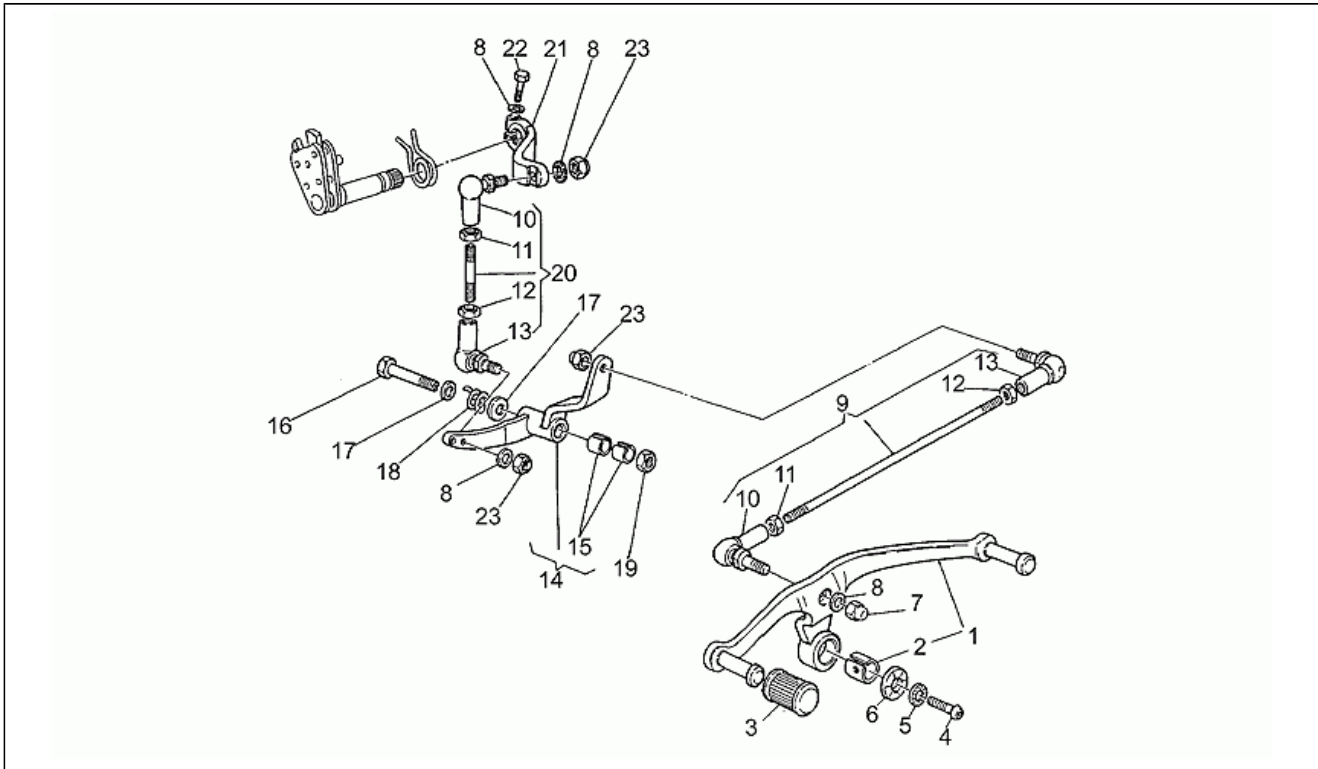
| Pos. | Code | Description | Q.ty | Variants |
|------|------------|------------------------|------|--|
| 32 | GU30732900 | Support plate | 1 | Technical Specifications: See spare parts comm.n.033 of 2000[03300N], From frame KD115750[T4] |
| 33 | GU92601003 | Nut | 2 | Technical Specifications: See spare parts comm.n.033 of 2000[03300N], From frame KD115750[T4] |
| 34 | GU29729461 | Oil temperature sensor | 1 | Technical Specifications: See spare parts comm.n.033 of 2000[03300N], From frame KD115750[T4] |
| 35 | GU03163330 | Sensor support | 1 | Technical Specifications: See spare parts comm.n.033 of 2000[03300N], From frame KD115750[T4] |
| 36 | GU95021104 | Washer 4,3x8x1,5 | 4 | Technical Specifications: See spare parts comm.n.033 of 2000[03300N], From frame KD115750[T4] |
| 37 | GU92602204 | Nut | 4 | Technical Specifications: See spare parts comm.n.033 of 2000[03300N], From frame KD115750[T4] |
| 38 | GU03738500 | Fuel pump wiring | 1 | Technical Specifications: See spare parts comm.n.033 of 2000[03300N], From frame KD115750[T4] |
| 39 | GU30759600 | Cap | 2 | Technical Specifications: See spare parts comm.n.033 of 2000[03300N], From frame KD115750[T4] |
| 41 | GU95004205 | Washer | 2 | Technical Specifications: See spare parts comm.n.033 of 2000[03300N], From frame KD115750[T4] |
| 42 | GU30732400 | Relais support | 2 | Technical Specifications: See spare parts comm.n.033 of 2000[03300N], From frame KD115750[T4] |
| 43 | GU30732200 | Fuse holder box | 2 | Technical Specifications: See spare parts comm.n.033 of 2000[03300N], From frame KD115750[T4] |

| | |
|--------------------|--------------|
| Assembly | FRAME |
| Code | 33.48 |
| Description | Exhaust unit |
| Revision | 1 |



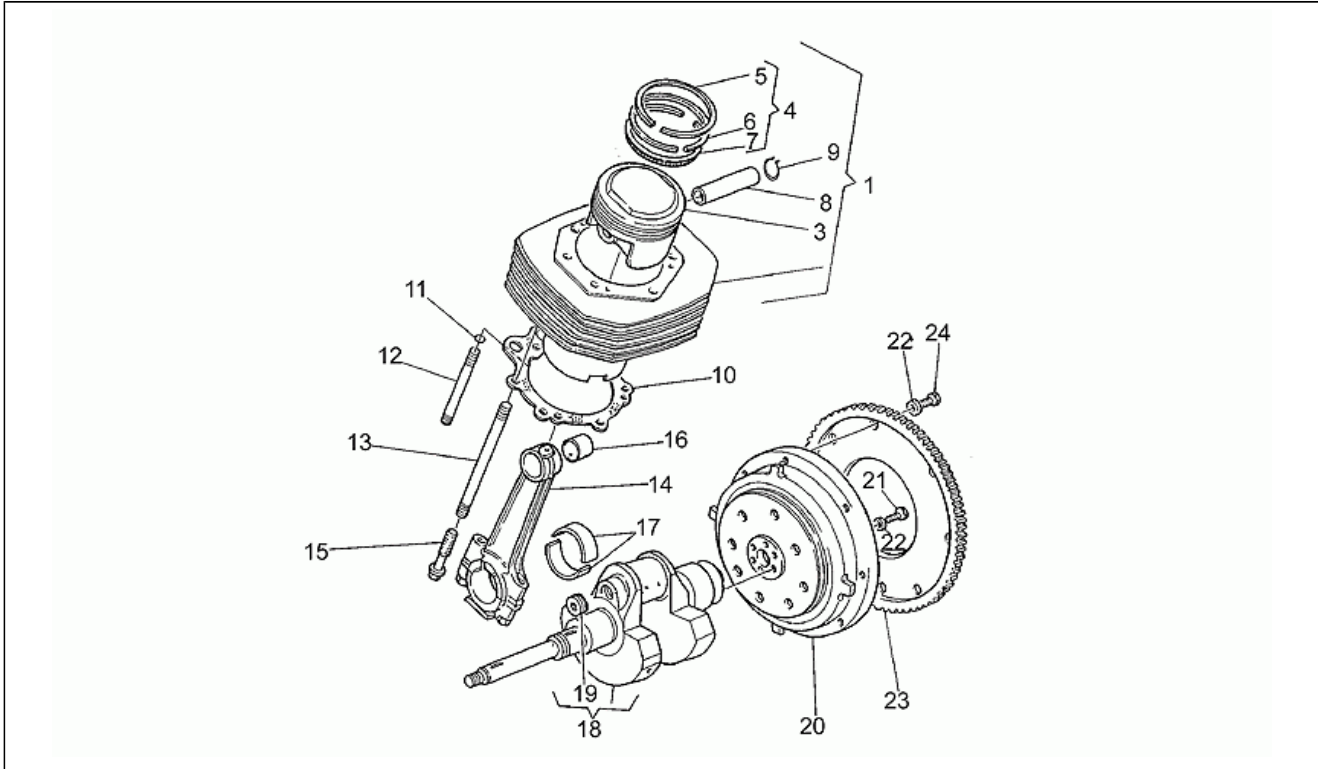
| Pos. | Code | Description | Q.ty | Variants |
|------|------------|------------------------|------|----------|
| 18 | GU98230835 | Screw M8x35 | 2 | |
| 19 | GU61270300 | Spring washer 8x15x0,3 | 2 | |
| 20 | GU98110007 | Plug | 2 | |
| 21 | GU30109330 | Gasket | 2 | |

| | |
|--------------------|------------|
| Assembly | FRAME |
| Code | 33.50 |
| Description | Gear lever |
| Revision | 1 |



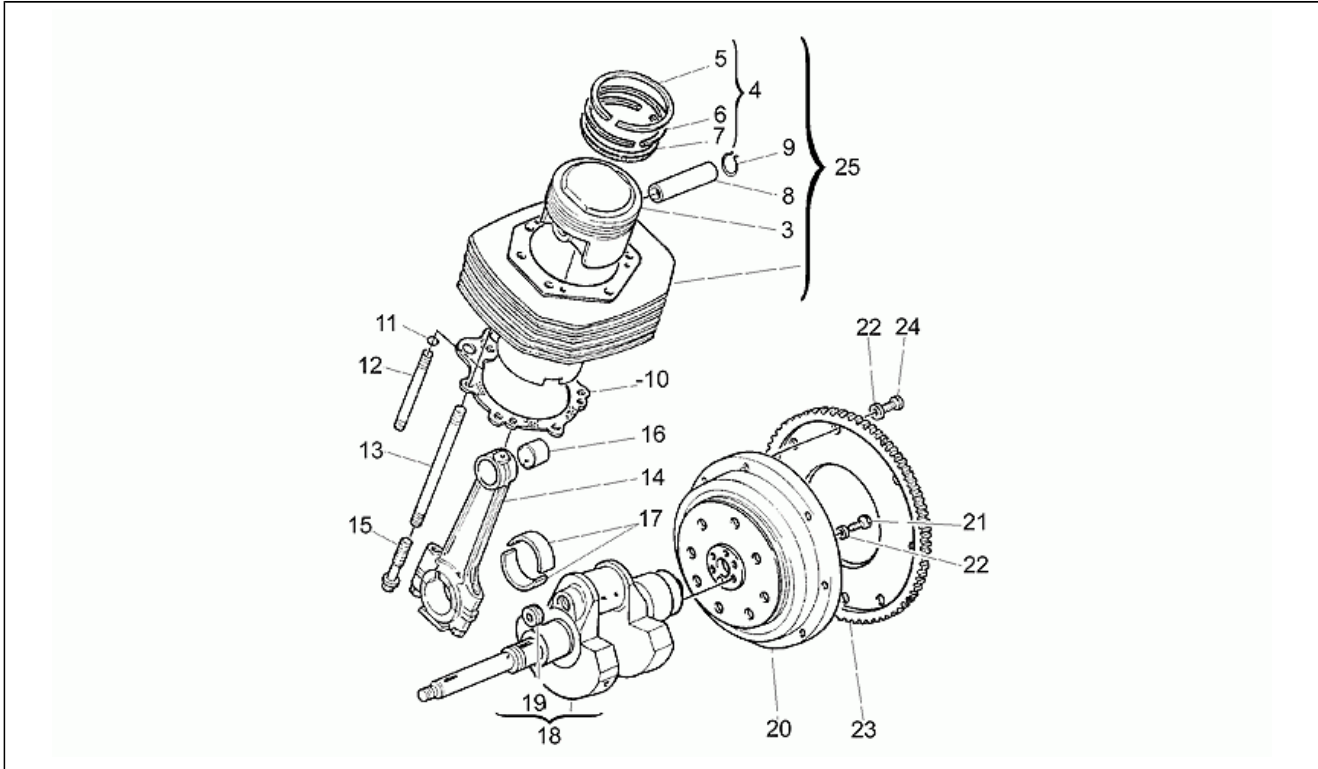
| Pos. | Code | Description | Q.ty | Variants |
|------|------------|----------------------------|------|----------|
| 1 | GU30250860 | Complete gearchange lever | 1 | |
| 2 | GU30678160 | Bush | 1 | |
| 3 | GU13432640 | Rubber pedal | 2 | |
| 4 | GU98230816 | Screw | 1 | |
| 5 | GU61270300 | Spring washer 8x15x0,3 | 1 | |
| 6 | GU18259151 | Washer | 1 | |
| 7 | GU92781062 | Nut | 1 | |
| 8 | GU61013800 | Special washer | 5 | |
| 9 | GU30257660 | Change gear tie rod compl. | 1 | |
| 10 | GU30258160 | Ball joint | 2 | |
| 11 | GU30256860 | Nut | 2 | |
| 12 | GU92602206 | Nut | 2 | |
| 13 | GU18258101 | Ball joint | 2 | |
| 14 | GU30256960 | Lever | 1 | |
| 15 | GU30252060 | Bush | 2 | |
| 16 | GU30252360 | Screw | 1 | |
| 17 | GU95100409 | Washer | 2 | |
| 18 | GU94322185 | Spring | 1 | |
| 19 | GU92602512 | Low nut M12x1,25 | 1 | |
| 20 | GU30257860 | Gearbox linkage rod | 1 | |
| 21 | GU18258201 | Lever | 1 | |
| 22 | GU98052325 | Screw | 1 | |
| 23 | GU92630106 | Nut M6x1 | 3 | |

| | |
|--------------------|--------------|
| Assembly | ENGINE |
| Code | 34.31 |
| Description | Crankshaft I |
| Revision | 1 |



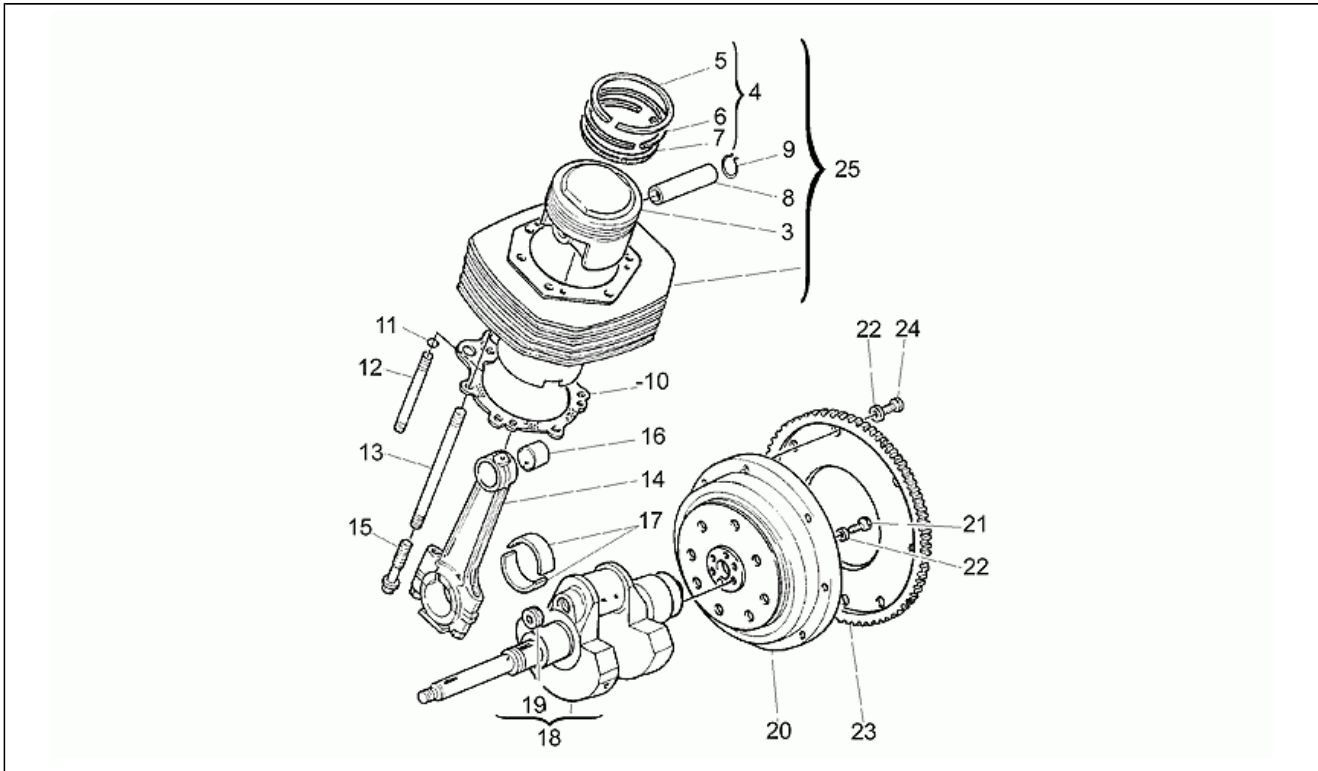
| Pos. | Code | Description | Q.ty | Variants |
|------|------------|-----------------------------|------|----------|
| 1 | GU03060130 | Cylinder with piston | 2 | |
| 4 | GU30060660 | Pistonring set | 2 | |
| 5 | GU30060760 | Piston ring | 2 | |
| 6 | GU30060960 | Piston ring | 2 | |
| 7 | GU30061060 | Piston ring | 2 | |
| 8 | GU30061241 | Piston pin | 2 | |
| 9 | GU90351038 | Stop ring | 4 | |
| 10 | GU14020865 | Gasket | 2 | |
| 11 | GU90706094 | O-ring 9x2 | 4 | |
| 12 | GU12021800 | Stud bolt | 4 | |
| 13 | GU12021700 | Stud bolt | 8 | |
| 14 | GU37061506 | Connecting rod | 2 | |
| 15 | GU37062206 | Connecting rod screw | 4 | |
| 16 | GU91112128 | Bush | 2 | |
| 17 | GU37062005 | Bearing half-shell | 4 | |
| 17 | GU37062006 | Bearing half-shell 0,254 mm | 4 | |
| 17 | GU37062007 | Bearing half-shell 0,508 mm | 4 | |
| 17 | GU37062008 | Bearing half-shell 0,762 mm | 4 | |
| 18 | GU30064161 | Drive shaft | 1 | |
| 19 | GU37065405 | Plug | 1 | |
| 20 | GU29067060 | Flywheel cpl. | 1 | |
| 21 | GU12067701 | Screw M8X25 | 6 | |
| 22 | GU14615901 | Washer 8,4X13X0,8 | 14 | |
| 23 | GU17067900 | Chain ring | 1 | |
| 24 | GU98054420 | Hex screw M8X20 | 8 | |

| | |
|--------------------|---------------|
| Assembly | ENGINE |
| Code | 34.32 |
| Description | Crankshaft II |
| Revision | 1 |



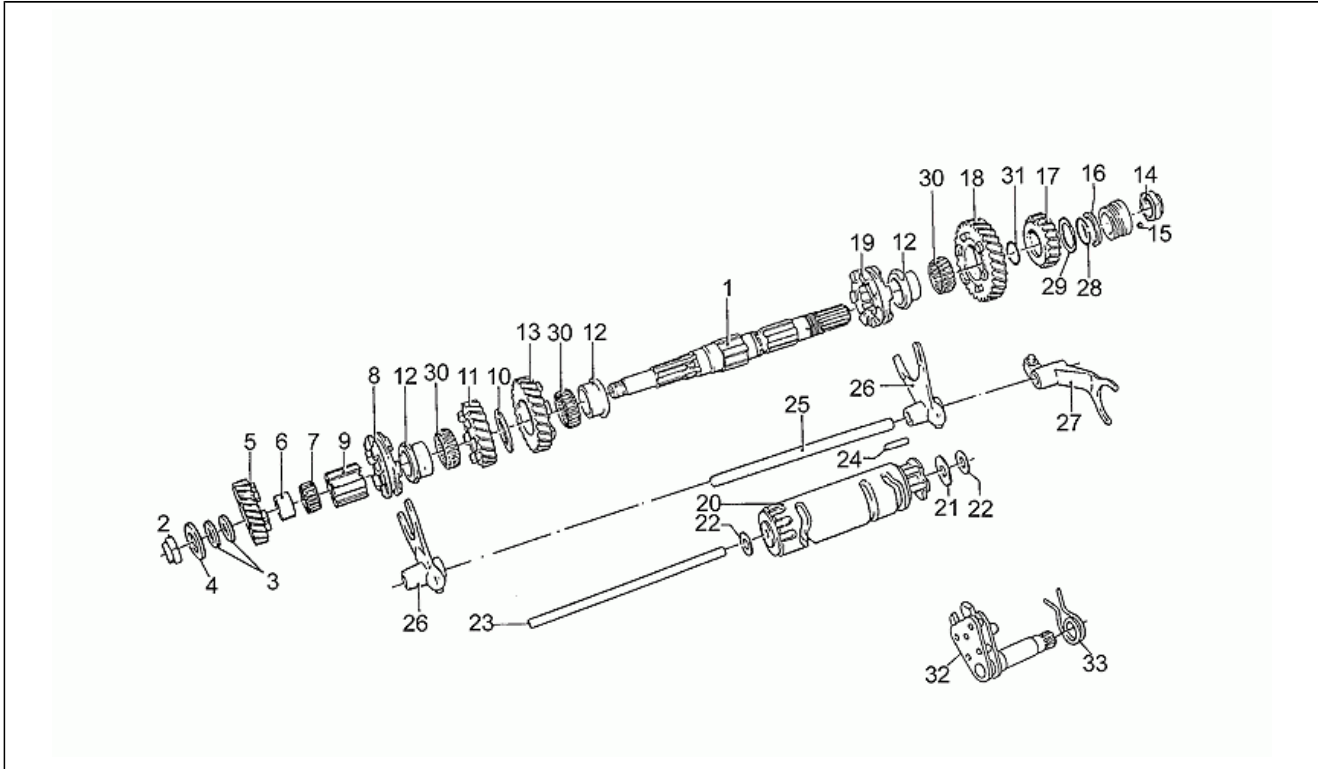
| Pos. | Code | Description | Q.ty | Variants |
|------|------------|-----------------------------|------|---|
| 3 | GU03060230 | Piston assy | 2 | Technical Specifications: See spare parts comm.n.005 of 2001[00501N], Frome engine KD30429[M2] |
| 4 | GU30060660 | Pistonring set | 2 | |
| 5 | GU30060760 | Piston ring | 2 | |
| 6 | GU30060960 | Piston ring | 2 | |
| 7 | GU30061060 | Piston ring | 2 | |
| 8 | GU30061241 | Piston pin | 2 | |
| 9 | GU90351038 | Stop ring | 4 | |
| 10 | GU14020865 | Gasket | 2 | |
| 11 | GU90706094 | O-ring 9x2 | 4 | |
| 12 | GU12021800 | Stud bolt | 4 | |
| 13 | GU12021700 | Stud bolt | 8 | |
| 14 | GU01061530 | Connecting rod | 2 | Technical Specifications: From engine KD20067[M4] |
| 14 | GU37061506 | Connecting rod | 2 | Technical Specifications: Until engine KD20066[M3] |
| 15 | GU37062206 | Connecting rod screw | 4 | |
| 16 | GU91112128 | Bush | 2 | |
| 17 | GU37062005 | Bearing half-shell | 4 | |
| 17 | GU37062006 | Bearing half-shell 0,254 mm | 4 | |
| 17 | GU37062007 | Bearing half-shell 0,508 mm | 4 | |
| 17 | GU37062008 | Bearing half-shell 0,762 mm | 4 | |
| 18 | GU30064161 | Drive shaft | 1 | Technical Specifications: Until engine KD20066[M3] |
| 18 | GU37064106 | Crankshaft cpl. | 1 | Technical Specifications: From engine KD20067[M4] |
| 19 | GU37065405 | Plug | 1 | |
| 20 | GU03067030 | Flywheel cpl. | 1 | |
| 21 | GU12067701 | Screw M8X25 | 6 | |
| 22 | GU14615901 | Washer 8,4X13X0,8 | 14 | |
| 23 | GU17067900 | Chain ring | 1 | |
| 24 | GU98054420 | Hex screw M8X20 | 8 | |

| | |
|--------------------|---------------|
| Assembly | ENGINE |
| Code | 34.32 |
| Description | Crankshaft II |
| Revision | 1 |



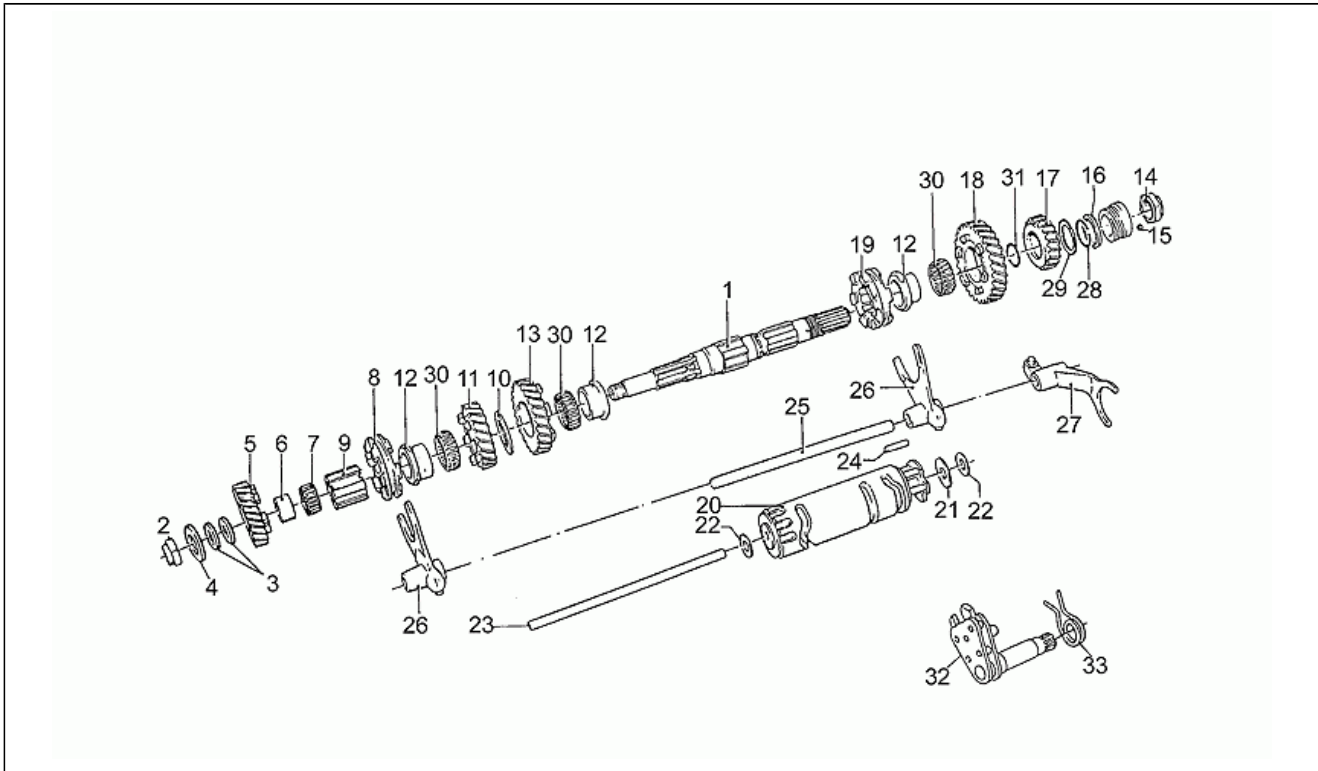
| Pos. | Code | Description | Q.ty | Variants |
|------|------------|----------------------|------|----------|
| 25 | GU03060130 | Cylinder with piston | 2 | |

| | |
|--------------------|--------------|
| Assembly | ENGINE |
| Code | 34.33 |
| Description | Driven shaft |
| Revision | 1 |



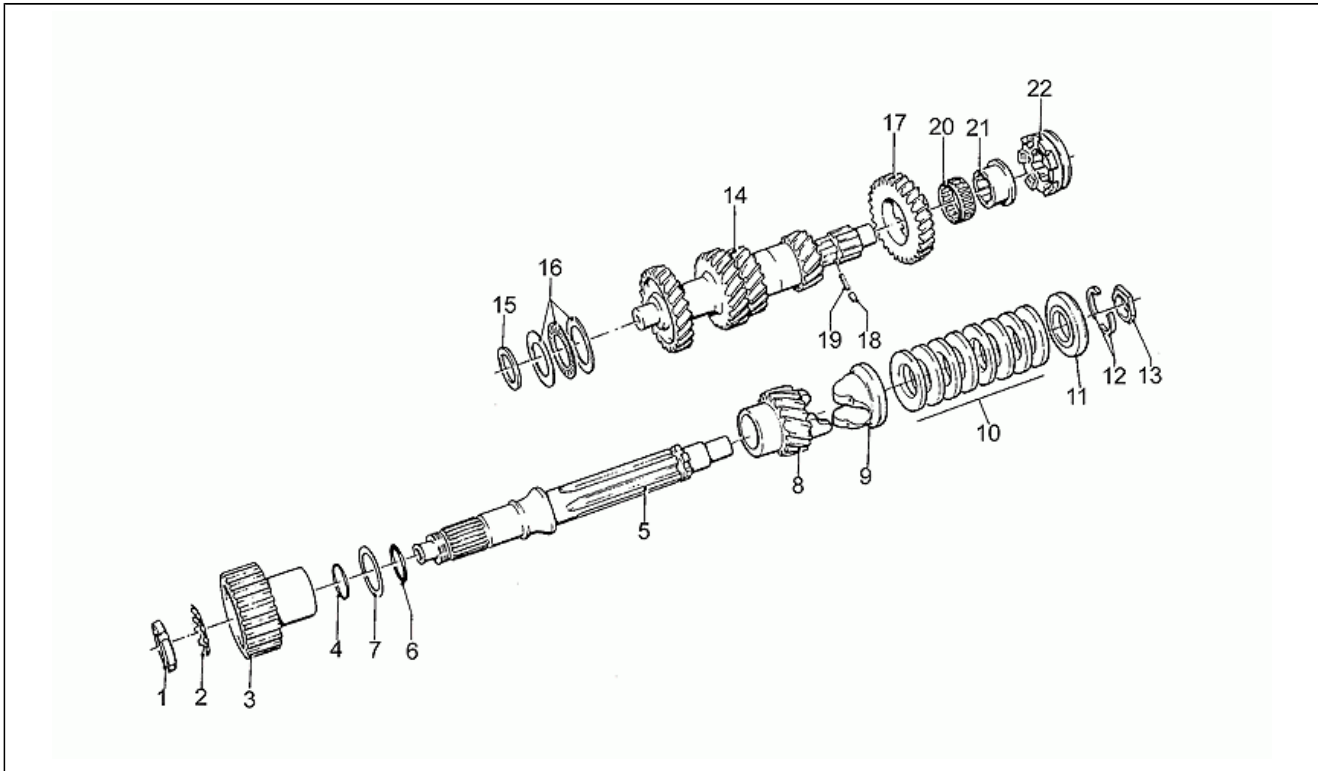
| Pos. | Code | Description | Q.ty | Variants |
|------|------------|--------------------------|------|--|
| 1 | GU30213602 | Driven shaft | 1 | |
| 2 | GU14217410 | Nut | 1 | |
| 3 | GU43083810 | Shim 17,25x27x0,5 | 2 | |
| 4 | GU14215400 | Clearance washer 17,1x30 | 1 | |
| 5 | GU03215100 | Gear 4a AS 5 inn.Z=20 | 1 | Technical Specifications: See spare parts comm.n.026 of 1998[02698N], 2 Series, 5 connections[2A5I] |
| 5 | GU14215110 | Gear 4a Z=20 | 1 | Technical Specifications: 1 Series, 6 connections[1A6I] |
| 6 | GU92259017 | Ring 4a | 1 | |
| 7 | GU92251022 | Roller cage 4a A.S. | 1 | |
| 8 | GU14231012 | Sliding sleeve 3a-4a | 1 | Technical Specifications: 1 Series, 6 connections[1A6I] |
| 8 | GU30231025 | Hose 3a-4a AS 5 inn. | 1 | Technical Specifications: See spare parts comm.n.026 of 1998[02698N], 2 Series, 5 connections[2A5I] |
| 9 | GU14232512 | Hose | 1 | |
| 10 | GU14218011 | Washer 25x40x3 | 1 | |
| 11 | GU03214800 | Gear 3a AS 5 inn.Z=22 | 1 | Technical Specifications: See spare parts comm.n.026 of 1998[02698N], 2 Series, 5 connections[2A5I] |
| 11 | GU14214810 | Gear 3a Z=22 | 1 | Technical Specifications: 1 Series, 6 connections[1A6I] |
| 12 | GU14213001 | Bush 1a-2a-3a AS | 3 | |
| 13 | GU03214500 | Gear 2a AS 5 inn.Z=25 | 1 | Technical Specifications: See spare parts comm.n.026 of 1998[02698N], 2 Series, 5 connections[2A5I] |
| 13 | GU14214510 | Gear 2a Z=25 | 1 | Technical Specifications: 1 Series, 6 connections[1A6I] |
| 14 | GU14219310 | Nut | 1 | |
| 15 | GU92295702 | Ball | 1 | |
| 16 | GU14217300 | Washer 22,1x32x2 | 1 | |
| 17 | GU14215213 | Gear 5a AS Z=21 | 1 | |
| 18 | GU14214210 | Gear 1a Z=28 | 1 | Technical Specifications: 1 Series, 6 connections[1A6I] |
| 18 | GU30214225 | Gear 1a AS 5 inn.Z=28 | 1 | Technical Specifications: See spare parts comm.n.026 of 1998[02698N], 2 Series, 5 connections[2A5I] |
| 19 | GU14230711 | Sliding sleeve 1a-2a | 1 | Technical Specifications: 1 Series, 6 connections[1A6I] |

| | |
|--------------------|--------------|
| Assembly | ENGINE |
| Code | 34.33 |
| Description | Driven shaft |
| Revision | 1 |



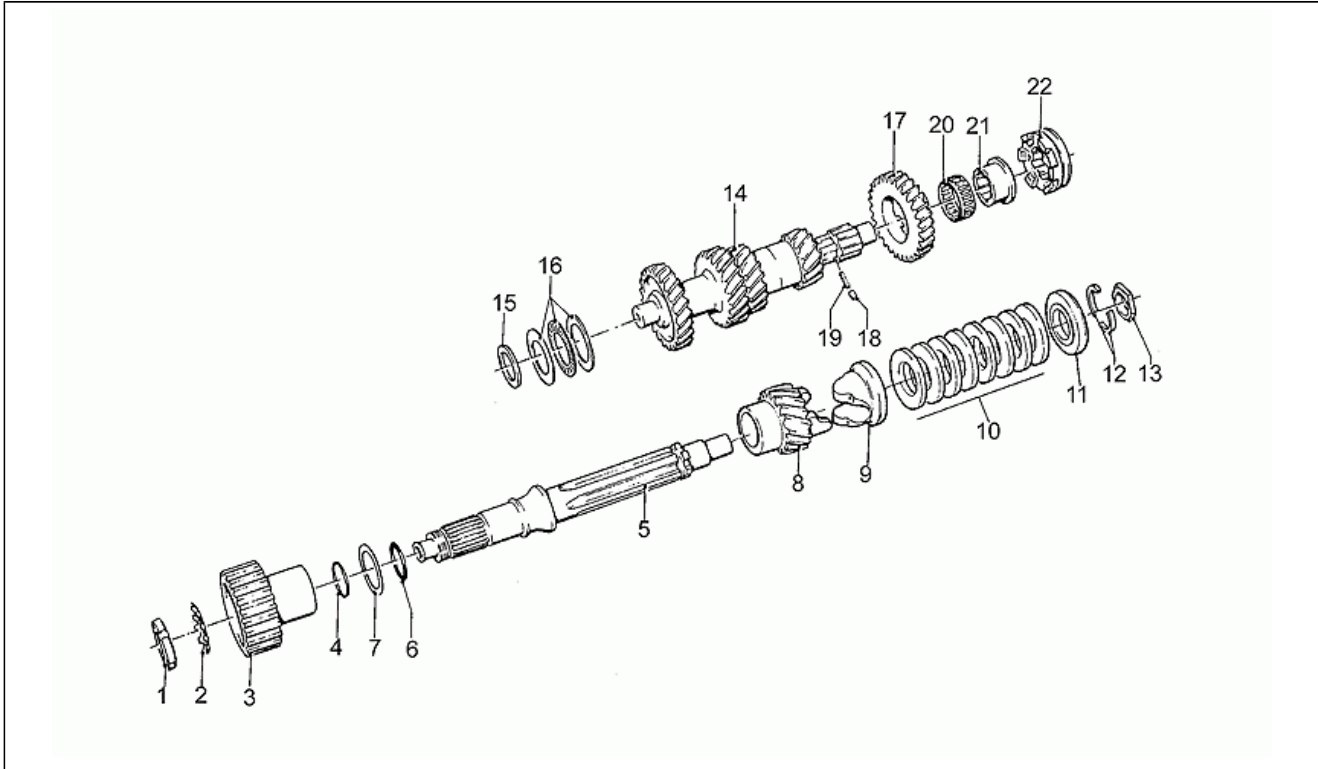
| Pos. | Code | Description | Q.ty | Variants |
|------|------------|-----------------------------|------|--|
| 19 | GU30230725 | Sliding sleeve 1a-2aAS5 inn | 1 | Technical Specifications: See spare parts comm.n.026 of 1998[02698N], 2 Series, 5 connections[2A5I] |
| 20 | GU14234405 | Shift cam | 1 | year: 1997[V], 1998[W], 1999[X], 2000[Y] |
| 21 | GU14235500 | Washer 8,2x28x1 | 1 | |
| 22 | GU55235000 | Shim 0,6 mm | 3 | |
| 22 | GU55235001 | Shim 0,8 mm | 3 | |
| 22 | GU55235002 | Shim 1 mm | 3 | |
| 22 | GU55235003 | Shim 1,2 mm | 3 | |
| 23 | GU14234300 | Rod | 1 | |
| 24 | GU14234600 | Pin | 4 | |
| 25 | GU14232400 | Rod | 1 | |
| 26 | GU14230501 | Fork 1a-2a-3a-4a | 2 | |
| 27 | GU14231201 | Fork 5a | 1 | |
| 28 | GU90706219 | O-ring 21,95x1,78 | 1 | |
| 29 | GU28217350 | Washer | 1 | |
| 30 | GU92251030 | Roller cage 30x35x13 | 3 | |
| 31 | GU90706203 | O-ring 20,24x2,62 | 1 | |
| 32 | GU28236260 | Preselection complete | 1 | |
| 33 | GU28238261 | Spring | 1 | |

| | |
|--------------------|----------|
| Assembly | ENGINE |
| Code | 34.36 |
| Description | Gear box |
| Revision | 1 |



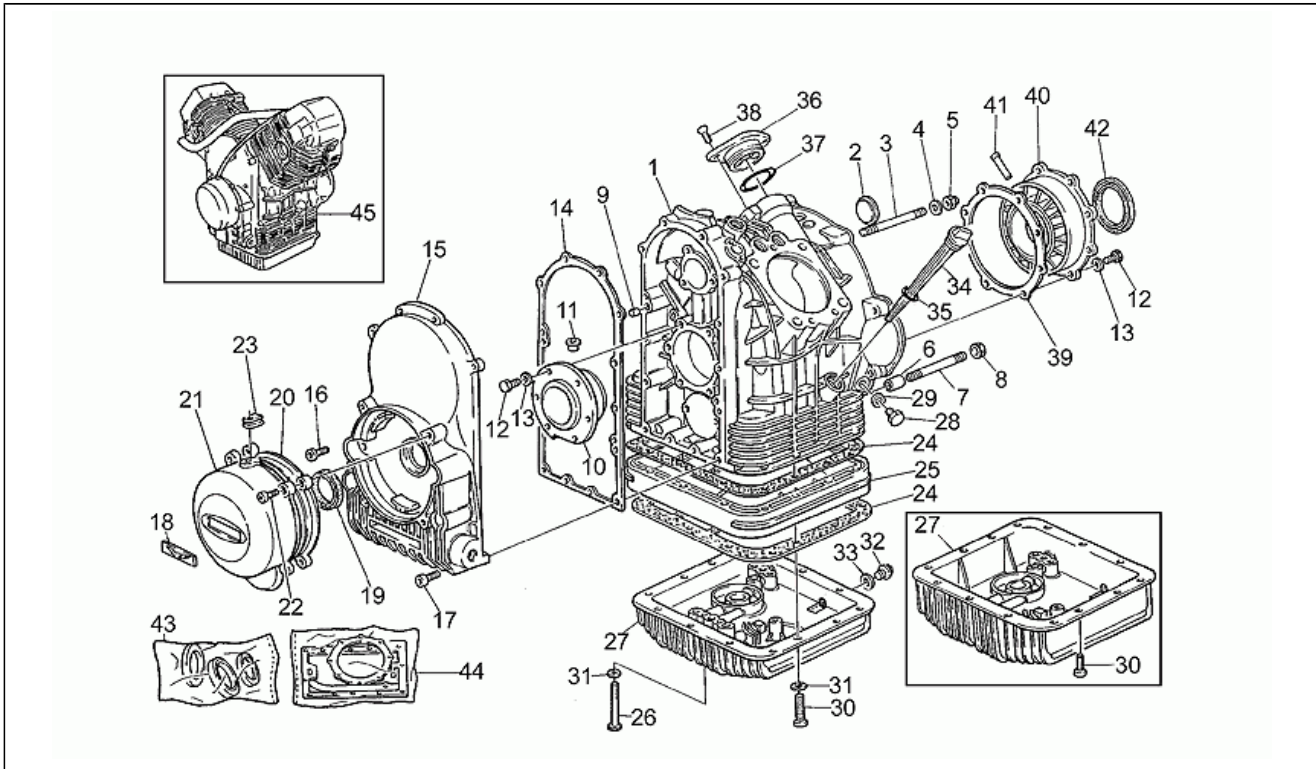
| Pos. | Code | Description | Q.ty | Variants |
|------|------------|----------------------------------|------|--|
| 1 | GU93601022 | Ring nut | 1 | |
| 2 | GU95028022 | Washer 22x20x3,9 | 1 | |
| 3 | GU30081810 | Clutch gear | 1 | |
| 4 | GU90706235 | O-ring 23,52x1,78 | 1 | |
| 5 | GU14210702 | Clutch shaft | 1 | |
| 6 | GU90706203 | O-ring 20,24x2,62 | 1 | |
| 7 | GU14218401 | Oil-spreading washer 25,1x36x0,5 | 1 | |
| 8 | GU30211160 | Idle gear Z=17 | 1 | year:1997[V], 1998[W], 1999[X], 2000[Y] |
| 9 | GU30211260 | Hose | 1 | year:1997[V], 1998[W], 1999[X], 2000[Y] |
| 10 | GU30211560 | Belleville spring | 8 | year:1997[V], 1998[W], 1999[X], 2000[Y] |
| 11 | GU30211660 | Disc | 1 | year:1997[V], 1998[W], 1999[X], 2000[Y] |
| 12 | GU12211700 | Half ring | 2 | |
| 13 | GU14219401 | Spacer | 1 | |
| 14 | GU14210513 | Primary gear shaft | 1 | |
| 15 | GU18211050 | Thrust washer sp.2 | 1 | |
| 15 | GU18211051 | Thrust washer sp.2,1 | 1 | |
| 15 | GU18211052 | Thrust washer sp.2,2 | 1 | |
| 15 | GU18211054 | Thrust washer sp.2,4 | 1 | |
| 16 | GU92258525 | Roller bearing | 1 | |
| 17 | GU03212000 | Gear 5a AP 5 inn.Z=28 | 1 | Technical Specifications: See spare parts comm.n.026 of 1998[02698N], 2 Series, 5 connections[2A5I] |
| 17 | GU14212013 | Gear 5a Z=28 | 1 | Technical Specifications: 1 Series, 6 connections[1A6I] |
| 18 | GU92296750 | Roller | 1 | |
| 19 | GU94321051 | Spring | 1 | |
| 20 | GU92251030 | Roller cage 30x35x13 | 1 | |
| 21 | GU14212210 | Bush 5a AP | 1 | |
| 22 | GU14231510 | Sliding sleeve 5a | 1 | Technical Specifications: 1 Series, 6 connections[1A6I] |

| | |
|--------------------|----------|
| Assembly | ENGINE |
| Code | 34.36 |
| Description | Gear box |
| Revision | 1 |



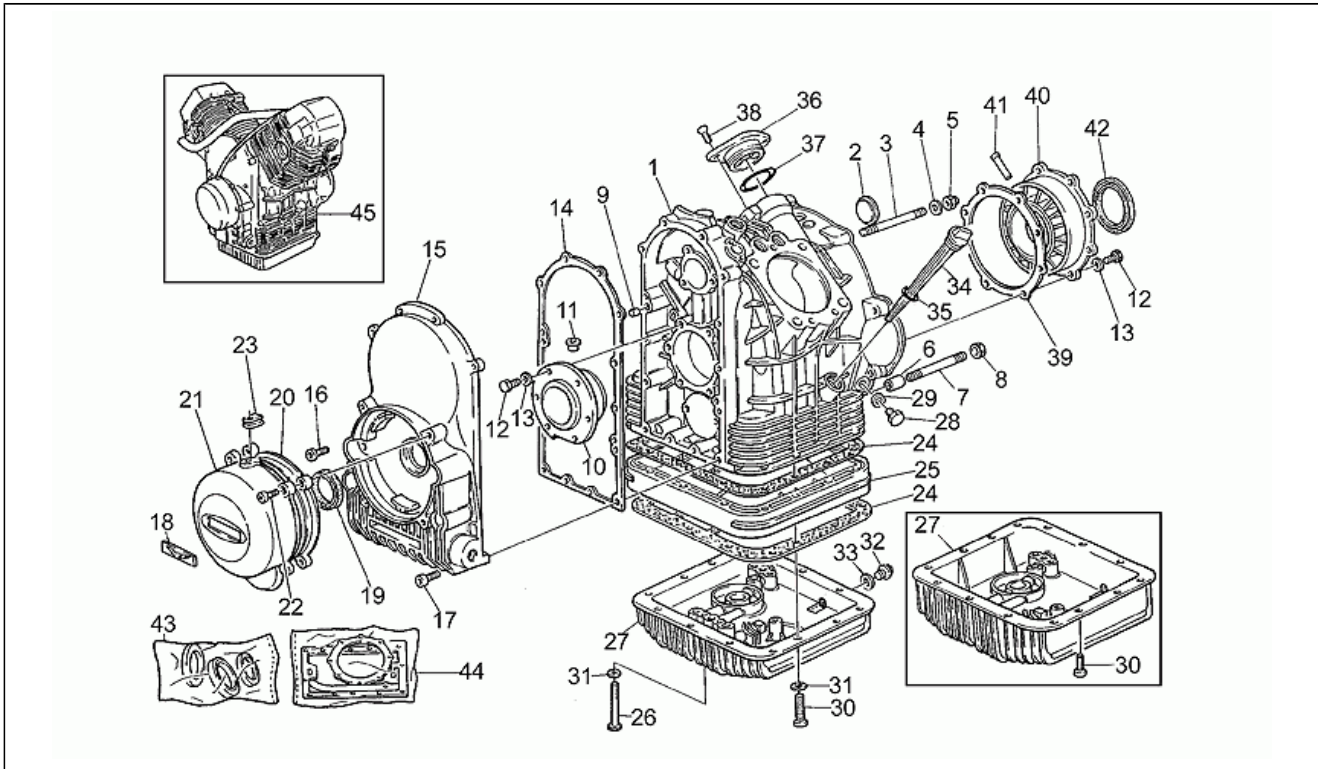
| Pos. | Code | Description | Q.ty | Variants |
|------|------------|-------------------|------|--|
| 22 | GU30231525 | Sliding sleeve 5a | 1 | Technical Specifications: See spare parts comm.n.026 of 1998[02698N], 2 Series, 5 connections[2A5I] |

| | |
|--------------------|-------------|
| Assembly | ENGINE |
| Code | 34.37 |
| Description | Crankcase I |
| Revision | 1 |



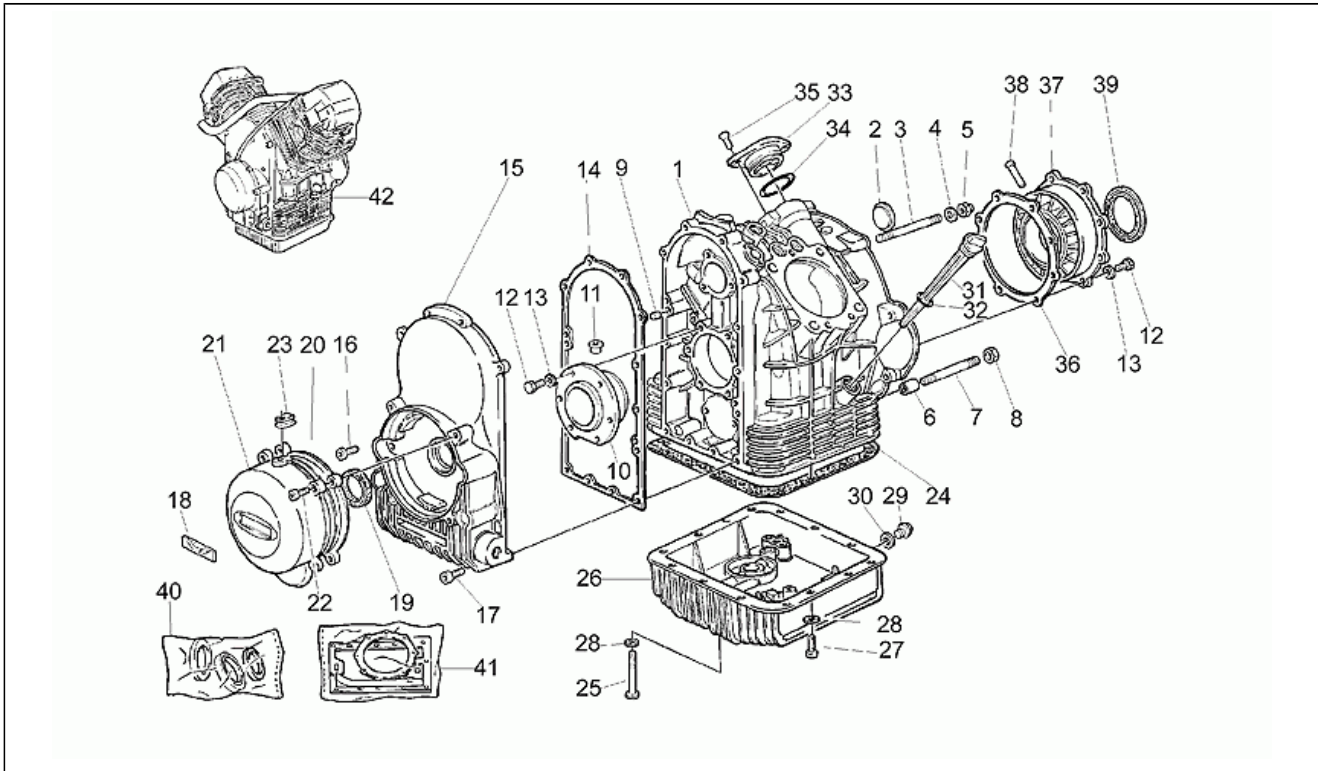
| Pos. | Code | Description | Q.ty | Variants |
|------|------------|---------------------------------|------|---|
| 1 | GU30000770 | Crankcase, grey | 1 | Technical Specifications: Until frame KD115749[T3] |
| 2 | GU12003900 | Disc | 1 | |
| 3 | GU96508066 | Stud bolt M8X66 | 3 | |
| 4 | GU95004208 | Washer | 4 | |
| 5 | GU92781081 | Nut | 2 | |
| 6 | GU12018900 | Coupling bush | 2 | |
| 7 | GU96508075 | Stud bolt M8x75 | 1 | |
| 8 | GU92602208 | Nut M8X1,25 | 2 | |
| 9 | GU95512081 | Pin | 2 | |
| 10 | GU14011900 | Complete flange | 1 | |
| 10 | GU14011901 | Flange min.0,2 mm | 1 | |
| 11 | GU12012200 | Pin | 1 | |
| 12 | GU98054425 | Screw M8X25 | 14 | |
| 13 | GU61270300 | Spring washer 8x15x0,3 | 14 | |
| 14 | GU12001200 | Cover gasket | 1 | |
| 15 | GU30001461 | Timing system cover | 1 | |
| 16 | GU98622325 | Hex socket screw M6X25 | 8 | |
| 17 | GU98620335 | Screw M6X35 | 6 | |
| 18 | GU02517700 | Adhesive label | 1 | |
| 19 | GU90402840 | Gasket ring 28x38x7 | 1 | |
| 20 | GU18001150 | Flange | 1 | |
| 21 | GU03001600 | Generator cover polished plated | 1 | |
| 22 | GU98310631 | Screw | 4 | |
| 23 | GU19007700 | Rubber spacer | 1 | |
| 24 | GU14003600 | Sump gasket | 2 | |
| 25 | GU30003260 | Motor oil flange | 1 | Technical Specifications: First series[1A] |
| 26 | GU98052390 | Screw | 4 | |
| 27 | GU03003501 | Oil sump grey | 1 | Technical Specifications: Second series[2A] |

| | |
|--------------------|-------------|
| Assembly | ENGINE |
| Code | 34.37 |
| Description | Crankcase I |
| Revision | 1 |



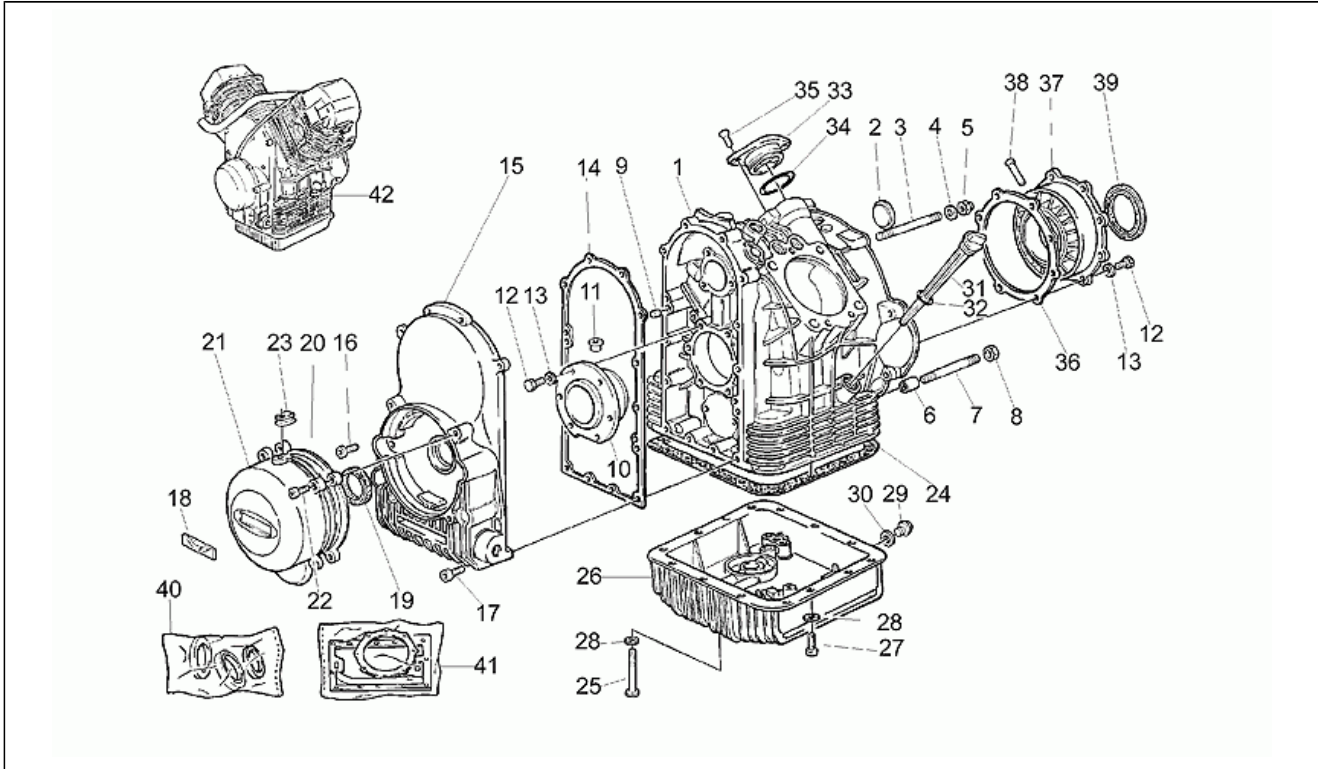
| Pos. | Code | Description | Q.ty | Variants |
|------|------------|------------------------|------|---|
| 27 | GU30003560 | Oil sump grey | 1 | Technical Specifications: First series[1A] |
| 28 | GU31003766 | Oil unload plug M10X1 | 1 | |
| 29 | GU95100304 | Gasket | 1 | |
| 30 | GU98620360 | Screw | 14 | Technical Specifications: First series[1A] |
| 30 | GU98622325 | Hex socket screw M6X25 | 14 | Technical Specifications: Second series[2A] |
| 31 | GU95004206 | Washer 6,15x11x0,8 | 18 | |
| 32 | GU12003702 | Oil unload plug | 1 | |
| 33 | GU95100709 | Gasket 20,1x28x2 | 1 | |
| 34 | GU30004910 | Oil plug | 1 | |
| 35 | GU90706178 | O-ring 17,86X2,62 | 1 | |
| 36 | GU29018361 | Cover | 1 | |
| 37 | GU90706313 | O-ring | 1 | |
| 38 | GU98250820 | Screw | 2 | |
| 39 | GU12011800 | Gasket | 1 | |
| 40 | GU12011400 | Complete flange | 1 | |
| 40 | GU12011401 | Flange min.0,2 mm | 1 | |
| 40 | GU12011402 | Flange min.0,4 mm | 1 | |
| 40 | GU12011403 | Flange min.0,6 mm | 1 | |
| 41 | GU12011700 | Pin | 1 | |
| 42 | GU90405367 | Gasket ring | 1 | |
| 43 | GU17999550 | Engine oil seal kit | 1 | |
| 44 | GU30999060 | Gaskets set | 1 | |
| 45 | GU03991000 | Engine | 1 | Technical Specifications: Until frame KD115749[T3] |

| | |
|--------------------|--------------|
| Assembly | ENGINE |
| Code | 34.38 |
| Description | Crankcase II |
| Revision | 1 |



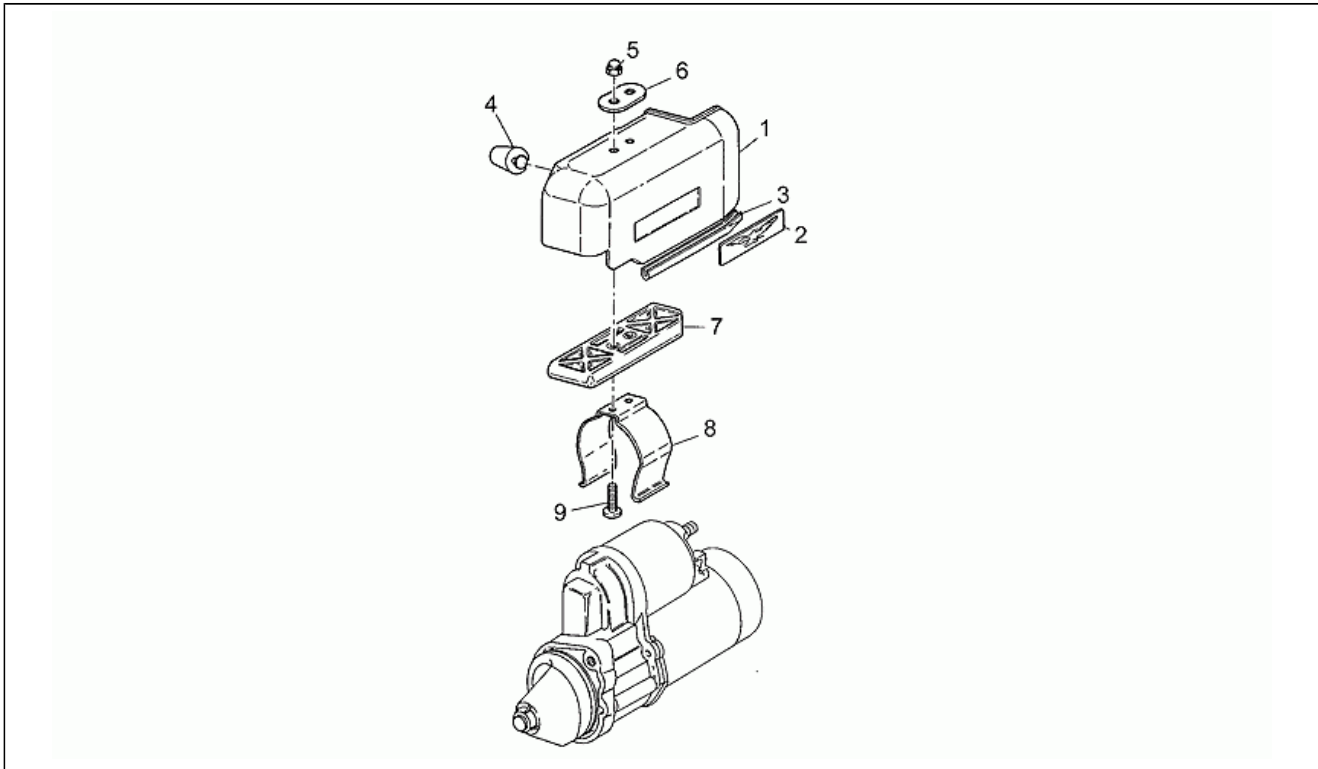
| Pos. | Code | Description | Q.ty | Variants |
|------|------------|---------------------------------|------|--|
| 1 | GU01000700 | Crankcase | 1 | year: 2000[Y] Technical Specifications: See spare parts comm.n.033 of 2000[03300N], From frame KD115750[T4] |
| 2 | GU12003900 | Disc | 1 | |
| 3 | GU96508066 | Stud bolt M8X66 | 4 | |
| 4 | GU95004208 | Washer | 6 | |
| 5 | GU92781081 | Nut | 2 | |
| 6 | GU12018900 | Coupling bush | 2 | |
| 7 | GU96508075 | Stud bolt M8x75 | 2 | |
| 8 | GU92602208 | Nut M8X1,25 | 4 | |
| 9 | GU95512081 | Pin | 2 | |
| 10 | GU14011900 | Complete flange | 1 | |
| 10 | GU14011901 | Flange min.0,2 mm | 1 | |
| 11 | GU12012200 | Pin | 1 | |
| 12 | GU98054425 | Screw M8X25 | 6 | |
| 13 | GU61270300 | Spring washer 8x15x0,3 | 14 | |
| 14 | GU12001200 | Cover gasket | 1 | |
| 15 | GU30001461 | Timing system cover | 1 | year:1997[V], 1998[W], 1999[X], 2000[Y] |
| 16 | GU98622325 | Hex socket screw M6X25 | 8 | |
| 17 | GU98620335 | Screw M6X35 | 6 | |
| 18 | GU02517700 | Adhesive label | 1 | |
| 19 | GU90402840 | Gasket ring 28x38x7 | 1 | |
| 20 | GU18001150 | Flange | 1 | |
| 21 | GU03001600 | Generator cover polished plated | 1 | |
| 22 | GU98310631 | Screw | 4 | |
| 23 | GU19007700 | Rubber spacer | 1 | |
| 24 | GU14003600 | Sump gasket | 1 | |
| 25 | GU98052390 | Screw | 4 | |

| | |
|--------------------|--------------|
| Assembly | ENGINE |
| Code | 34.38 |
| Description | Crankcase II |
| Revision | 1 |



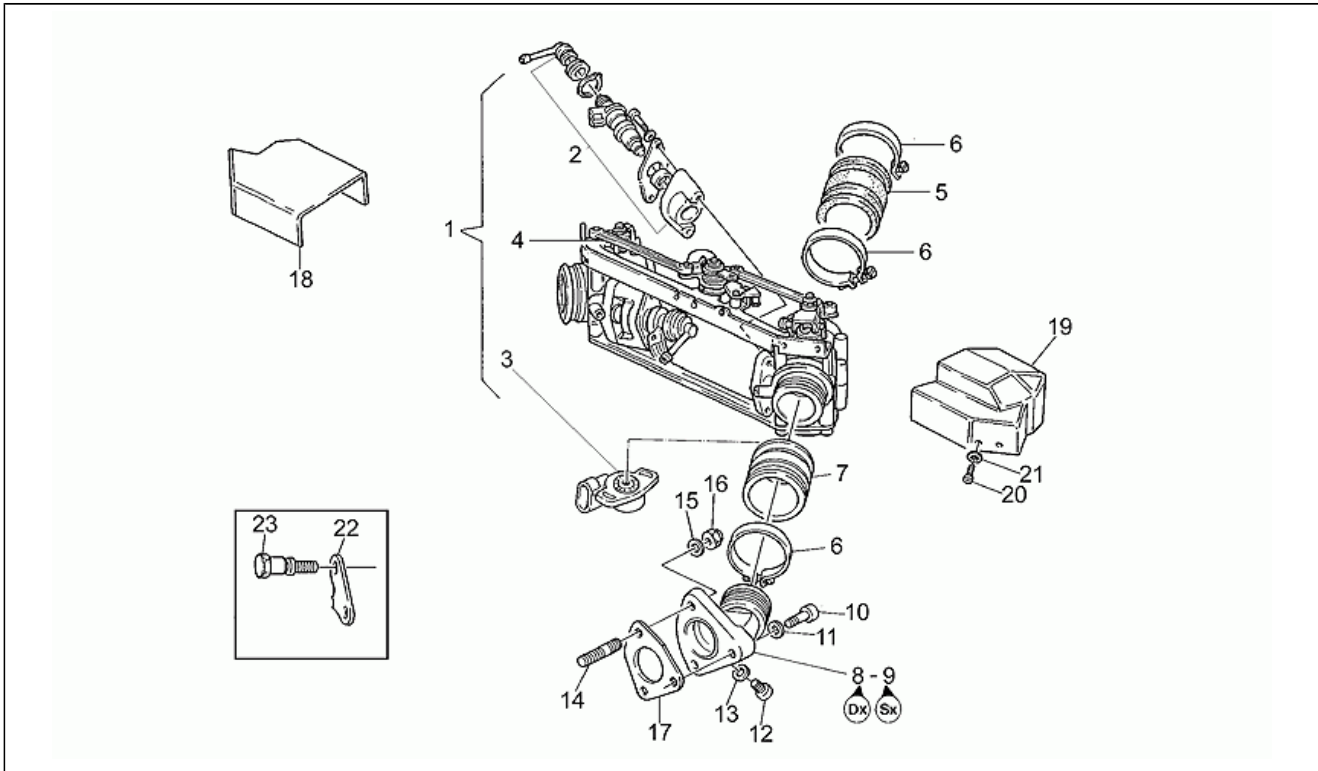
| Pos. | Code | Description | Q.ty | Variants |
|------|------------|------------------------|------|--|
| 26 | GU03003501 | Oil sump grey | 1 | year:1997[V], 1998[W], 1999[X], 2000[Y] |
| 27 | GU98622325 | Hex socket screw M6X25 | 14 | |
| 28 | GU95004206 | Washer 6,15x11x0,8 | 18 | |
| 29 | GU12003702 | Oil unload plug | 1 | |
| 30 | GU95100709 | Gasket 20,1x28x2 | 1 | |
| 31 | GU30004910 | Oil plug | 1 | |
| 32 | GU90706178 | O-ring 17,86X2,62 | 1 | |
| 33 | GU29018361 | Cover | 1 | |
| 34 | GU90706313 | O-ring | 1 | |
| 35 | GU98250820 | Screw | 2 | |
| 36 | GU12011800 | Gasket | 1 | |
| 37 | GU12011400 | Complete flange | 1 | |
| 37 | GU12011401 | Flange min.0,2 mm | 1 | |
| 37 | GU12011402 | Flange min.0,4 mm | 1 | |
| 37 | GU12011403 | Flange min.0,6 mm | 1 | |
| 38 | GU12011700 | Pin | 1 | |
| 39 | GU90405367 | Gasket ring | 1 | |
| 40 | GU17999550 | Engine oil seal kit | 1 | |
| 41 | GU30999060 | Gaskets set | 1 | |
| 42 | GU03991030 | Engine | 1 | year: 2000[Y] Technical Specifications: See spare parts comm.n.033 of 2000[03300N], From frame KD115750[T4] |

| | |
|--------------------|---------------------|
| Assembly | ENGINE |
| Code | 34.41 |
| Description | Starter motor cover |
| Revision | 1 |



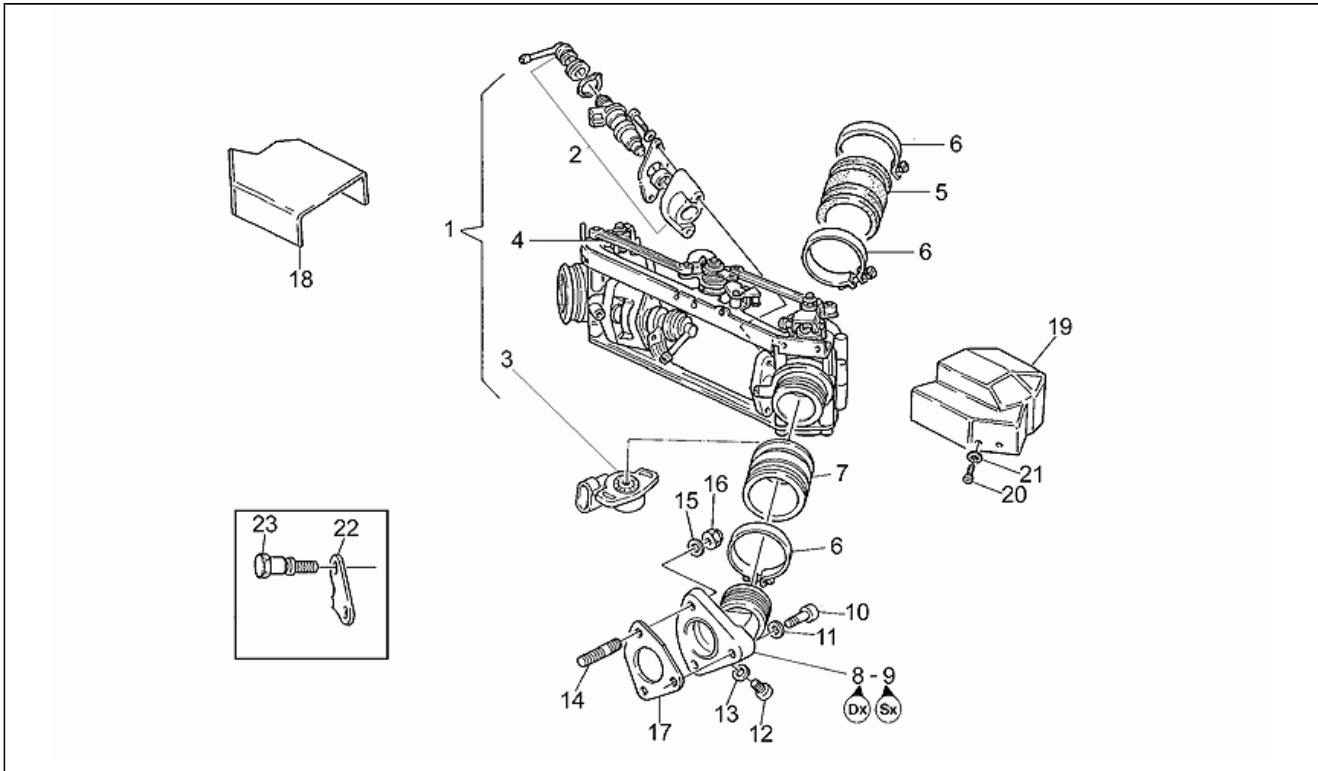
| Pos. | Code | Description | Q.ty | Variants |
|------|---------------|----------------------|------|----------|
| 1 | GU03733300 | Starter device cover | 1 | |
| 2 | GU01517700 | Decal "Aquila" | 1 | |
| 3 | GU00823931080 | Gasket PVC | 1 | |
| 4 | GU93180577 | Rubber spacer | 1 | |
| 5 | GU92781053 | Cap nut | 1 | |
| 6 | GU03436300 | Plate | 1 | |
| 7 | GU03733000 | Insulating spacer | 1 | |
| 8 | GU03733400 | Hose clamp | 1 | |
| 9 | GU03733500 | Screw M5x18 | 2 | |

| | |
|--------------------|-----------------|
| Assembly | ENGINE |
| Code | 34.42 |
| Description | Throttle body I |
| Revision | 1 |



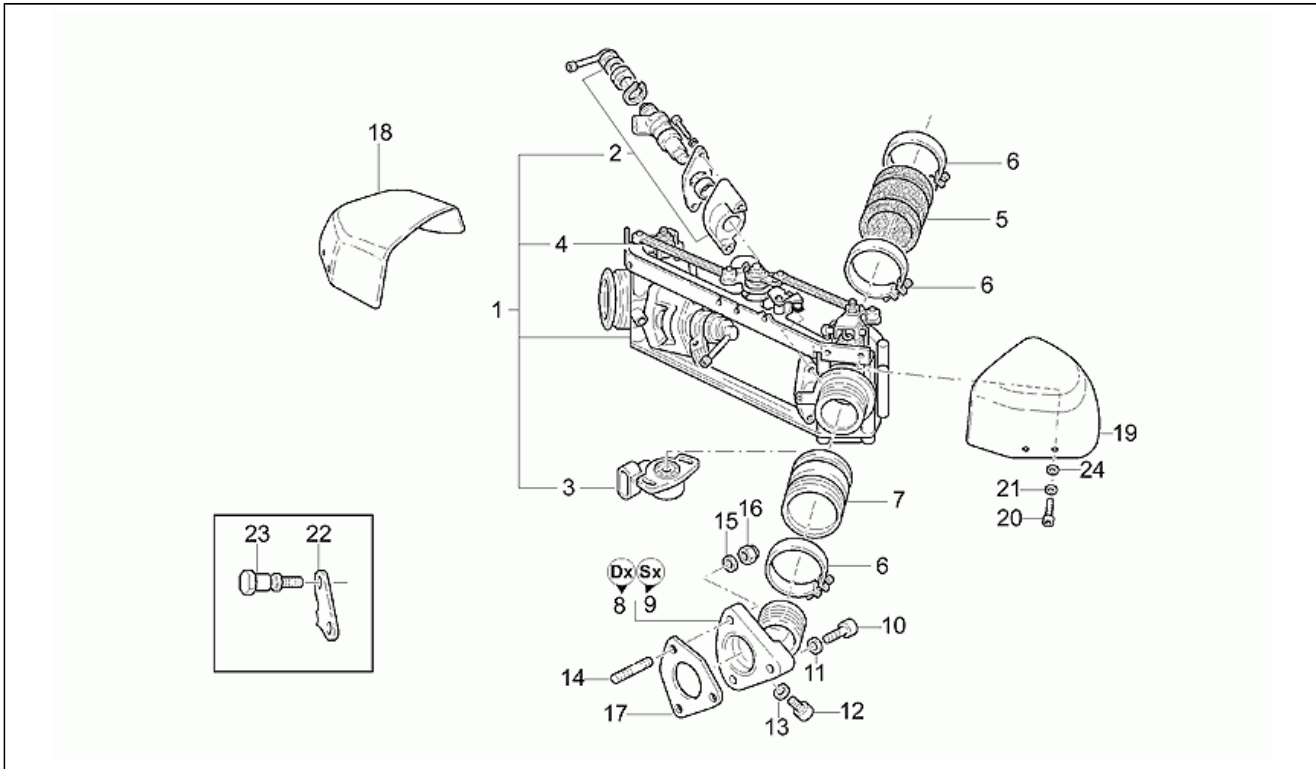
| Pos. | Code | Description | Q.ty | Variants |
|------|---------------|--------------------------|------|---|
| 1 | GU30112571 | Throttle body | 1 | |
| 2 | GU01530504 | Injector kit complete | 2 | |
| 3 | GU01530500 | Potentiometer | 1 | |
| 4 | GU29530562 | Tie rod | 2 | |
| 5 | GU30114470 | Hose | 2 | |
| 6 | GU93305060 | Hose clamp 60x62x10 | 8 | |
| 7 | GU30114370 | Hose | 2 | |
| 8 | GU30115070 | RH manifold | 1 | |
| 9 | GU30115071 | LH manifold | 1 | |
| 10 | GU98622325 | Hex socket screw M6X25 | 2 | |
| 11 | GU95004206 | Washer 6,15x11x0,8 | 2 | |
| 12 | GU98310610 | Screw | 2 | |
| 13 | GU95100116 | Washer 6,25x10x1,5 | 2 | |
| 14 | GU96506039 | Stud bolt | 4 | |
| 15 | GU61013800 | Special washer | 4 | |
| 16 | GU92781062 | Nut | 4 | |
| 17 | GU28115560 | Gasket | 2 | |
| 18 | GU03113360001 | RH cover chromium plated | 1 | |
| 18 | GU30113370 | RH body cover | 1 | |
| 19 | GU03113460001 | LH cover chromium plated | 1 | |
| 19 | GU30113470 | LH body cover | 1 | |
| 20 | GU98612110 | Screw | 4 | |
| 21 | GU95007204 | Washer | 4 | |
| 22 | GU29113035 | Clamp | 1 | Country: Switzerland[CH], Germany[D] Technical Specifications:25Kw Version[25Kw] |
| 22 | GU30118670 | Clamp | 1 | Country: Germany[D] Technical Specifications:37Kw Version[37Kw] |
| 23 | GU30468104 | Shear rivet | 2 | Country: Switzerland[CH], Germany[D] |

| | |
|--------------------|-----------------|
| Assembly | ENGINE |
| Code | 34.42 |
| Description | Throttle body I |
| Revision | 1 |



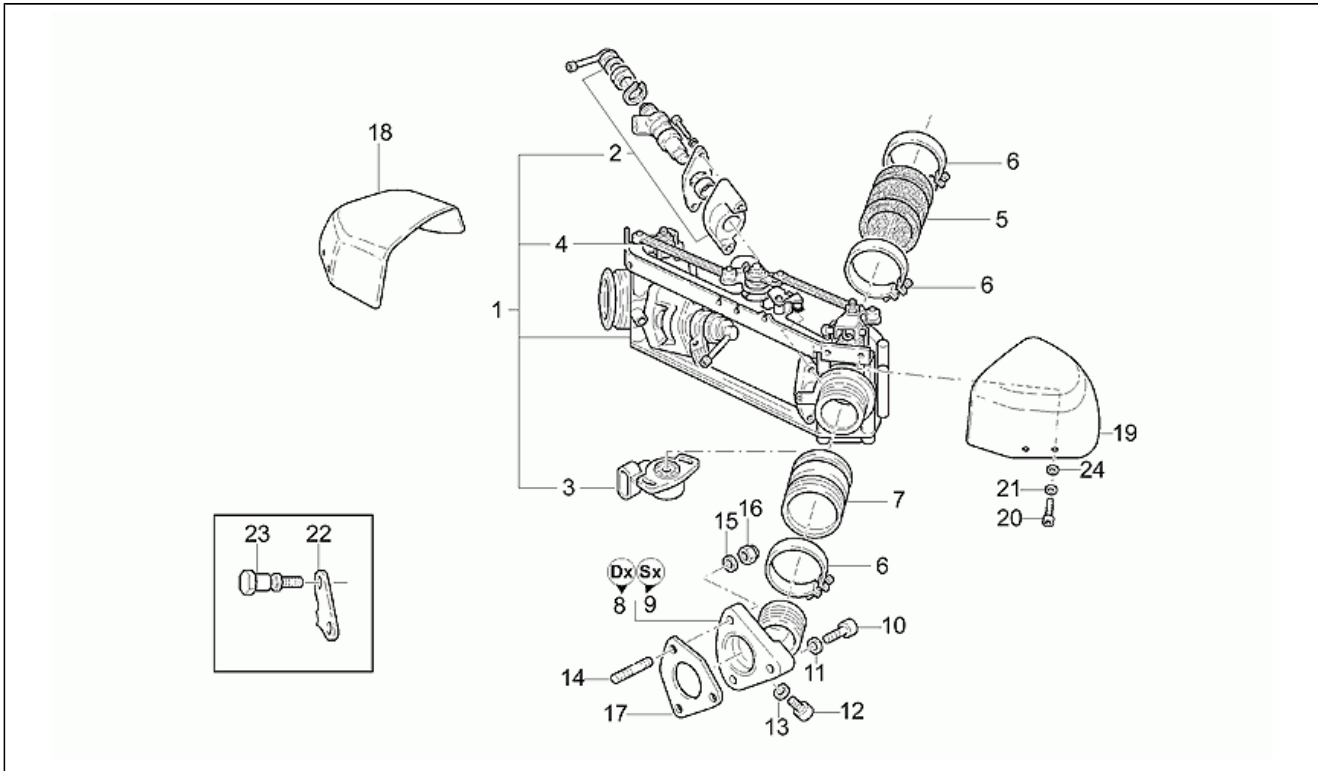
| Pos. | Code | Description | Q.ty | Variants |
|------|------|-------------|------|--|
| | | | | Technical Specifications: 25Kw Version [25Kw], 35Kw Version [35Kw] |

| | |
|--------------------|------------------|
| Assembly | ENGINE |
| Code | 34.43 |
| Description | Throttle body II |
| Revision | 1 |



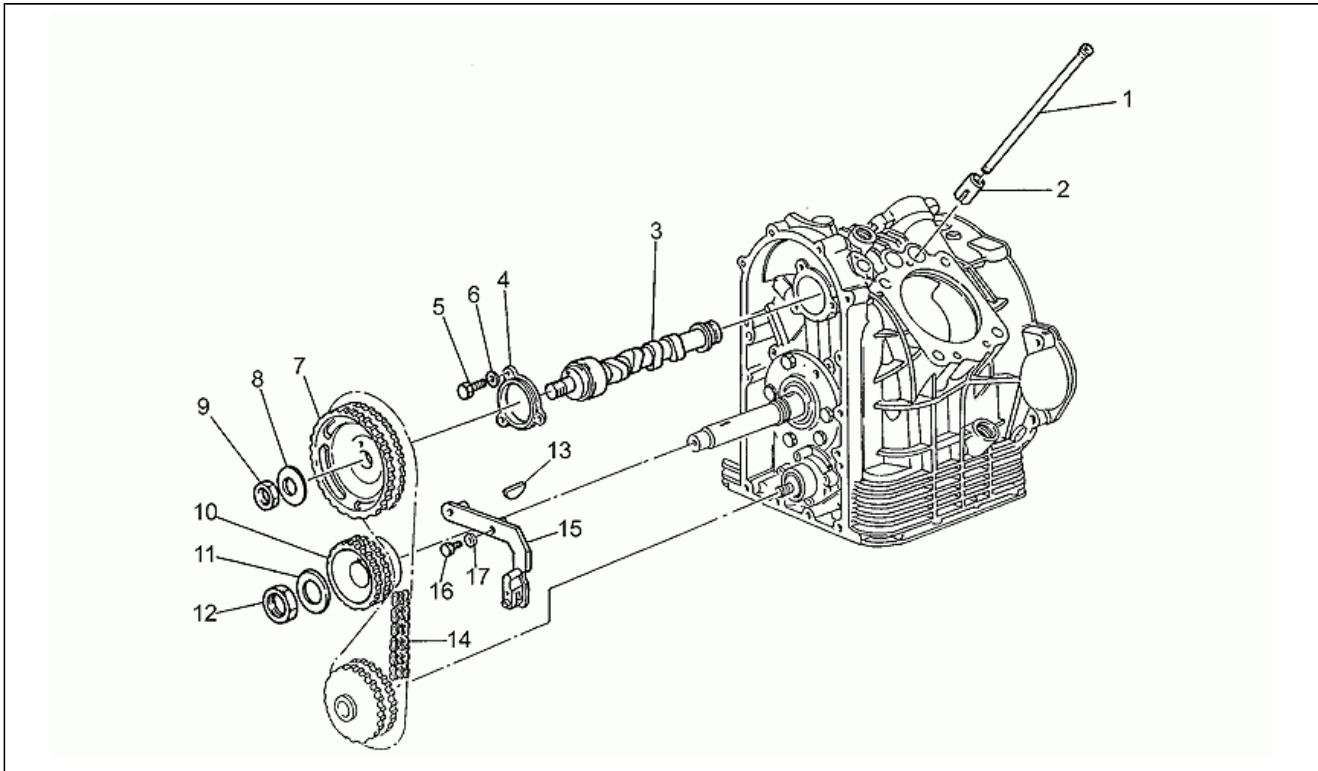
| Pos. | Code | Description | Q.ty | Variants |
|------|---------------|--------------------------|------|--|
| 1 | GU30112571 | Throttle body | 1 | |
| 2 | GU01530504 | Injector kit complete | 2 | |
| 3 | GU01530500 | Potentiometer | 1 | |
| 4 | GU29530562 | Tie rod | 2 | |
| 5 | GU30114470 | Hose | 2 | |
| 6 | GU93305061 | Hose clamp 61/65,5 | 8 | Technical Specifications: See spare parts comm.n.004 of 2001[00401N] |
| 7 | GU30114370 | Hose | 2 | |
| 8 | GU30115070 | RH manifold | 1 | |
| 9 | GU30115071 | LH manifold | 1 | |
| 10 | GU98622325 | Hex socket screw M6X25 | 2 | |
| 11 | GU14217901 | Washer 6,4x10x0,7 | 2 | |
| 12 | GU98310610 | Screw | 2 | |
| 13 | GU95100116 | Washer 6,25x10x1,5 | 2 | |
| 14 | GU96506039 | Stud bolt | 4 | |
| 15 | GU61013800 | Special washer | 4 | |
| 16 | GU92781062 | Nut | 4 | |
| 17 | GU28115560 | Gasket | 2 | |
| 18 | GU03113360001 | RH cover chromium plated | 1 | Technical Specifications: See spare parts comm.n.020 of 2001[02001N] |
| 19 | GU03113460001 | LH cover chromium plated | 1 | Technical Specifications: See spare parts comm.n.020 of 2001[02001N] |
| 20 | GU97202112 | Screw | 4 | Technical Specifications: See spare parts comm.n.020 of 2001[02001N], Second series[2A] |
| 20 | GU98612110 | Screw | 4 | Technical Specifications: First series[1A] |
| 21 | GU91180408 | Spacer 4x6x8 | 4 | Technical Specifications: See spare parts comm.n.020 of 2001[02001N], Second series[2A] |
| 21 | GU95004204 | Washer | 4 | Technical Specifications: First series[1A] |
| 22 | GU29113035 | Clamp | 1 | Country: Switzerland[CH], Germany[D] Technical Specifications: |

| | |
|--------------------|------------------|
| Assembly | ENGINE |
| Code | 34.43 |
| Description | Throttle body II |
| Revision | 1 |



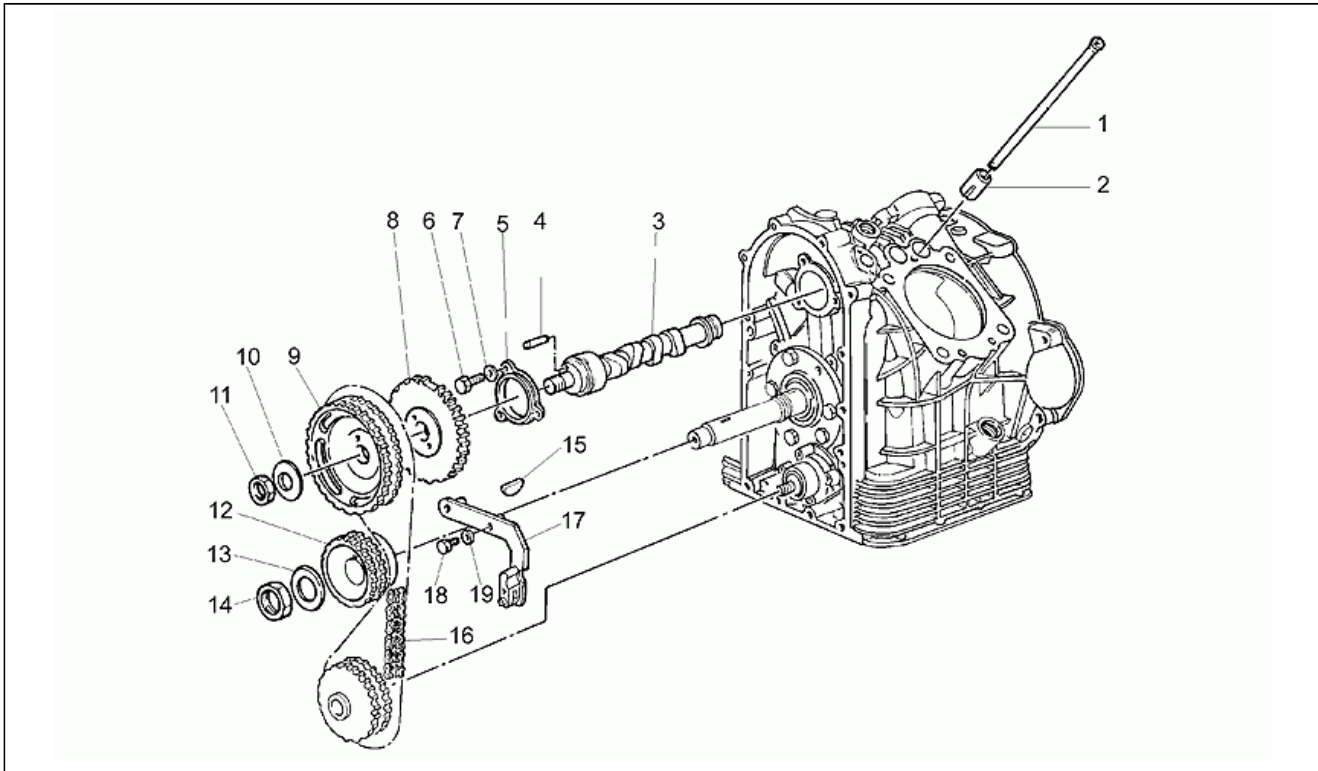
| Pos. | Code | Description | Q.ty | Variants |
|------|------------|---------------|------|--|
| 22 | GU30118670 | Clamp | 1 | Country: Germany[D] Technical Specifications: 37Kw Version[37Kw] |
| 23 | GU30468104 | Shear rivet | 2 | Country: Switzerland[CH], Germany[D] Technical Specifications: 25Kw Version[25Kw], 35Kw Version[35Kw] |
| 24 | GU91551034 | Rubber spacer | 4 | Technical Specifications: See spare parts comm.n.020 of 2001[02001N], Second series[2A] |

| | |
|--------------------|------------------|
| Assembly | ENGINE |
| Code | 34.44 |
| Description | Timing system II |
| Revision | 1 |



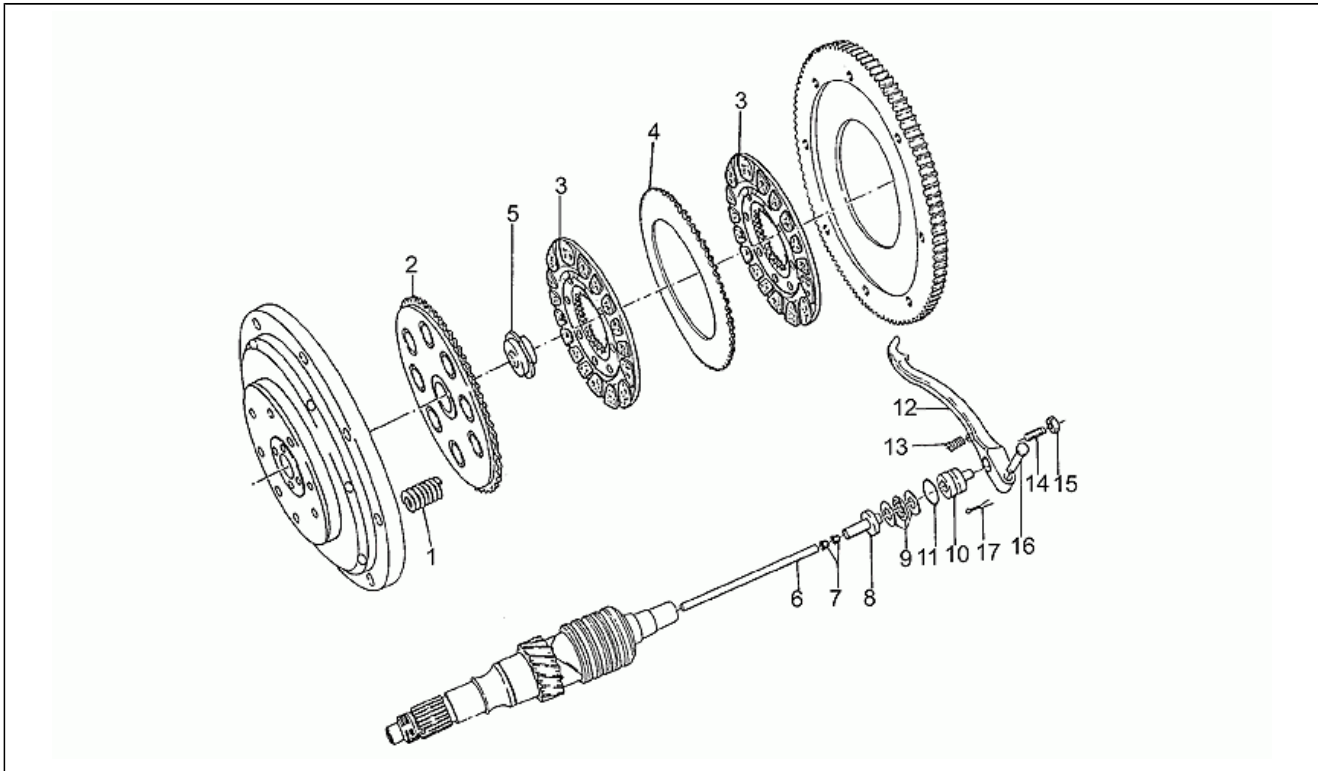
| Pos. | Code | Description | Q.ty | Variants |
|------|------------|-------------------------|------|---|
| 1 | GU37045006 | Rocker arm rod | 4 | |
| 2 | GU17045860 | Tappet | 4 | |
| 3 | GU30053360 | Camshaft | 1 | |
| 4 | GU12054000 | Flange | 1 | |
| 5 | GU98054320 | Hex screw M6X20 | 3 | |
| 6 | GU95120065 | Washer 6,5x11x2 | 3 | |
| 7 | GU29054460 | Timing system gear | 1 | |
| 8 | GU14433400 | Spring washer 19x34x1,5 | 1 | |
| 9 | GU92602518 | Nut M18X1,5 | 1 | Technical Specifications: See spare parts comm.n.015 of 2000[01500N] |
| 10 | GU14072001 | Pinion | 1 | |
| 11 | GU95100837 | Washer 25,5x35x2 | 1 | |
| 12 | GU92602525 | Nut M25 | 1 | |
| 13 | GU91702355 | Transmission key | 1 | |
| 14 | GU28058060 | Chain | 1 | |
| 15 | GU30057810 | Chain tensioner | 1 | |
| 16 | GU98052435 | Hex screw M8X35 | 2 | |
| 17 | GU61270300 | Spring washer 8x15x0,3 | 2 | |

| | |
|--------------------|-----------------|
| Assembly | ENGINE |
| Code | 34.45 |
| Description | Timing system I |
| Revision | 1 |



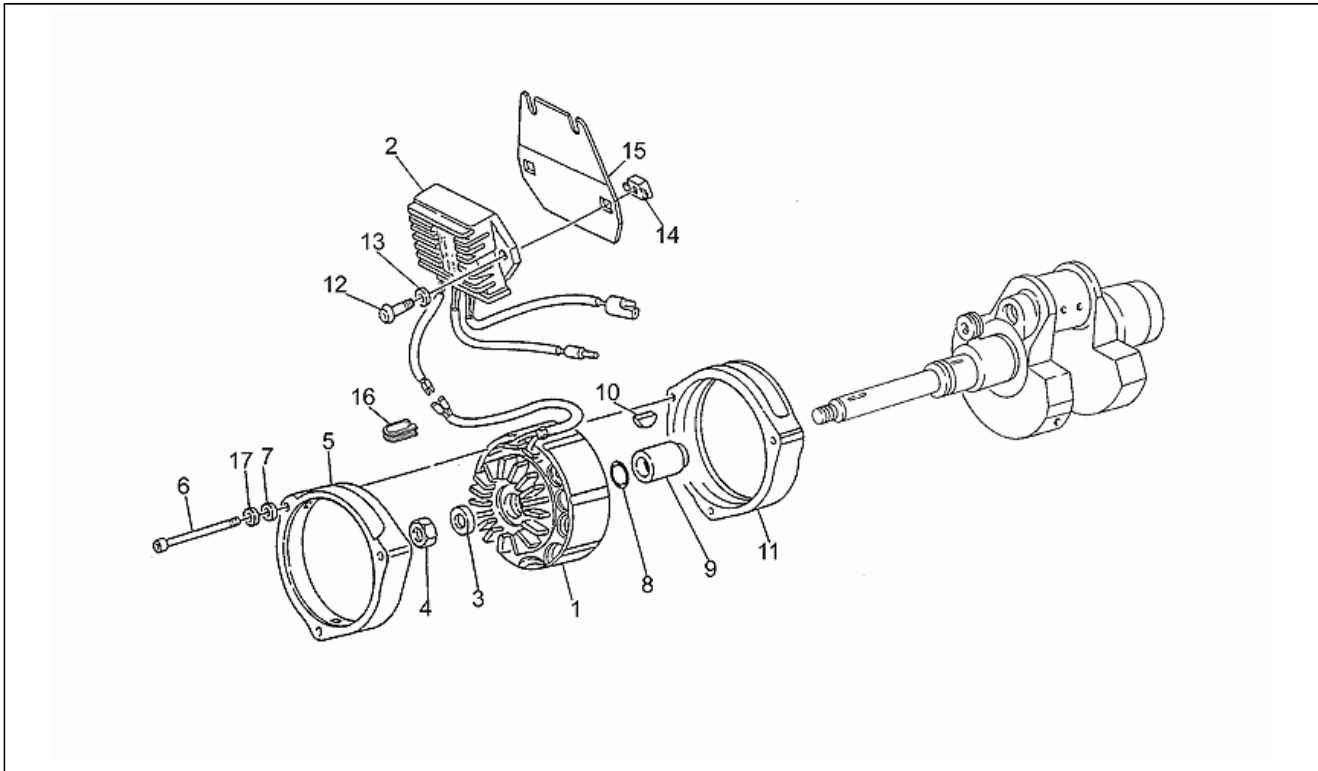
| Pos. | Code | Description | Q.ty | Variants |
|------|------------|--------------------------------|------|--|
| 1 | GU37045006 | Rocker arm rod | 4 | |
| 2 | GU17045860 | Tappet | 4 | |
| 3 | GU29053350 | Camshaft | 1 | |
| 4 | GU14234600 | Pin | 1 | |
| 5 | GU01054000 | Flange | 1 | |
| 6 | GU98054320 | Hex screw M6X20 | 3 | |
| 7 | GU95120065 | Washer 6,5x11x2 | 3 | |
| 8 | GU01051700 | Wheel speed sensor, left front | 1 | Technical Specifications: See spare parts comm.n.033 of 2000[03300N], From frame KD115750[T4] |
| 9 | GU01054500 | Timing system gear | 1 | Technical Specifications: See spare parts comm.n.033 of 2000[03300N], From frame KD115750[T4] |
| 10 | GU14433400 | Spring washer 19x34x1,5 | 1 | |
| 11 | GU92602518 | Nut M18X1,5 | 1 | |
| 12 | GU14072001 | Pinion | 1 | |
| 13 | GU95100837 | Washer 25,5x35x2 | 1 | |
| 14 | GU92602525 | Nut M25 | 1 | |
| 15 | GU91702355 | Transmission key | 1 | |
| 16 | GU28058060 | Chain | 1 | |
| 17 | GU30057810 | Chain tensioner | 1 | |
| 18 | GU98052435 | Hex screw M8X35 | 2 | |
| 19 | GU61270300 | Spring washer 8x15x0,3 | 2 | |

| | |
|--------------------|--------|
| Assembly | ENGINE |
| Code | 34.46 |
| Description | Clutch |
| Revision | 1 |



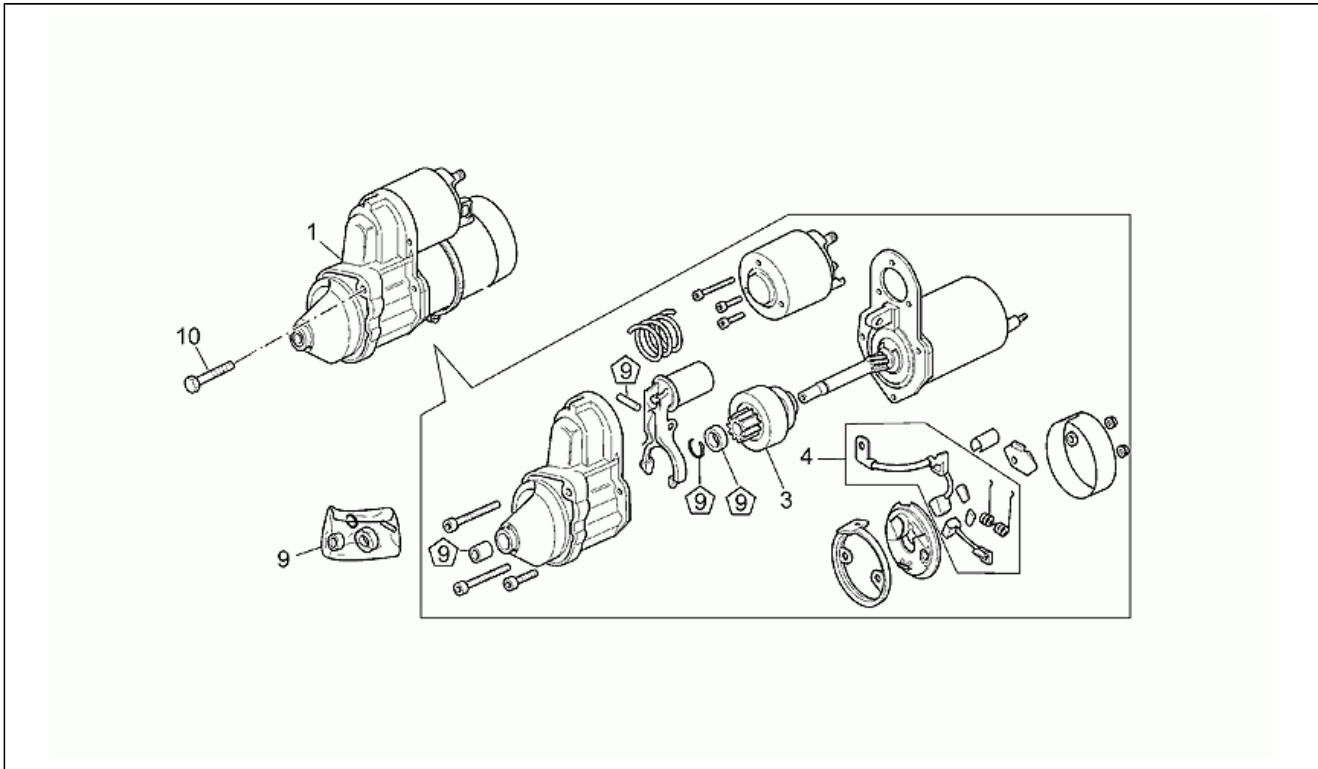
| Pos. | Code | Description | Q.ty | Variants |
|------|------------|-----------------------|------|----------|
| 1 | GU13084100 | Clutch spring | 8 | |
| 2 | GU12082901 | Disc | 1 | |
| 3 | GU03084400 | Clutch plate complete | 2 | |
| 4 | GU12082300 | Intermediate plate | 1 | |
| 5 | GU12082800 | Cup | 1 | |
| 6 | GU14085700 | Rod | 1 | |
| 7 | GU14085900 | Bush | 2 | |
| 8 | GU14086000 | Inner body | 1 | |
| 9 | GU12087001 | Thrust bearing | 1 | |
| 10 | GU14086100 | Outer body | 1 | |
| 11 | GU90706170 | O-ring 17,13x2,62 | 1 | |
| 12 | GU14090202 | Clutch release shaft | 1 | |
| 13 | GU94321105 | Lever return spring | 1 | |
| 14 | GU14090400 | Adjuster screw | 1 | |
| 15 | GU92602508 | Nut M8X1 | 1 | |
| 16 | GU95780271 | Pin 7x39 | 1 | |
| 17 | GU95500222 | Split pin | 1 | |

| | |
|--------------------|-----------------------|
| Assembly | ENGINE |
| Code | 34.47 |
| Description | Generator - Regulator |
| Revision | 1 |



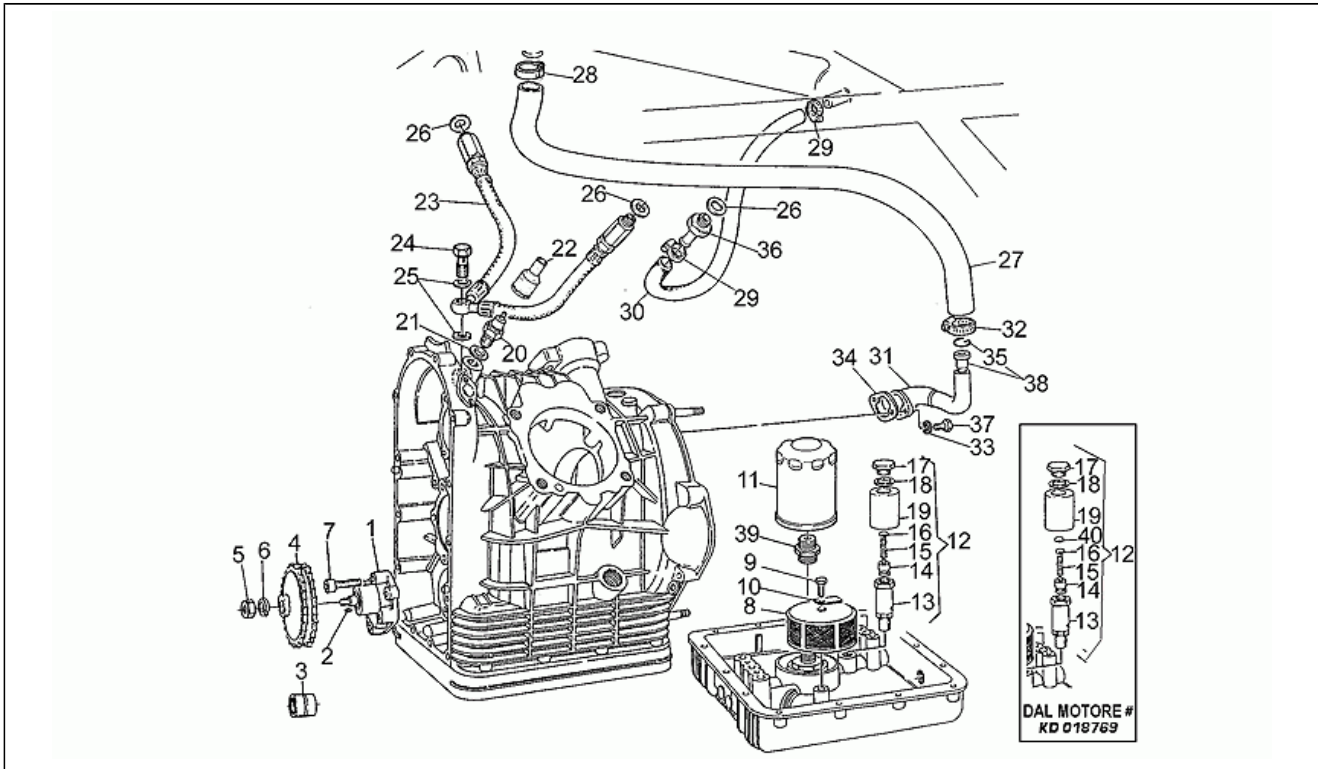
| Pos. | Code | Description | Q.ty | Variants |
|------|------------|------------------------|------|----------|
| 1 | GU37712405 | Generator | 1 | |
| 2 | GU37703805 | Voltage regulator | 1 | |
| 3 | GU30714201 | Washer 16,25x24,5x5 | 1 | |
| 4 | GU92603516 | Nut M16X1,5 | 1 | |
| 5 | GU29711460 | Front calotte | 1 | |
| 6 | GU98620265 | Screw | 3 | |
| 7 | GU29217960 | Washer 5,9X3X0,8 | 3 | |
| 8 | GU90706178 | O-ring 17,86X2,62 | 1 | |
| 9 | GU37712306 | Spacer | 1 | |
| 10 | GU91600450 | Transmission key | 1 | |
| 11 | GU29711960 | Rear cap | 1 | |
| 12 | GU98622318 | Hex socket screw M6X18 | 2 | |
| 13 | GU95000206 | Washer | 2 | |
| 14 | GU92660601 | Captive nut | 2 | |
| 15 | GU29704060 | Support plate | 1 | |
| 16 | GU19007700 | Rubber spacer | 1 | |
| 17 | GU14615901 | Washer 8,4X13X0,8 | 2 | |

| | |
|--------------------|---------------|
| Assembly | ENGINE |
| Code | 34.49 |
| Description | Starter motor |
| Revision | 1 |



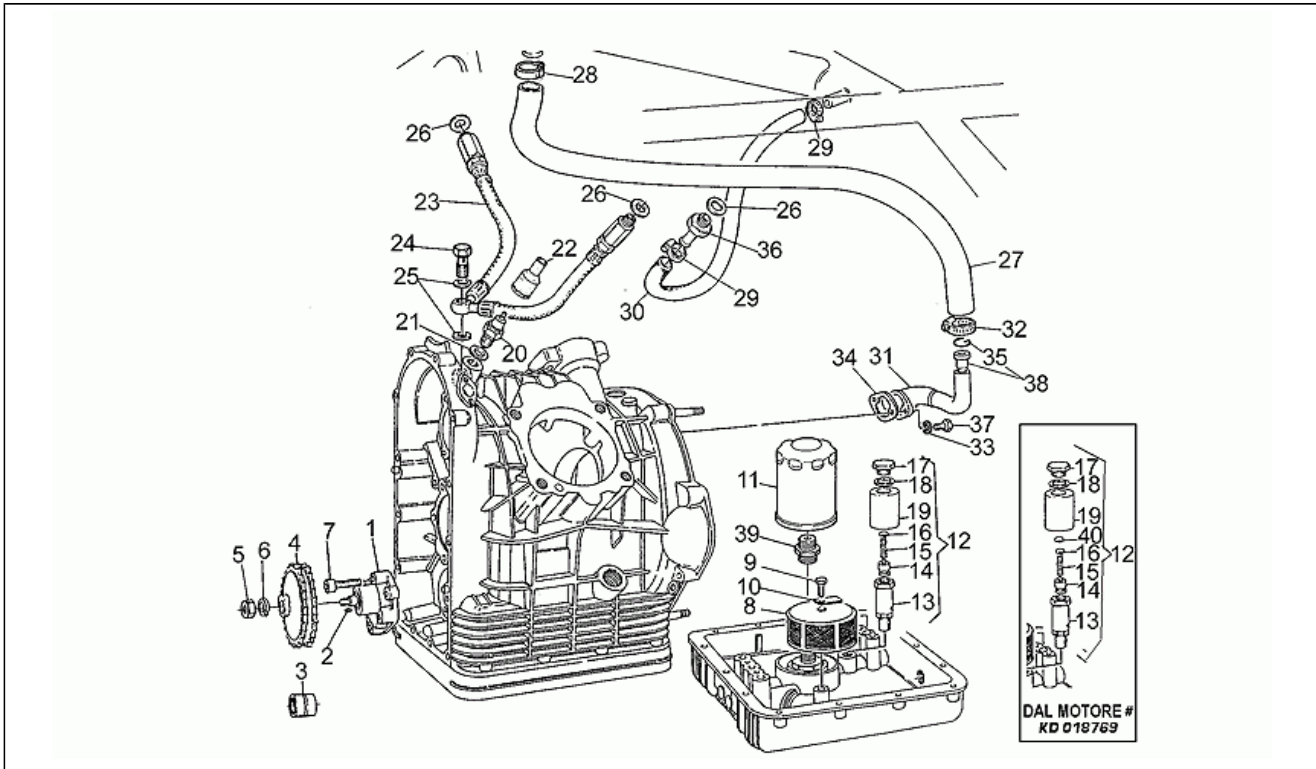
| Pos. | Code | Description | Q.ty | Variants |
|------|------------|----------------------------|------|----------|
| 1 | GU30730711 | Starter motor Valeo | 1 | |
| 3 | GU30530510 | Pinion assy | 1 | |
| 4 | GU30530511 | Brush revision set | 1 | |
| 9 | GU30530512 | Starter motor revision kit | 1 | |
| 10 | GU98052475 | Hex screw M8X75 | 2 | |

| | |
|--------------------|----------|
| Assembly | ENGINE |
| Code | 34.51 |
| Description | Oil pump |
| Revision | 1 |



| Pos. | Code | Description | Q.ty | Variants |
|------|------------|-------------------------|------|---|
| 1 | GU30146400 | Oil pump | 1 | |
| 2 | GU13148300 | Transmission key | 1 | |
| 3 | GU92252210 | Roller bearing 10x22x20 | 1 | |
| 4 | GU30147700 | Oil pump gear | 1 | |
| 5 | GU92602308 | Nut | 1 | |
| 6 | GU95120085 | Spring washer | 1 | |
| 7 | GU98622430 | Screw M8X30 | 4 | |
| 8 | GU14152200 | Oil filter | 1 | |
| 9 | GU98054316 | Hex screw M6X16 | 1 | |
| 10 | GU95187006 | Plate | 1 | |
| 11 | GU30153000 | Oil filter | 1 | |
| 12 | GU03158200 | Oil valve cpl. | 1 | |
| 13 | GU10158701 | Valve body | 1 | Technical Specifications: Until engine KD115983[M5] |
| 13 | GU30158701 | Valve body | 1 | Technical Specifications: See spare parts comm.n.025 of 1998[02598N], From engine KD115984[M6] |
| 14 | GU12150900 | Piston | 1 | Technical Specifications: Until engine KD115983[M5] |
| 14 | GU30150900 | Piston | 1 | Technical Specifications: See spare parts comm.n.025 of 1998[02598N], From engine KD115984[M6] |
| 15 | GU94321072 | Valve spring | 1 | Technical Specifications: Until engine KD115983[M5] |
| 15 | GU94321079 | Spring | 1 | Technical Specifications: See spare parts comm.n.025 of 1998[02598N], From engine KD115984[M6] |
| 16 | GU12150700 | Bottom | 1 | Technical Specifications: Until engine KD115983[M5] |
| 16 | GU95004206 | Washer 6,15x11x0,8 | 1 | Technical Specifications: See spare parts comm.n.025 of 1998[02598N], From engine KD115984[M6] |
| 17 | GU12159000 | Plug | 1 | Technical Specifications: Until engine KD115983[M5] |
| 17 | GU30159000 | Plug | 1 | Technical Specifications: See spare parts comm.n.025 of 1998[02598N], From engine KD115984[M6] |
| 18 | GU18144350 | Washer 18,25x24x1 | 2 | Technical Specifications: See spare parts comm.n.025 of 1998[02598N], From engine KD115984[M6] |

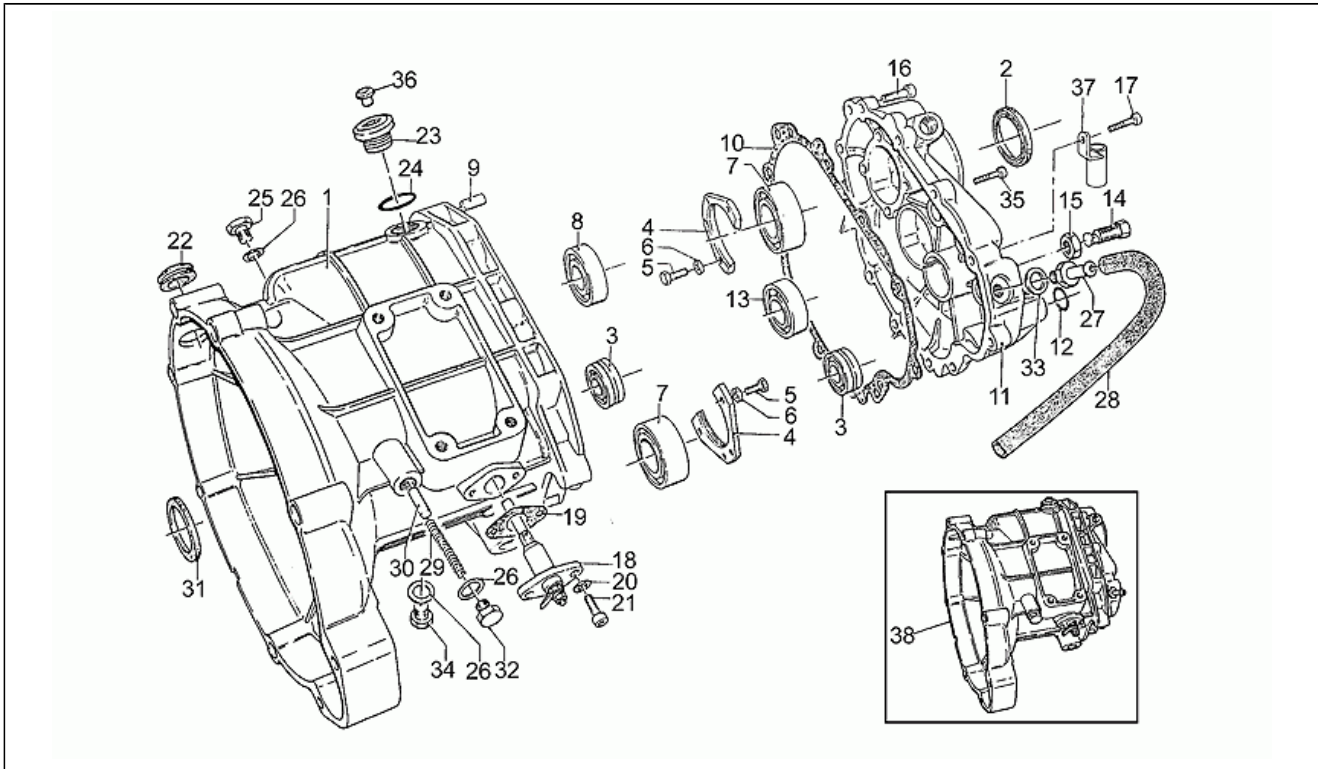
| | |
|--------------------|----------|
| Assembly | ENGINE |
| Code | 34.51 |
| Description | Oil pump |
| Revision | 1 |



| Pos. | Code | Description | Q.ty | Variants |
|------|---------------|----------------------------|------|---|
| 18 | GU95100523 | Washer 14,5X20X1 | 2 | Technical Specifications: Until engine KD115983[M5] |
| 19 | GU14158800 | Cup | 1 | Technical Specifications: Until engine KD115983[M5] |
| 19 | GU30158800 | Cup | 1 | Technical Specifications: See spare parts comm.n.025 of 1998[02598N], From engine KD115984[M6] |
| 20 | GU17768750 | Pressure sensor | 1 | |
| 21 | GU12006400 | Gasket 12,25 | 1 | |
| 22 | GU12717600 | Cap | 1 | |
| 23 | GU01153602 | Pipe | 1 | |
| 24 | GU95990037 | Screw | 5 | |
| 25 | GU12154200 | Gasket 8,25x15x1 | 2 | |
| 26 | GU25656102 | Gasket | 4 | |
| 27 | GU28157450 | Pipe | 1 | |
| 28 | GU28157850 | Hose clamp | 1 | |
| 29 | GU93305017 | Hose clamp | 4 | |
| 30 | GU00823956080 | Rubber pipe 12,5X7,8 5/16" | 1 | |
| 31 | GU01007200 | Breather pipe | 1 | |
| 32 | GU12157800 | Hose clamp | 1 | |
| 33 | GU95120065 | Washer 6,5x11x2 | 2 | |
| 34 | GU12007600 | Gasket | 1 | |
| 35 | GU65061300 | Stop ring | 1 | |
| 36 | GU28153960 | Union | 2 | |
| 37 | GU98054320 | Hex screw M6X20 | 2 | |
| 38 | GU28150560 | Oil breather valve | 1 | |
| 39 | GU30003800 | Oil filter union | 1 | |
| 40 | GU30158900 | Washer | 1 | Technical Specifications: See spare parts comm.n.025 of 1998[02598N], From frame KD018769[T8] |

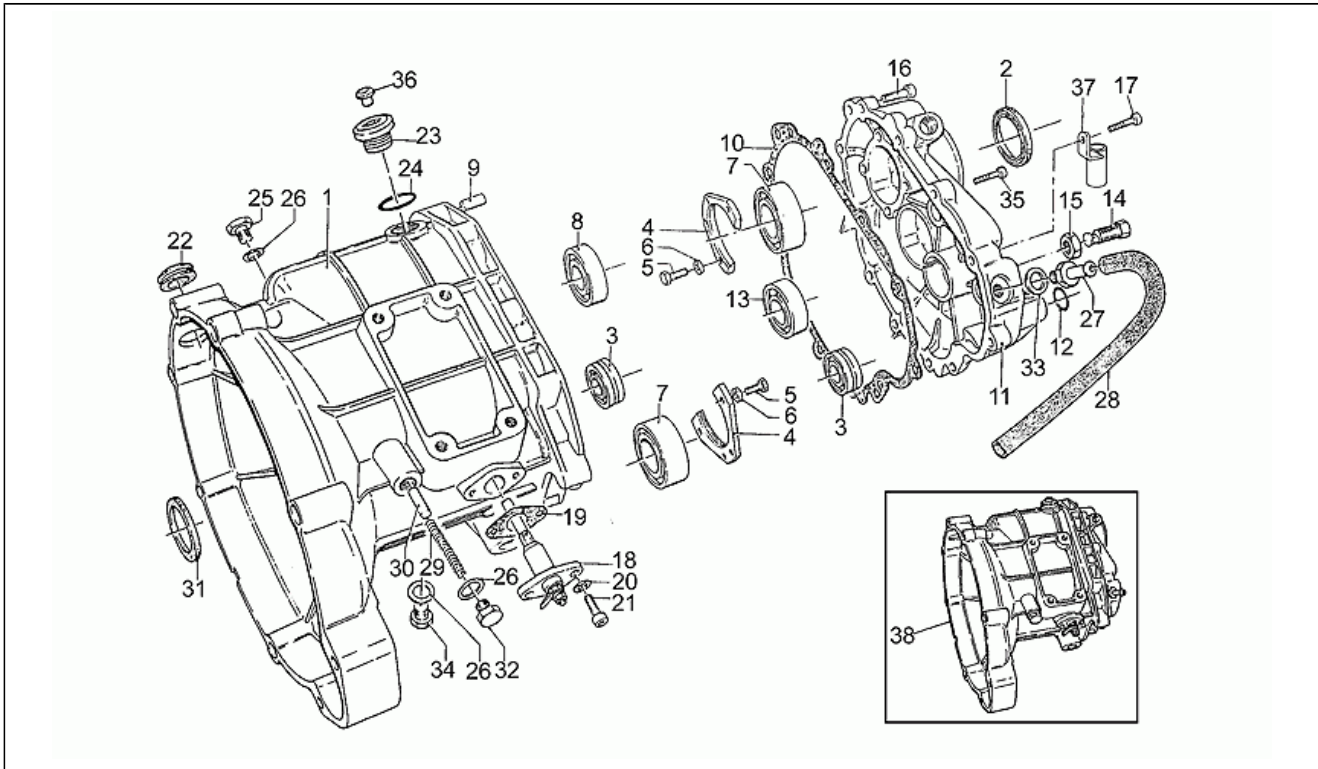


| | |
|--------------------|-------------------|
| Assembly | ENGINE |
| Code | 34.52 |
| Description | Transmission cage |
| Revision | 1 |



| Pos. | Code | Description | Q.ty | Variants |
|------|---------------|----------------------------|------|---|
| 1 | GU30200260 | Transmission cage | 1 | year:1997[V], 1998[W], 1999[X], 2000[Y] |
| 2 | GU90403547 | Gasket ring 35x47x7 | 1 | |
| 3 | GU92256218 | Roller bearing 17x35x15 | 2 | |
| 4 | GU14213803 | Plate | 2 | |
| 5 | GU98622316 | Hex socket screw M6X16 | 6 | |
| 6 | GU14217901 | Washer 6,4x10x0,7 | 6 | |
| 7 | GU92218424 | Ball bearing AF/AS 25x52 | 2 | |
| 8 | GU92234717 | Roller bearing AS 17x47x14 | 1 | |
| 9 | GU95512081 | Pin | 2 | |
| 10 | GU14201110 | Gasket | 1 | |
| 11 | GU30200860 | Box cover | 1 | year:1997[V], 1998[W], 1999[X], 2000[Y] |
| 12 | GU90706140 | O-ring 13,95x2,92 | 1 | |
| 13 | GU92201417 | Ball bearing AP 17x47x14 | 1 | |
| 14 | GU14237800 | Screw | 1 | |
| 15 | GU92602512 | Low nut M12x1,25 | 1 | |
| 16 | GU98622325 | Hex socket screw M6X25 | 9 | |
| 17 | GU98620335 | Screw M6X35 | 1 | |
| 18 | GU12207200 | Neutral indicator switch | 1 | |
| 19 | GU12207700 | Gasket | 1 | |
| 20 | GU14217901 | Washer 6,4x10x0,7 | 2 | |
| 21 | GU98230615 | Screw | 2 | |
| 22 | GU93180220 | Plug | 1 | |
| 23 | GU12022600 | Oil plug | 1 | |
| 24 | GU90706203 | O-ring 20,24X2,62 | 1 | |
| 25 | GU95980214 | Oil level plug | 1 | |
| 26 | GU10528900 | Gasket | 3 | |
| 27 | GU14204955 | Oil breather valve | 1 | |
| 28 | GU00823956080 | Rubber pipe 12,5X7,8 5/16" | 1 | |

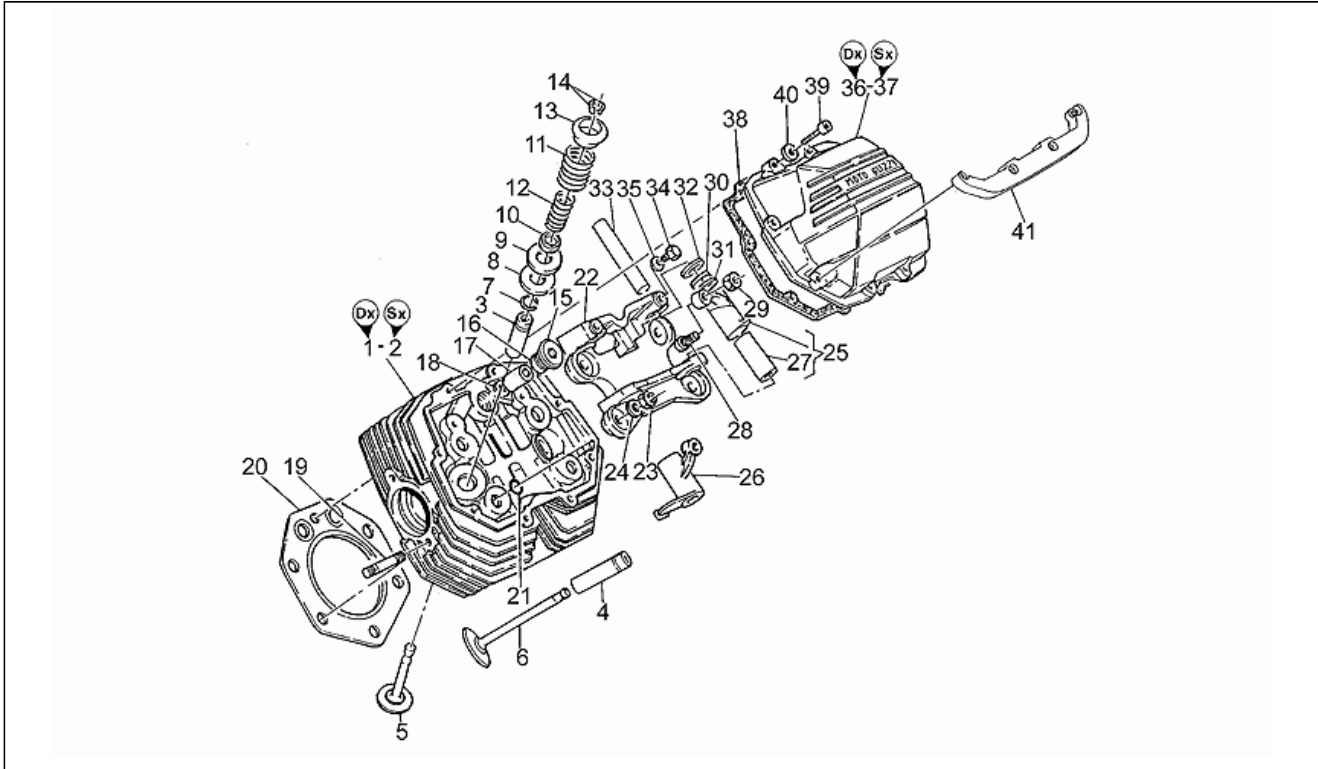
| | |
|--------------------|-------------------|
| Assembly | ENGINE |
| Code | 34.52 |
| Description | Transmission cage |
| Revision | 1 |



| Pos. | Code | Description | Q.ty | Variants |
|------|------------|-------------------------|------|---|
| 29 | GU94321067 | Lever return spring | 1 | |
| 30 | GU55234700 | Pawl | 1 | |
| 31 | GU90403548 | Gasket ring 35x47x7/6,5 | 1 | |
| 32 | GU95980610 | Plug | 1 | |
| 33 | GU12154200 | Gasket 8,25x15x1 | 2 | |
| 34 | GU31003766 | Oil unload plug M10X1 | 1 | |
| 35 | GU98822325 | Screw | 1 | |
| 36 | GU93180245 | Plug | 1 | |
| 37 | GU30424660 | Support | 1 | |
| 38 | GU03991500 | Gearbox assy., grey | 1 | year:1997[V], 1998[W], 1999[X], 2000[Y] |

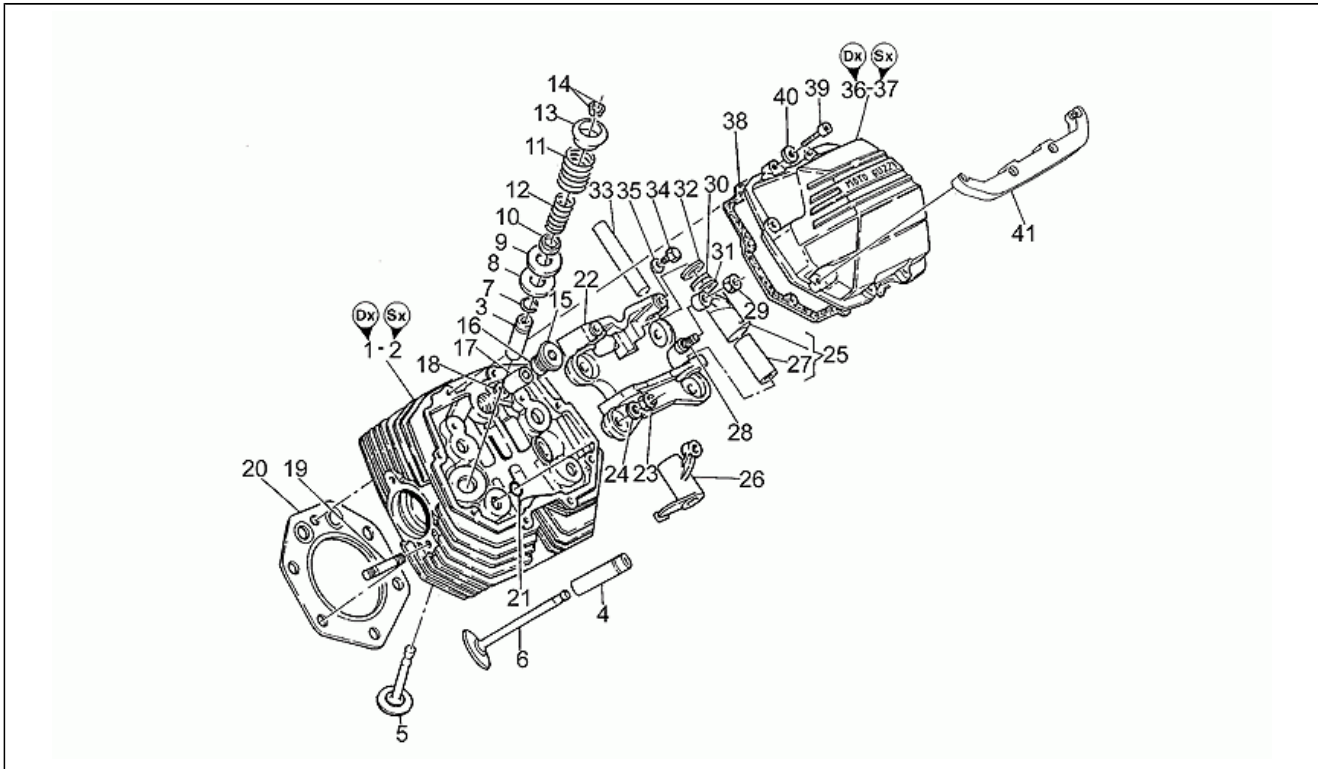


| | |
|--------------------|-----------------|
| Assembly | ENGINE |
| Code | 34.53 |
| Description | Cylinder head I |
| Revision | 1 |



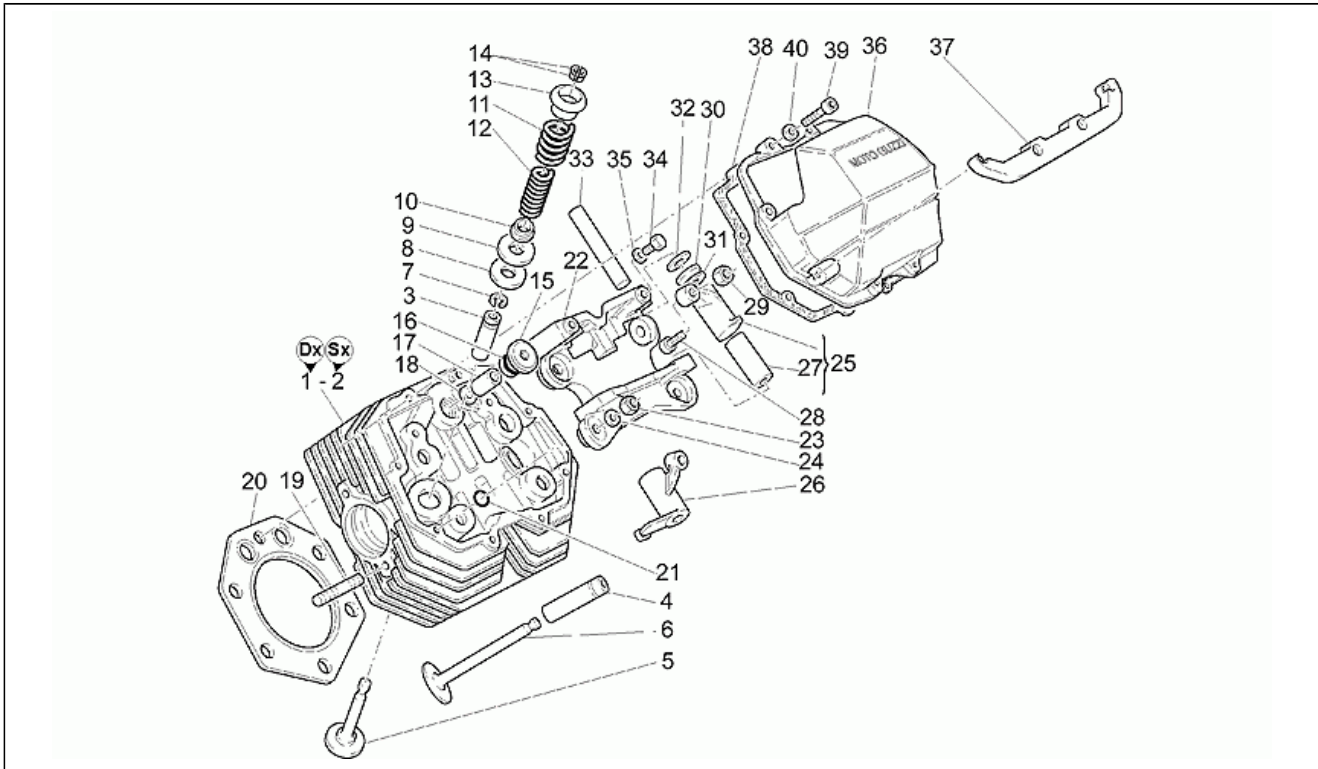
| Pos. | Code | Description | Q.ty | Variants |
|------|------------|---------------------------------|------|---|
| 1 | GU30022160 | RH head assy w/h valve grey | 1 | Technical Specifications: Until frame KD115749[T3] |
| 2 | GU30022260 | LH head assy without valve grey | 1 | Technical Specifications: Until frame KD115749[T3] |
| 3 | GU13036801 | Exhaust valve guide | 2 | |
| 4 | GU14036860 | Intake valve guide | 2 | |
| 5 | GU30036110 | Exhaust valve | 2 | |
| 6 | GU30036010 | Intake valve | 2 | |
| 7 | GU90353016 | Snap ring | 4 | |
| 8 | GU13037200 | Washer 14,2x31x1 | 4 | |
| 9 | GU14037300 | Washer 14,2x31x0,3 | 10 | |
| 10 | GU13037000 | Lower cup | 4 | |
| 11 | GU13037400 | Outer spring | 4 | |
| 12 | GU13037600 | Inner spring | 4 | |
| 13 | GU14038000 | Upper cup | 4 | |
| 14 | GU12038100 | Valve half-cone | 8 | |
| 15 | GU12022600 | Oil plug | 2 | |
| 16 | GU90706203 | O-ring 20,24X2,62 | 2 | |
| 17 | GU13021900 | Column nut | 2 | |
| 18 | GU95129180 | Washer 10,5X18X0,8 | 2 | |
| 19 | GU96508040 | Stud bolt | 4 | |
| 20 | GU30022060 | Gasket | 2 | |
| 21 | GU90706094 | O-ring 9x2 | 8 | |
| 22 | GU14034865 | Rocker arm support | 2 | |
| 23 | GU92603010 | Nut M10X1,5 | 10 | |
| 24 | GU14018400 | Washer 10,5X21X1 | 10 | |
| 25 | GU14030201 | RH rocker arm assy | 2 | |
| 26 | GU14030401 | LH rocker arm assy | 2 | |
| 27 | GU91111511 | Bush 15x18x43 | 4 | |
| 28 | GU17034050 | Adjuster screw | 4 | |

| | |
|--------------------|-----------------|
| Assembly | ENGINE |
| Code | 34.53 |
| Description | Cylinder head I |
| Revision | 1 |



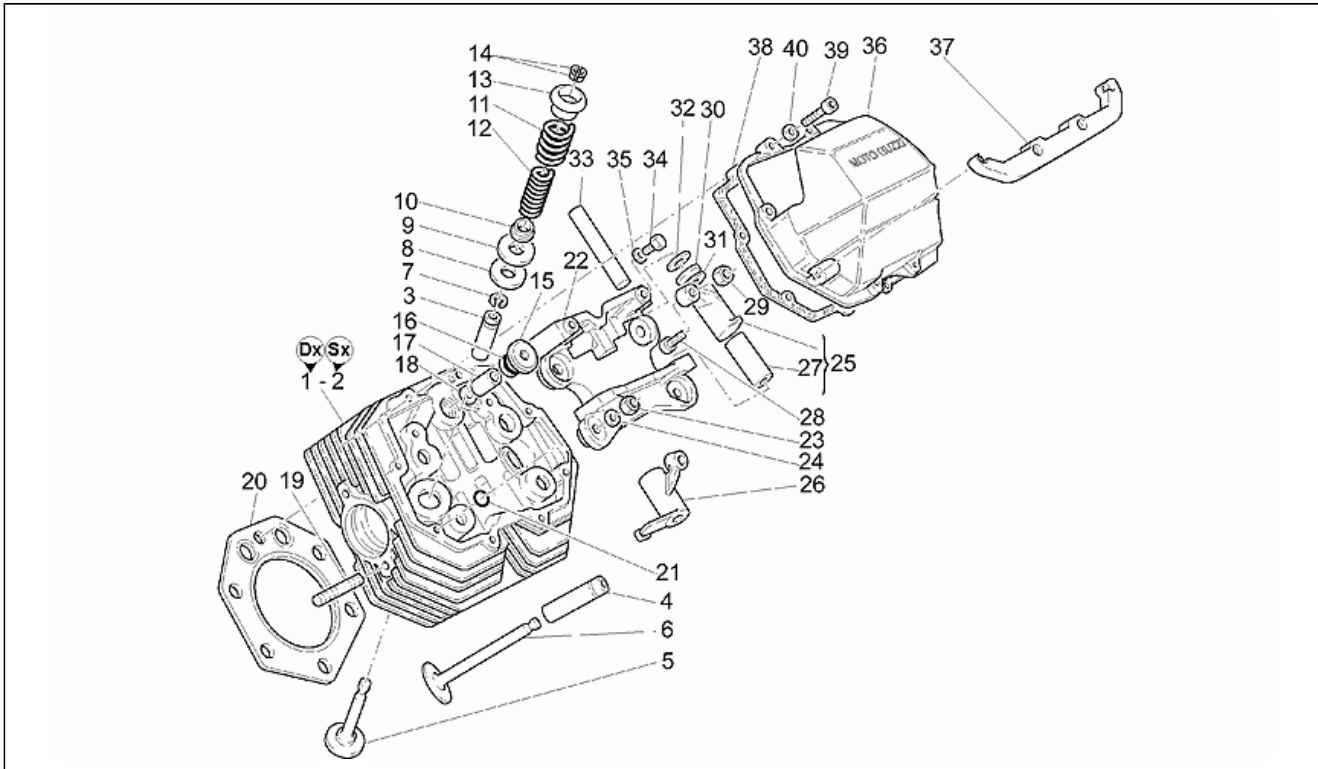
| Pos. | Code | Description | Q.ty | Variants |
|------|------------|---------------------------|------|----------|
| 29 | GU10034100 | Nut | 4 | |
| 30 | GU94322215 | Spring | 4 | |
| 31 | GU90118152 | Washer 15,2x26x1 | 8 | |
| 32 | GU10032700 | Washer 15,2x26x0,5 | 4 | |
| 33 | GU12031800 | Rocker shaft | 4 | |
| 34 | GU98054316 | Hex screw M6X16 | 4 | |
| 35 | GU95120065 | Washer 6,5x11x2 | 4 | |
| 36 | GU29023550 | Valves cover, stain. | 1 | |
| 37 | GU30023670 | RH/LH head cover polished | 1 | |
| 38 | GU14023760 | Cover gasket | 2 | |
| 39 | GU98622325 | Hex socket screw M6X25 | 16 | |
| 40 | GU95004206 | Washer 6,15x11x0,8 | 16 | |
| 41 | GU03941000 | Spark plug cover polished | 2 | |

| | |
|--------------------|-----------------|
| Assembly | ENGINE |
| Code | 34.54 |
| Description | Cylinder headII |
| Revision | 1 |



| Pos. | Code | Description | Q.ty | Variants |
|------|------------|---------------------------------|------|--|
| 1 | GU03022130 | RH head assy w/h valve grey | 1 | Technical Specifications: See spare parts comm.n.033 of 2000[03300N], From frame KD115750[T4] |
| 2 | GU30022260 | LH head assy without valve grey | 1 | Technical Specifications: See spare parts comm.n.033 of 2000[03300N], From frame KD115750[T4] |
| 3 | GU13036801 | Exhaust valve guide | 2 | |
| 4 | GU14036860 | Intake valve guide | 2 | |
| 5 | GU03036100 | Exhaust valve | 2 | |
| 6 | GU03036000 | Intake valve | 2 | |
| 7 | GU90353016 | Snap ring | 4 | |
| 8 | GU13037200 | Washer 14,2x31x1 | 4 | |
| 9 | GU14037300 | Washer 14,2x31x0,3 | 10 | |
| 10 | GU13037000 | Lower cup | 4 | |
| 11 | GU13037400 | Outer spring | 4 | |
| 12 | GU13037600 | Inner spring | 4 | |
| 13 | GU14038000 | Upper cup | 4 | |
| 14 | GU12038100 | Valve half-cone | 8 | |
| 15 | GU12022600 | Oil plug | 2 | |
| 16 | GU90706203 | O-ring 20,24X2,62 | 2 | |
| 17 | GU13021900 | Column nut | 2 | |
| 18 | GU95129180 | Washer 10,5X18X0,8 | 2 | |
| 19 | GU96508040 | Stud bolt | 4 | |
| 20 | GU30022060 | Gasket | 2 | |
| 21 | GU90706094 | O-ring 9x2 | 8 | |
| 22 | GU14034865 | Rocker arm support | 2 | |
| 23 | GU92603010 | Nut M10X1,5 | 10 | |
| 24 | GU14018400 | Washer 10,5X21X1 | 10 | |
| 25 | GU14030201 | RH rocker arm assy | 2 | |
| 26 | GU14030401 | LH rocker arm assy | 2 | |

| | |
|--------------------|-----------------|
| Assembly | ENGINE |
| Code | 34.54 |
| Description | Cylinder headII |
| Revision | 1 |



| Pos. | Code | Description | Q.ty | Variants |
|------|------------|---------------------------|------|----------|
| 27 | GU91111511 | Bush 15x18x43 | 4 | |
| 28 | GU17034050 | Adjuster screw | 4 | |
| 29 | GU10034100 | Nut | 4 | |
| 30 | GU94322215 | Spring | 4 | |
| 31 | GU90118152 | Washer 15,2x26x1 | 8 | |
| 32 | GU10032700 | Washer 15,2x26x0,5 | 4 | |
| 33 | GU12031800 | Rocker shaft | 4 | |
| 34 | GU98054316 | Hex screw M6X16 | 4 | |
| 35 | GU95120065 | Washer 6,5x11x2 | 4 | |
| 36 | GU03023530 | RH/LH head cover polished | 2 | |
| 37 | GU03941000 | Spark plug cover polished | 2 | |
| 38 | GU14023760 | Cover gasket | 2 | |
| 39 | GU98622325 | Hex socket screw M6X25 | 16 | |
| 40 | GU95004206 | Washer 6,15x11x0,8 | 16 | |